

COLLECTOR  
RED  
BASE  
GREEN  
EMITTER  
BLACK

FRAME SHOWN THUS  
BUS BAR SHOWN THUS

- R1 120K 5% RESISTOR
- R2 4.7K 5% RESISTOR
- R3 1K 5% RESISTOR
- R4 18K 5% RESISTOR
- R5 2.4K 5% RESISTOR
- R6 680Ω 5% RESISTOR
- R7 56K 5% RESISTOR
- R8 3.3K 5% RESISTOR
- R9 1K 5% RESISTOR
- R10 47CΩ 5% RESISTOR
- R11 82K 5% RESISTOR
- R12 1K 5% RESISTOR
- R13 6.8K 5% RESISTOR
- R14 10K TONE CONTROL
- R15 4.7K 10% RESISTOR
- R16 4.7K 10% RESISTOR
- R17 500K VOLUME CONTROL

- R18 150K 10% RESISTOR
- R19 82K 5% RESISTOR
- R20 15K 5% RESISTOR
- R21 1K 5% RESISTOR
- R22 4.7K 5% RESISTOR
- R23 220K 10% RESISTOR
- R24 2.2K 5% RESISTOR
- R28 8.2K 5% RESISTOR
- R26 150Ω 10% RESISTOR
- R27 150Ω 5% RESISTOR
- R28 330Ω 10% RESISTOR
- R29 100Ω W/W 1W SLIDE RESISTOR
- R30 10Ω 10% RESISTOR
- R31 68Ω W/W 10% 1W RESISTOR
- R32 150Ω 10% RESISTOR
- R33 100Ω W/W 10% 1W RESISTOR
- R34 56K 10% RESISTOR
- R35 0-27Ω W/W RESISTOR

- C1 100 PF 500V MOULDED CAPACITOR
- C2 1μF 200V MOULDED CAPACITOR
- C3 4700 PF CERAMIC CAPACITOR
- C4 .04 μF 200V MOULDED CAPACITOR
- C5 .04 μF 200V MOULDED CAPACITOR
- C6 4700 PF CERAMIC CAPACITOR
- C7 .002 μF MOULDED CAPACITOR
- C8 475 PF 2% MICA CAPACITOR
- C9 .04 μF 200V MOULDED CAPACITOR
- C10 100 PF 5% MICA CAPACITOR
- C11 .04 μF 200V MOULDED CAPACITOR
- C12 15 PF NPO CERAMIC CAPACITOR
- C13 100 PF 5% MICA CAPACITOR
- C14 .04 μF 200V MOULDED CAPACITOR
- C15 1 μF 200V MOULDED CAPACITOR
- C16 .04 μF 200V MOULDED CAPACITOR
- C17 33 PF NPO CERAMIC CAPACITOR

- C18 100 PF 5% MICA CAPACITOR
- C19 100 PF 5% MICA CAPACITOR
- C20 1μF 200V MOULDED CAPACITOR
- C21 .01 μF 400V MOULDED CAPACITOR
- C22 1μF 200V MOULDED CAPACITOR
- C23 .1μF 500V MOULDED CAPACITOR
- C24 .01 μF 400V MOULDED CAPACITOR
- C25 .04 μF 200V MOULDED CAPACITOR
- BC1 500PF BUTTON CERAMIC
- EC1 2μF 12V ELECTRO
- EC2 100μF 12V ELECTRO
- EC3 2μF 12V ELECTRO
- EC4 2μF 12V ELECTRO
- EC5 50μF 12V ELECTRO
- EC6 25μF 12V ELECTRO
- EC7 75μF 12V ELECTRO
- EC8 75μF 12V ELECTRO
- EC9 500μF 15V ELECTRO

- T1 2 PLATE TRIMMER
- T2 3-30 PF AIR TRIMMER
- T3 2 PLATE TRIMMER
- T4 3-30 PF AIR TRIMMER
- G1 3 GANG TUNING CAPACITOR
- G2 10-450 PF
- G3

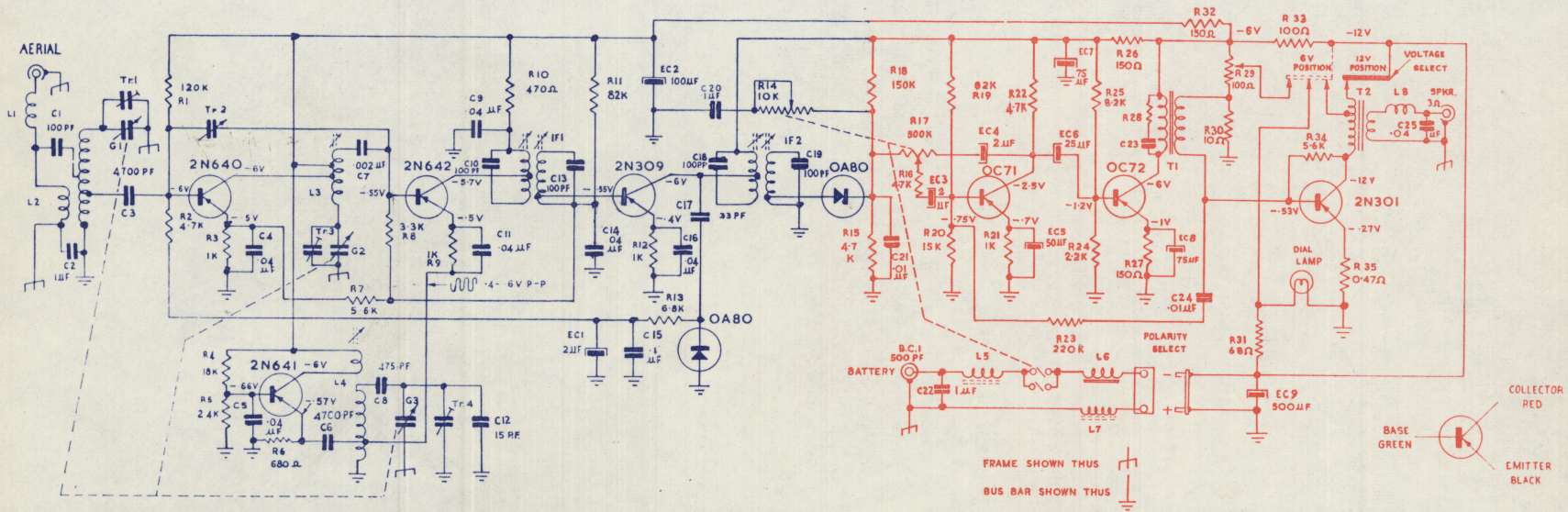
- IF1 LE TRANSFORMER
- IF2 TYPE 918
- T1 DRIVER TRANS TYPE 528
- T2 OUTPUT TRANS TYPE 438
- DIAL LAMP TYPE 7994H
- 7.2V 0.1AMR MBC
- L1 AERIAL CHOKE TYPE L210
- L2 AERIAL COIL TYPE 718
- L3 COIL TYPE 728
- L4 OSC COIL TYPE 738
- L5 FERRITE CORED CHOKE TYPE 828
- L6 LT FILTER CHOKE TYPE 818
- L7 FERRITE CORED CHOKE TYPE 828
- L8 AIR CORED CHOKE 859

BAND COVERAGE 530-1620 KC/S  
IF FREQUENCY 455 KC  
TOTAL BATTERY CURRENT AT 700 MVA INPUT  
TOTAL BATTERY CURRENT AT 14V DC  
COLLECTOR CURRENT 56.0 P  
STAGE 1: 700 MA AT 6V INPUT  
(ADJUST R29)  
COLLECTOR CURRENT AT 12V: 500 MA APPROX  
- NO ADJUSTMENT

NOTE: ALL VOLTAGES CHECKED WITH 40,000 Ω P.V. METER AT ZERO SIGNAL INPUT

DO NOT OPERATE SET WITHOUT SPEAKER CONNECTED

## FERRIS ALL TRANSISTOR CAR RADIO MODEL 136



- R1 120K 5% RESISTOR
- R2 4.7K 5% RESISTOR
- R3 1K 5% RESISTOR
- R4 10K 5% RESISTOR
- R5 2.4K 5% RESISTOR
- R6 680Ω 5% RESISTOR
- R7 5.6K 5% RESISTOR
- R8 3.3K 5% RESISTOR
- R9 1K 5% RESISTOR
- R10 10K TONE CONTROL #
- R11 82K 5% RESISTOR
- R12 1K 5% RESISTOR
- R13 6.8K 5% RESISTOR
- R14 10K TONE CONTROL #
- R15 4.7K 10% RESISTOR
- R16 4.7K 10% RESISTOR
- R17 500K VOLUME CONTROL #

- R18 150K 10% RESISTOR
- R19 82K 5% RESISTOR
- R20 15K 5% RESISTOR
- R21 1K 5% RESISTOR
- R22 4.7K 5% RESISTOR
- R23 220Ω 5% RESISTOR
- R24 2.2K 5% RESISTOR
- R25 8.2K 5% RESISTOR
- R26 150Ω 10% RESISTOR
- R27 150Ω 5% RESISTOR
- R28 330Ω 10% RESISTOR
- R29 100Ω W/W IW SLIDE RESISTOR
- R30 10Ω 10% RESISTOR
- R31 68Ω W/W 10% IW RESISTOR
- R32 150Ω 10% RESISTOR
- R33 100Ω W/W 10% IW RESISTOR
- R34 5.6K 10% RESISTOR
- R35 0.47Ω W/W RESISTOR

- C1 100 PF 60V MOULDED CAPACITOR
- C2 1μF 200V MOULDED CAPACITOR
- C3 4700PF CERAMIC CAPACITOR
- C4 0.4μF 200V MOULDED CAPACITOR
- C5 0.2μF 200V MOULDED CAPACITOR
- C6 4700 PF CERAMIC CAPACITOR
- C7 0.02μF 50V MOULDED CAPACITOR
- C8 475 PF 2% MICA CAPACITOR
- C9 0.4μF 200V MOULDED CAPACITOR
- C10 100PF 5% MICA CAPACITOR
- C11 0.4μF 200V MOULDED CAPACITOR
- C12 15 PF NPO CERAMIC CAPACITOR
- C13 100PF 5% MICA CAPACITOR
- C14 0.4μF 200V MOULDED CAPACITOR
- C15 1μF 200V MOULDED CAPACITOR
- C16 0.4μF 200V MOULDED CAPACITOR
- C17 33 PF NPO CERAMIC CAPACITOR

- C18 100 PF 6% MICA CAPACITOR
- C19 100 PF 5% MICA CAPACITOR
- C20 1μF 200V MOULDED CAPACITOR
- C21 0.1μF 400V MOULDED CAPACITOR
- C22 1μF 200V MOULDED CAPACITOR
- C23 1μF 200V MOULDED CAPACITOR
- C24 0.1μF 400V MOULDED CAPACITOR
- C25 0.4μF 200V MOULDED CAPACITOR
- BC1 500PF BUTTON CERAMIC
- EC1 2μF 12V ELECTRO
- EC2 100μF 12V ELECTRO
- EC3 2μF 12V ELECTRO
- EC4 2μF 12V ELECTRO
- EC5 50μF 12V ELECTRO
- EC6 25μF 12V ELECTRO
- EC7 75μF 12V ELECTRO
- EC8 75μF 12V ELECTRO
- EC9 500μF 15V ELECTRO

- TR1 2 PLATE TRIMMER
- TR2 3-30 PF AIR TRIMMER
- TR3 2 PLATE TRIMMER
- TR4 3-30PF AIR TRIMMER
- G1 3 GANG TUNING CAPACITOR 10-450 PF
- G2
- L1 AERIAL CHOKE TYPE L210
- L2 AERIAL COIL TYPE 719
- L3 RF COIL TYPE 729
- L4 OSC. COIL TYPE 739
- L5 FERRITE CORED CHOKE TYPE 828
- L6 LT FILTER CHOKE TYPE 818
- L7 FERRITE CORED CHOKE TYPE 828
- L8 AIR CORED CHOKE 859

- IF1 LE TRANSFORMER
- IF2 TYPE 919
- T1 DRIVER TRANS. TYPE 528
- T2 OUTPUT TRANS. TYPE 438
- DIAL LAMP TYPE 7994B 72V 0.1AMR MBC

BAND COVERAGE 530 - 1620 KC/S  
 IF FREQUENCY 455 KC  
 TOTAL BATTERY CURRENT AT 7V INPUT  
 TOTAL BATTERY CURRENT AT 14V INPUT  
 COLLECTOR CURRENT OF O/P STAGE = 700 MA AT 6V INPUT (ADJUST R29)  
 COLLECTOR CURRENT AT 12V = 500 MA APPROX  
 - NO ADJUSTMENT

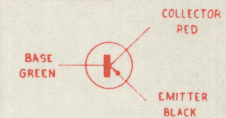
NOTE: ALL VOLTAGES CHECKED WITH 40,000 Ω P.V. METER AT ZERO SIGNAL INPUT

DO NOT OPERATE SET WITHOUT SPEAKER CONNECTED

■ CONCENTRIC POTENTIOMETER

ALL RESISTORS 1/4 WATT RATING UNLESS OTHERWISE STATED

FRAME SHOWN THUS  
 BUS BAR SHOWN THUS



FERRIS ALL TRANSISTOR CAR RADIO MODEL 136