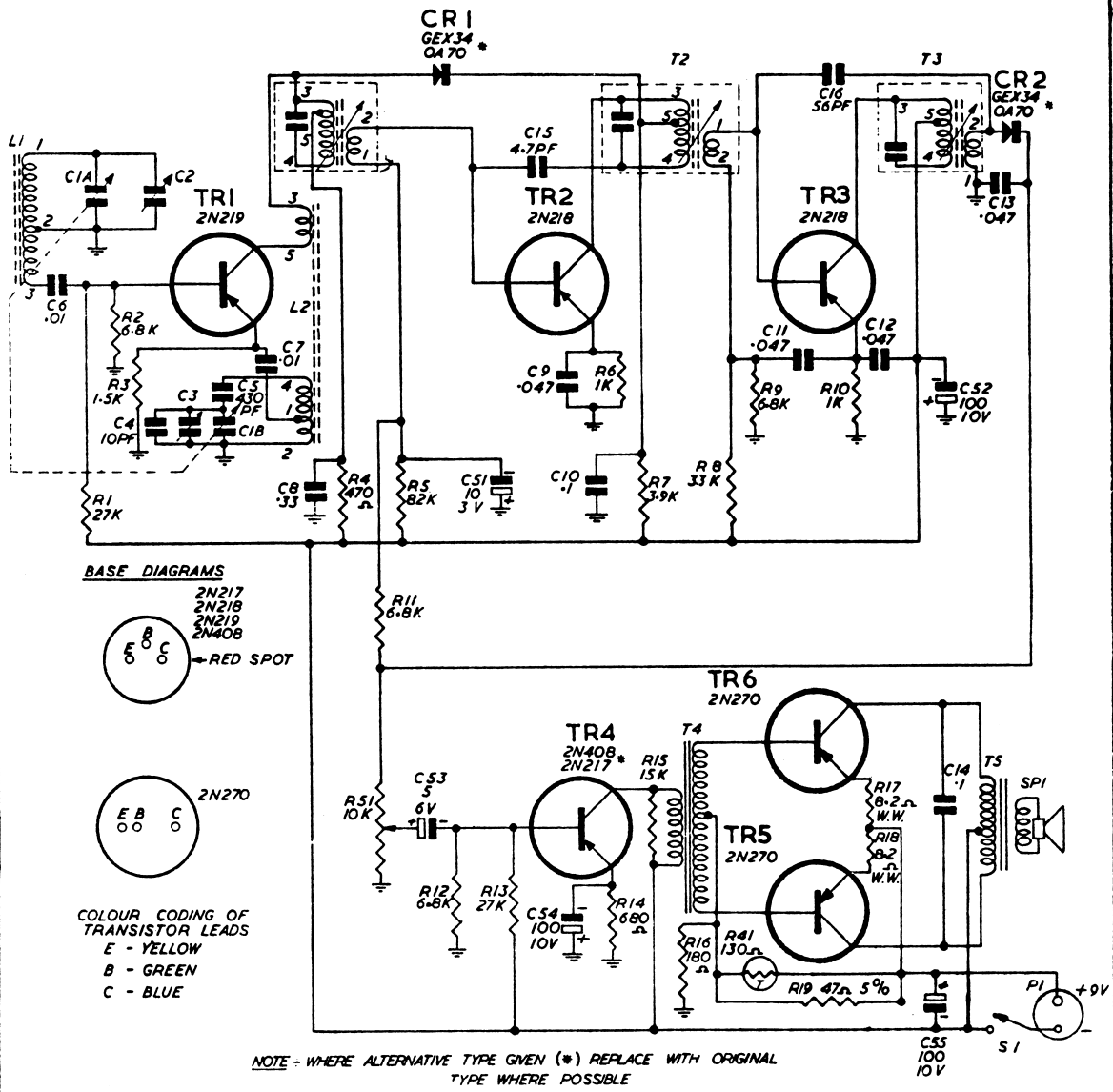
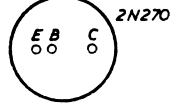
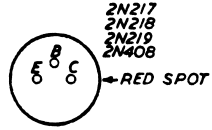


HEALING

MODEL 601 T



BASE DIAGRAMS



COLOUR CODING OF TRANSISTOR LEADS
 E - YELLOW
 B - GREEN
 C - BLUE

NOTE - WHERE ALTERNATIVE TYPE GIVEN (*) REPLACE WITH ORIGINAL TYPE WHERE POSSIBLE

COMPONENTS LIST

CIRCUIT NO.	DESCRIPTION
L1	Aerial Coil, Type RJ 138.
L2	Oscillator Coil, Type RJ 139.
R41	Thermal Resistor (N.T.C.), 130 Ohm.
SP1	Speaker, Type 4C.
T1, T2	I.F. Transformer, Type RJ 140.
T3	I.F. Transformer, Type RJ 141.
T4	Driver Transformer, Type DR7.
T5	Output Transformer, Type TR4.