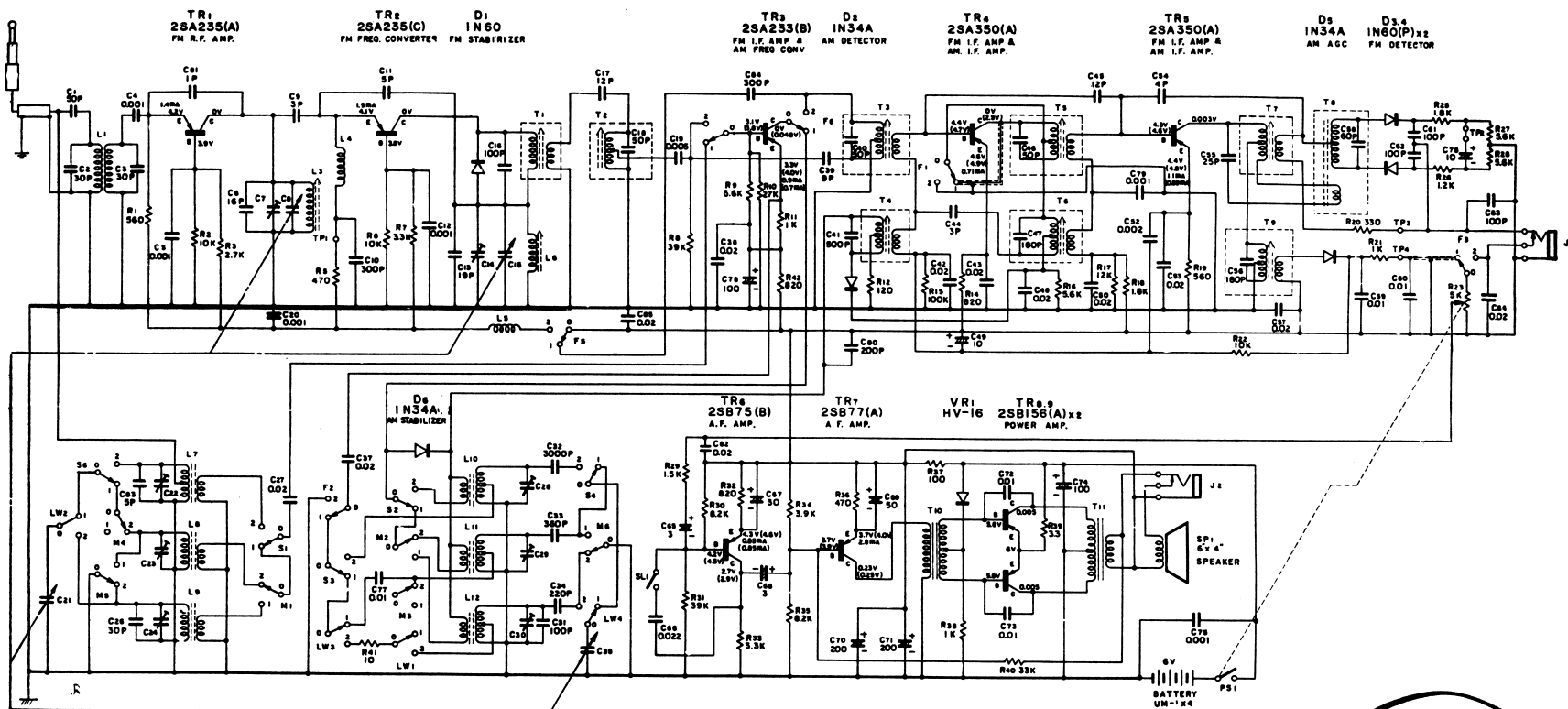


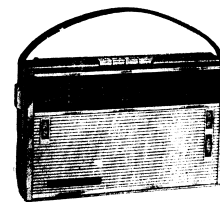
CIRCUIT DIAGRAM



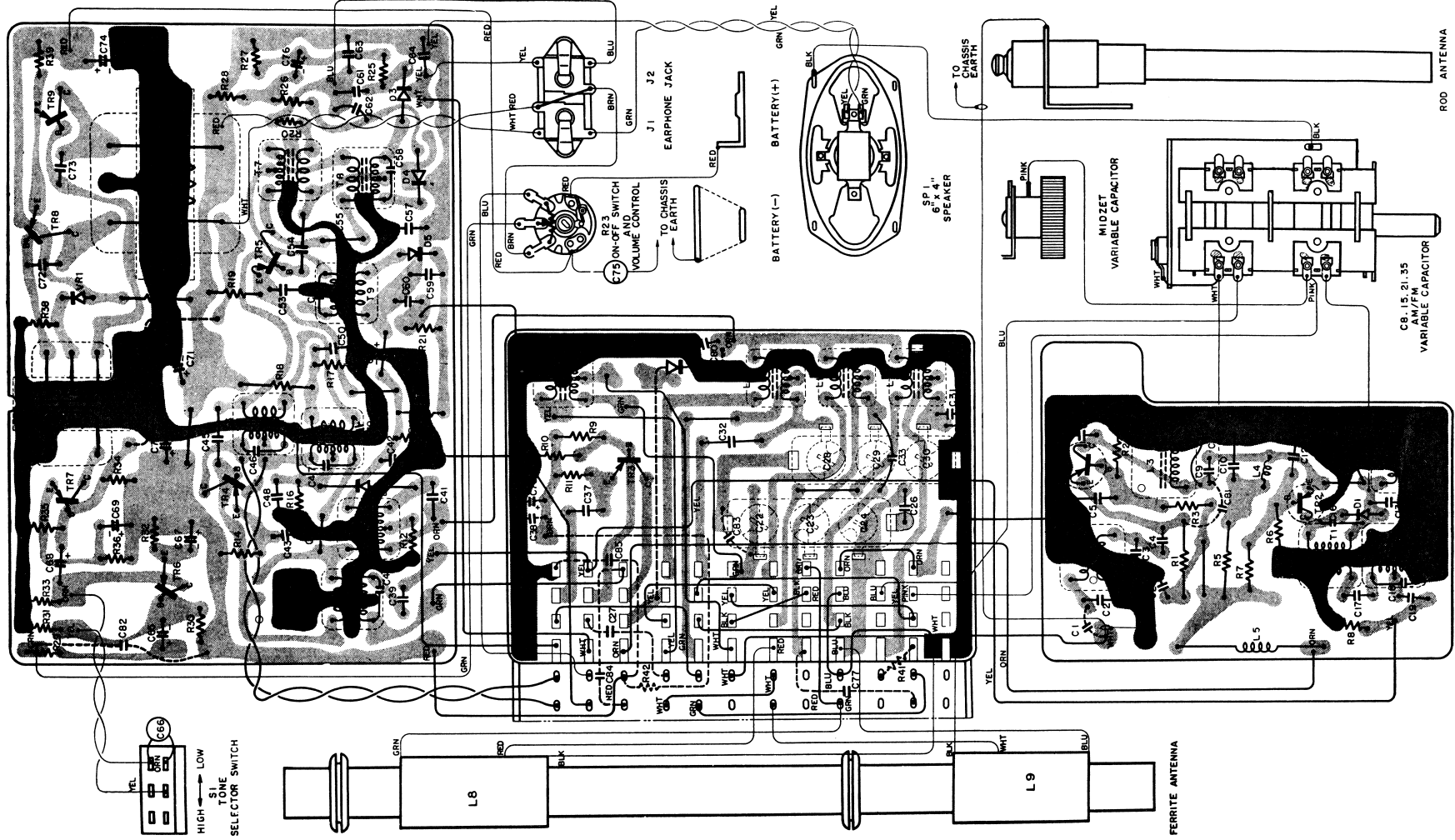
- NOTES: 1. Units Ω and μF are omitted.
 2. The voltage are adjusted the distance of each electrode and earth terminal (-).
 3. The voltage () shows the condition of AM
 4. T_{10} direct current resistance
 5. T_{11} direct current resistance

PRI.	68 Ω
SEC.	88 Ω

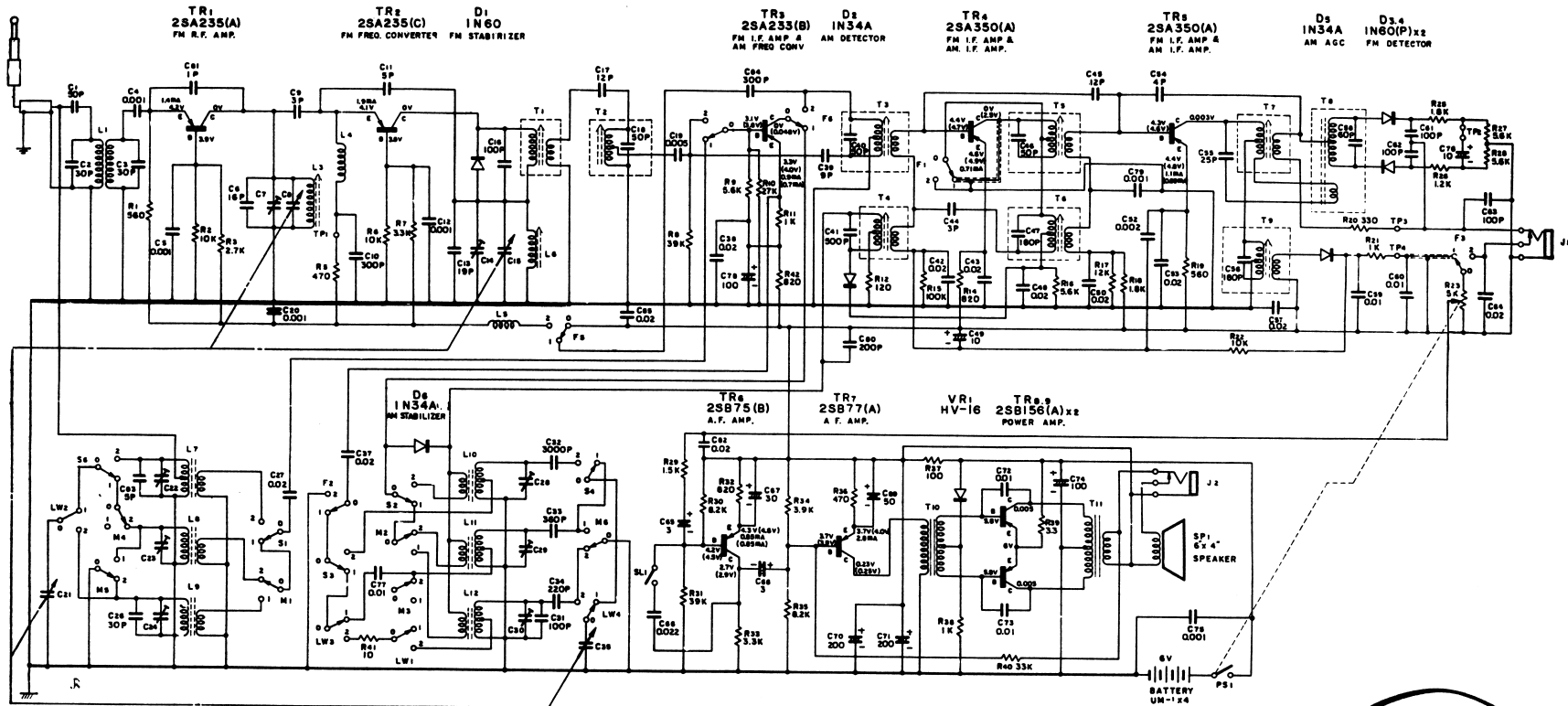
PRI.	3.3 Ω
SEC.	0.4 Ω



CIRCUIT BOARD DIAGRAM



CIRCUIT DIAGRAM



- NOTES: 1. Units Ω and μF are omitted.
 2. The voltage are adjusted the distance of each electrode and earth terminal (-).
 3. The voltage () shows the condition of AM
 4. T_{10} direct current resistance
 5. T_{11} direct current resistance

PRI.	68 Ω
SEC.	88 Ω

PRI.	3.3 Ω
SEC.	0.4 Ω

