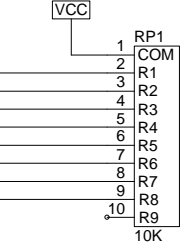
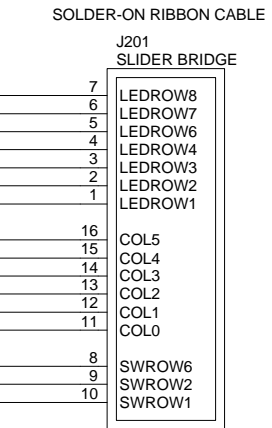
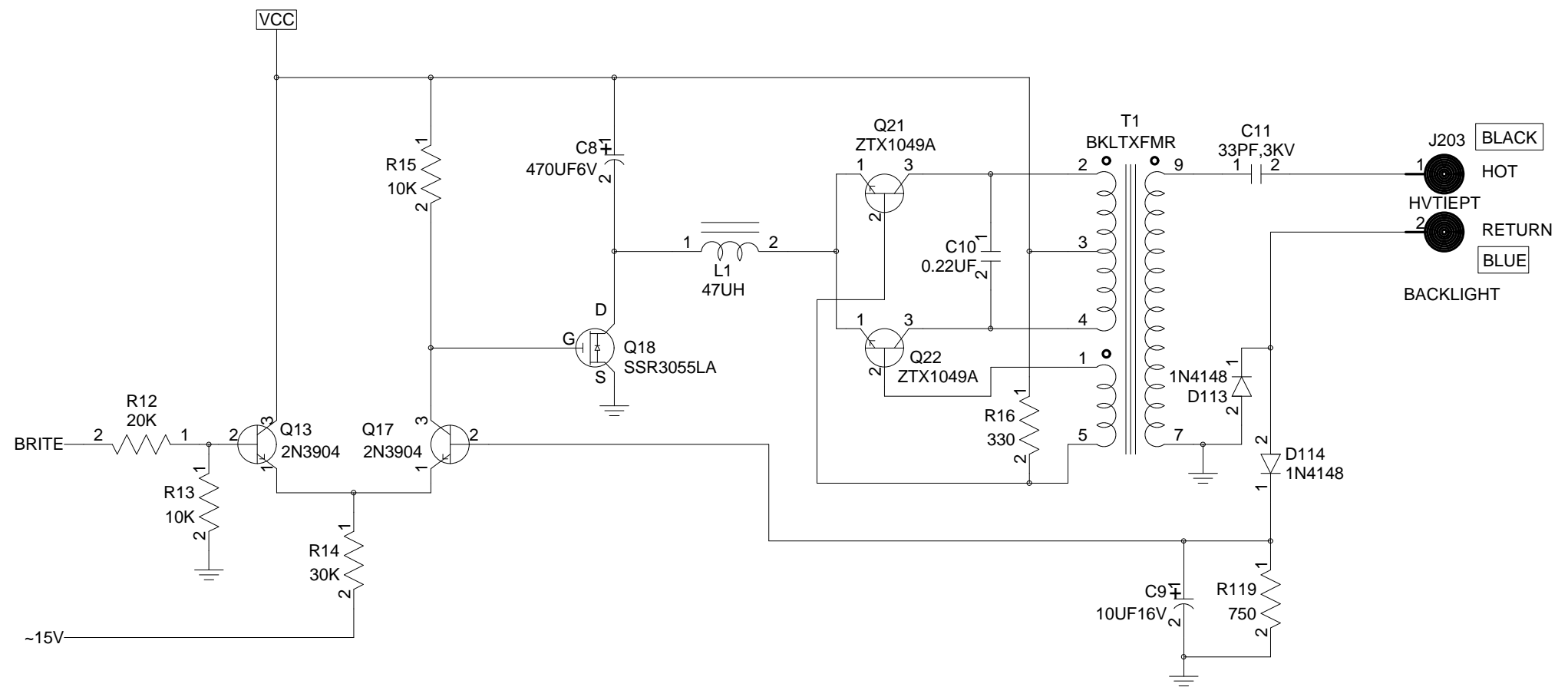


NOTE: HANGING WIRES COMPLETE THE MATRIX



YOUNG CHANG CO., LTD.
 Reproduction without the express written consent of Young Chang Co., Ltd. is prohibited.
K2661 FRONT PANEL BUTTONS AND LEDS
 Filename: K266FPA1 Date: 9/22/03
 Eng: By: H. CHAMBERLIN
 Mfg: Sht 1 of 2
 Doc: 021285-11 Rev: A VER 1



YOUNG CHANG CO., LTD.	
Reproduction without the express written consent of Young Chang Co., Ltd. is prohibited.	
K2661 FRONT PANEL BACKLIGHT INVERTER	
Filename: K266FPA1	Date: 9/22/03
Eng:	By: H. CHAMBERLIN
Mfg:	Sht 2 of 2
Doc: 021285-11	Rev: A VER 1