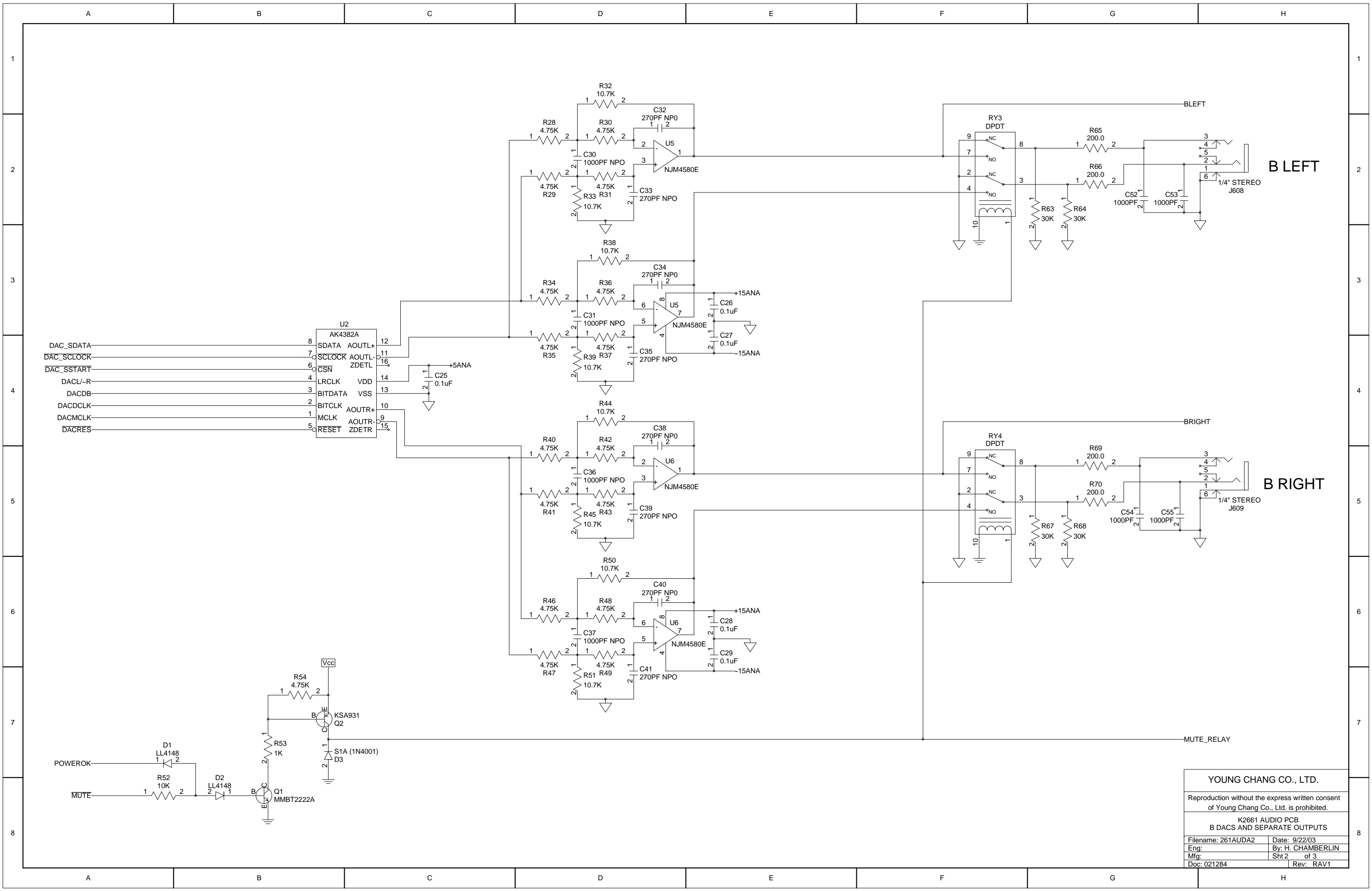


AK4382A DEFAULT CONFIGURATION:
 48KS/S
 MCLK=512FS
 24 BIT MSB JUSTIFIED
 DEEMPHASIS OFF
 VOLUME=MAXIMUM
 SHARP ROLLOFF FILTER

PLACE R-C TERMINATORS NEAR J601

YOUNG CHANG CO., LTD.	
Reproduction without the express written consent of Young Chang Co., Ltd. is prohibited.	
K2661AUDIO PCB A DACS AND SEPARATE OUTPUTS	
Filename: 261AUDA2	Date: 9/22/03
Eng:	By: H. CHAMBERLIN
Mfg:	Sht 1 of 3
Doc: 021284	Rev: RAV1

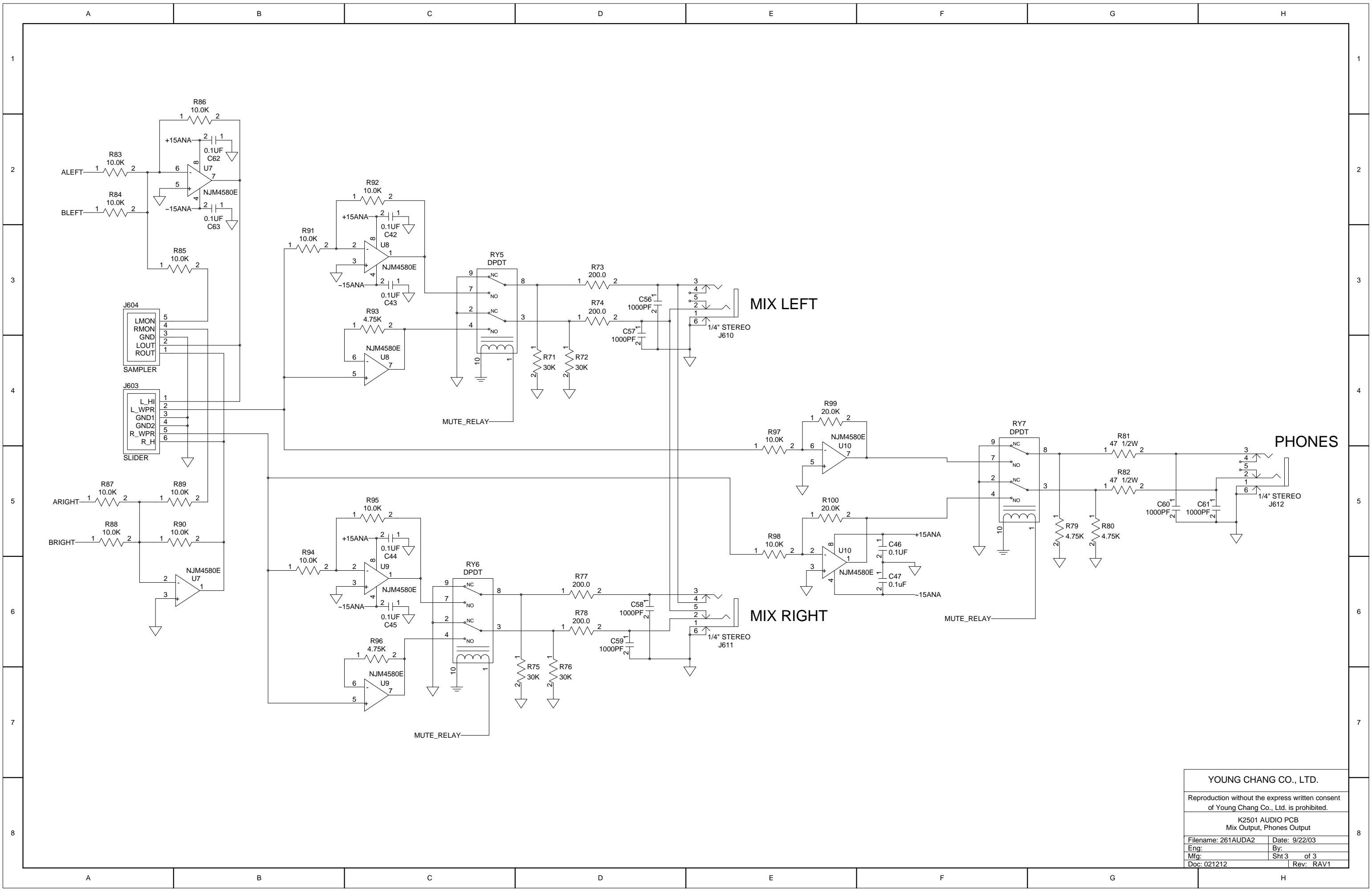


YOUNG CHANG CO., LTD.

Reproduction without the express written consent
of Young Chang Co., Ltd. is prohibited.

K2661 AUDIO PCB
B DACS AND SEPARATE OUTPUTS

Filename: 261AUDA2	Date: 9/22/03
Eng:	By: H. CHAMBERLIN
Mfg:	Sht 2 of 3
Doc: 021284	Rev: RAV1



YOUNG CHANG CO., LTD.
 Reproduction without the express written consent
 of Young Chang Co., Ltd. is prohibited.
 K2501 AUDIO PCB
 Mix Output, Phones Output
 Filename: 261AUDA2 Date: 9/22/03
 Eng: By:
 Mfg: Sht 3 of 3
 Doc: 021212 Rev: RAV1