

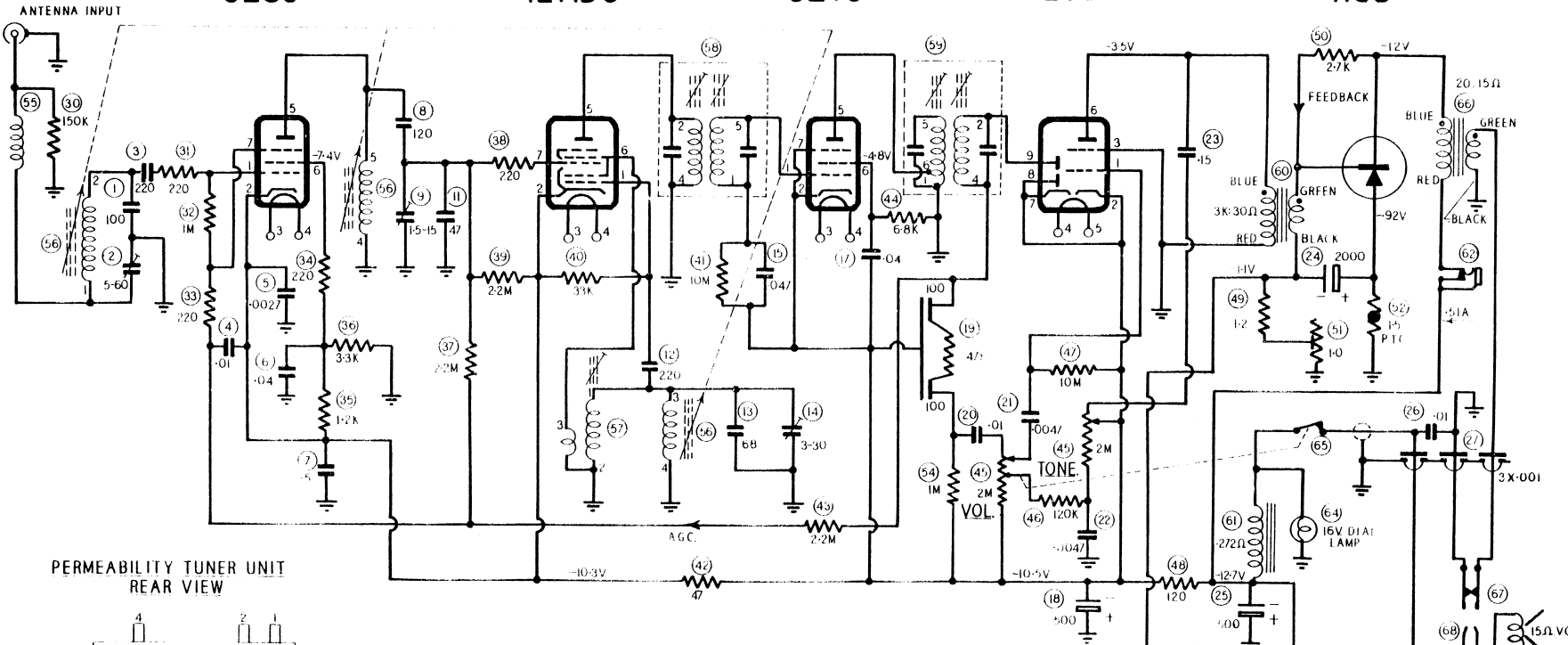
6ES6

12AD6

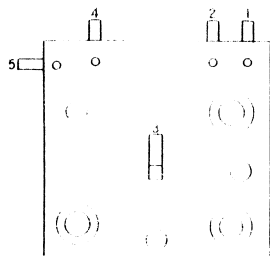
6ET6

12J8

1138



PERMEABILITY TUNER UNIT REAR VIEW



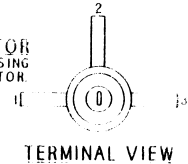
I.F. - 455Kc.

POWER TRANSISTOR UNDERSIDE VIEW

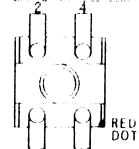
EMITTER  
BASE



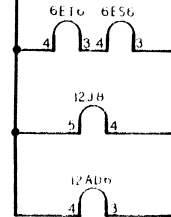
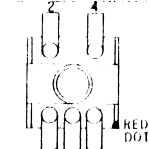
OSC. SHUNT COIL



1ST I.F. TRANS



2ND I.F. TRANS



NUMBERS ASSIGNED TO TERMINALS OF COILS AND TRANSFORMERS ARE TO FACILITATE CIRCUIT TRACING OR COMPONENT REPLACEMENT AND MAY NOT BE FOUND ON THE UNIT

MODEL-JYR  
POSITIVE TO CHASSIS

MANUAL TUNING

IMPORTANT REFER TO SERVICE BULLETIN JYR-1 FOR INSTRUCTIONS BEFORE ADJUSTING COLLECTOR CURRENT OF 1138.

PB1125