

D

D

C

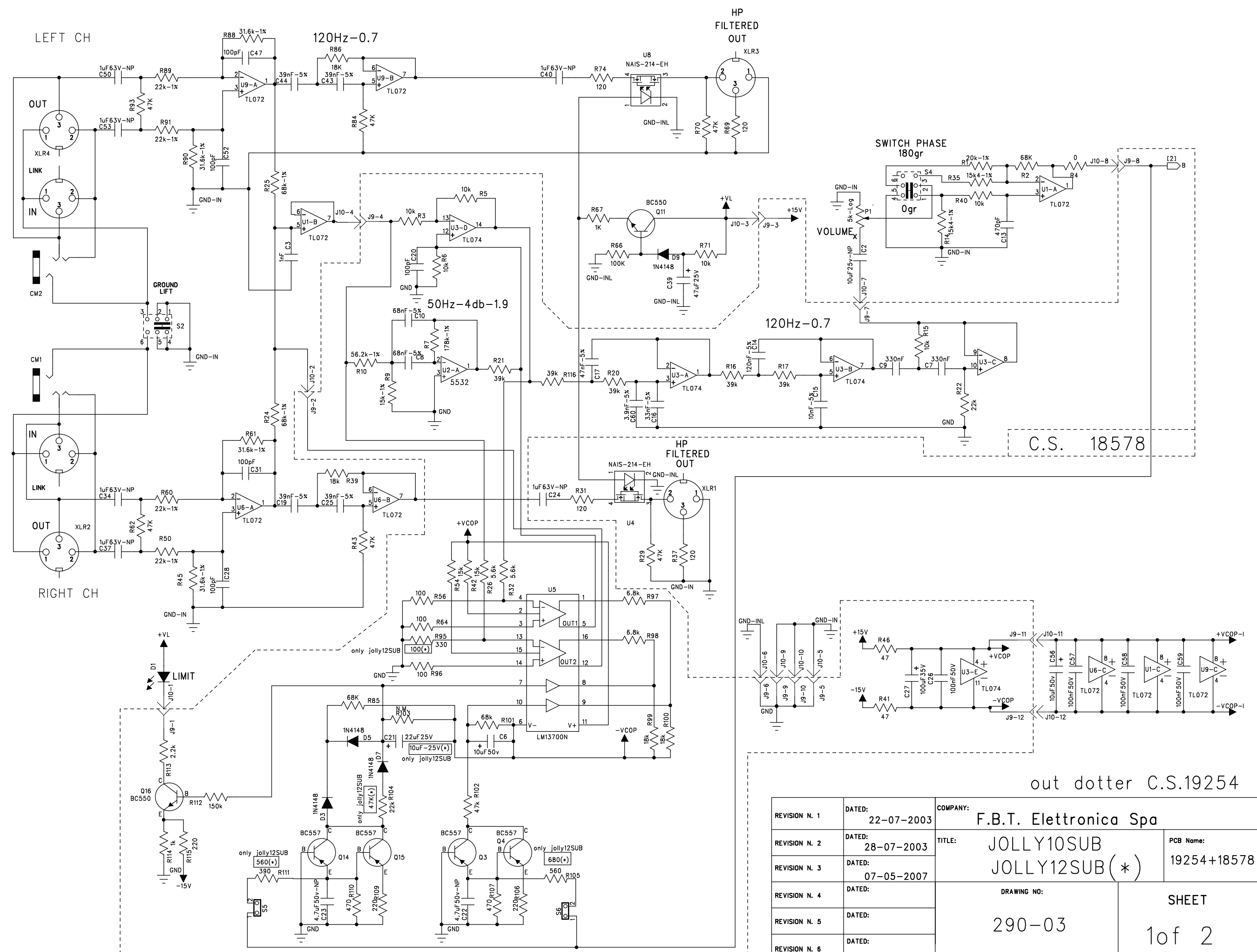
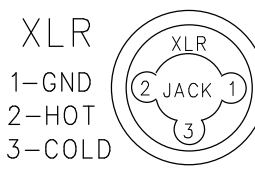
C

B

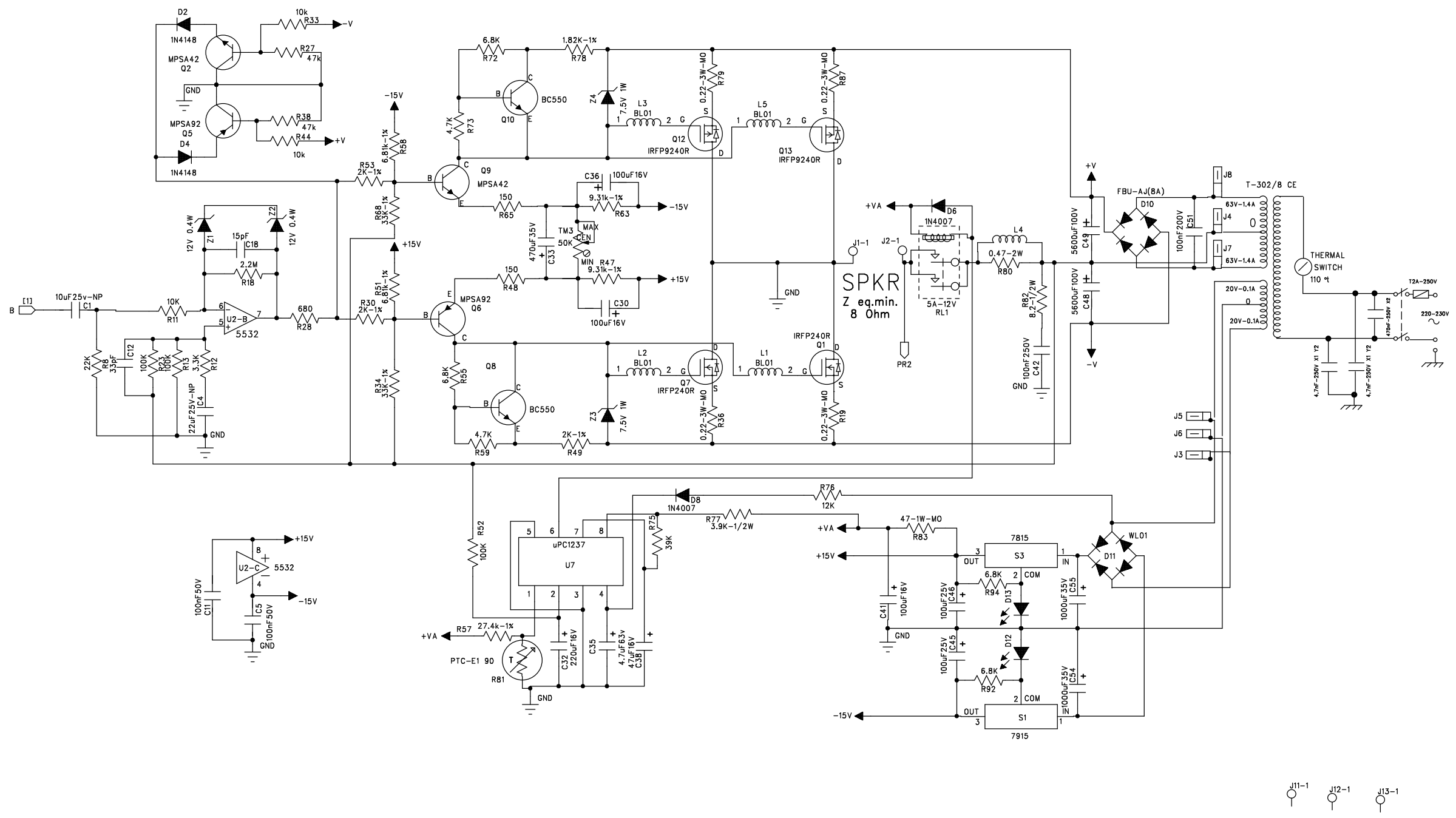
B

A

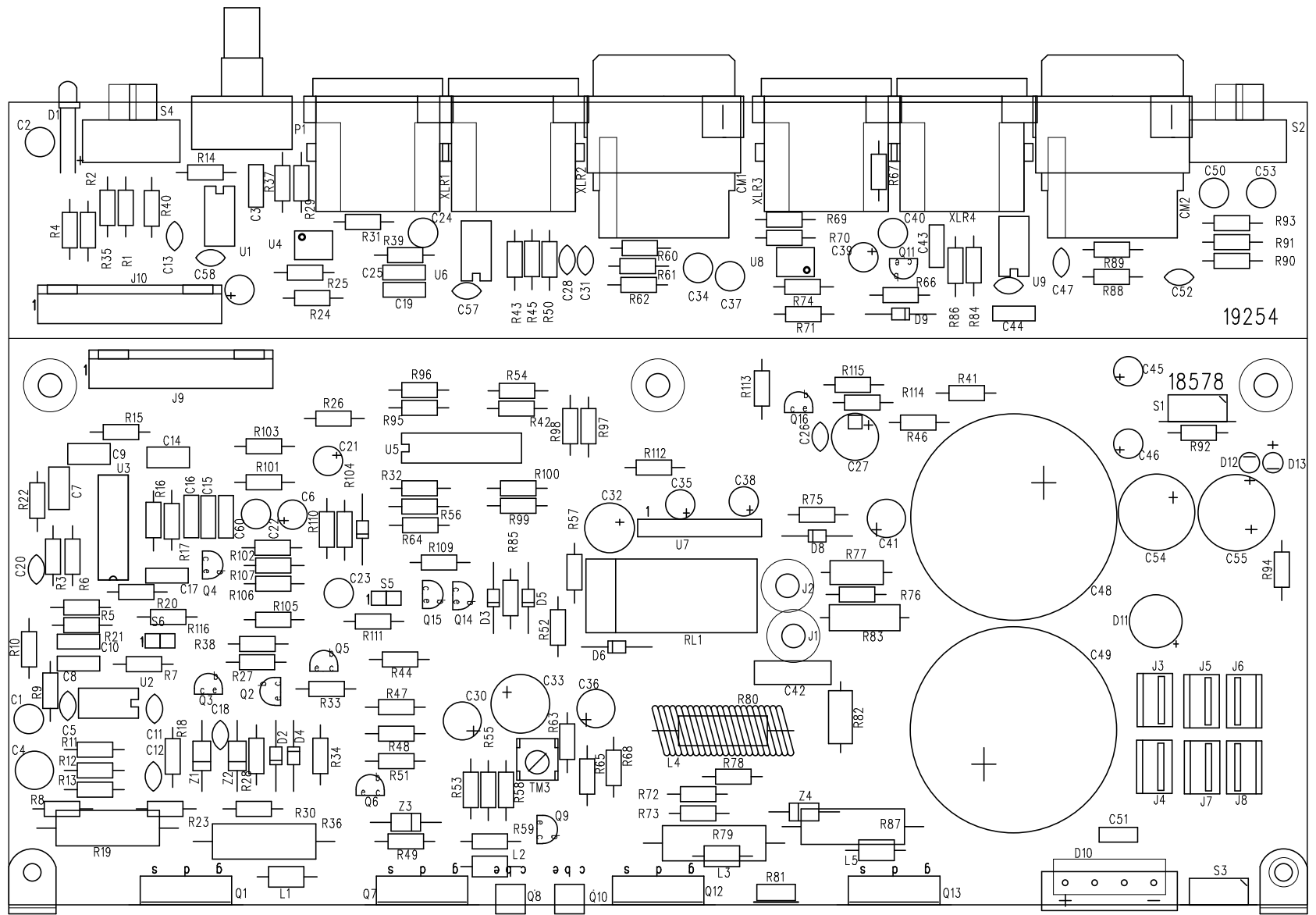
A



REVISION N. 1	DATED: 22-07-2003	COMPANY: F.B.T. Elettronica Spa	
REVISION N. 2	DATED: 28-07-2003	TITLE: JOLLY10SUB	PCB Name: 19254+18578
REVISION N. 3	DATED: 07-05-2007	TITLE: JOLLY12SUB (*)	
REVISION N. 4	DATED:	DRAWING NO:	
REVISION N. 5	DATED:	290-03	
REVISION N. 6	DATED:	SHEET 10f 2	



REVISION N. 1	DATED: 22-07-2003	COMPANY: F.B.T. Elettronica Spa	
REVISION N. 2	DATED: 01-10-2003	TITLE: JOLLY10SUB	PCB Name: 18578
REVISION N. 3	DATED: 07-07-2004	JOLLY12SUB (*)	
REVISION N. 4	DATED:	DRAWING NO:	SHEET
REVISION N. 5	DATED:	290-03	2 of 2
REVISION N. 6	DATED:		



19254

18578