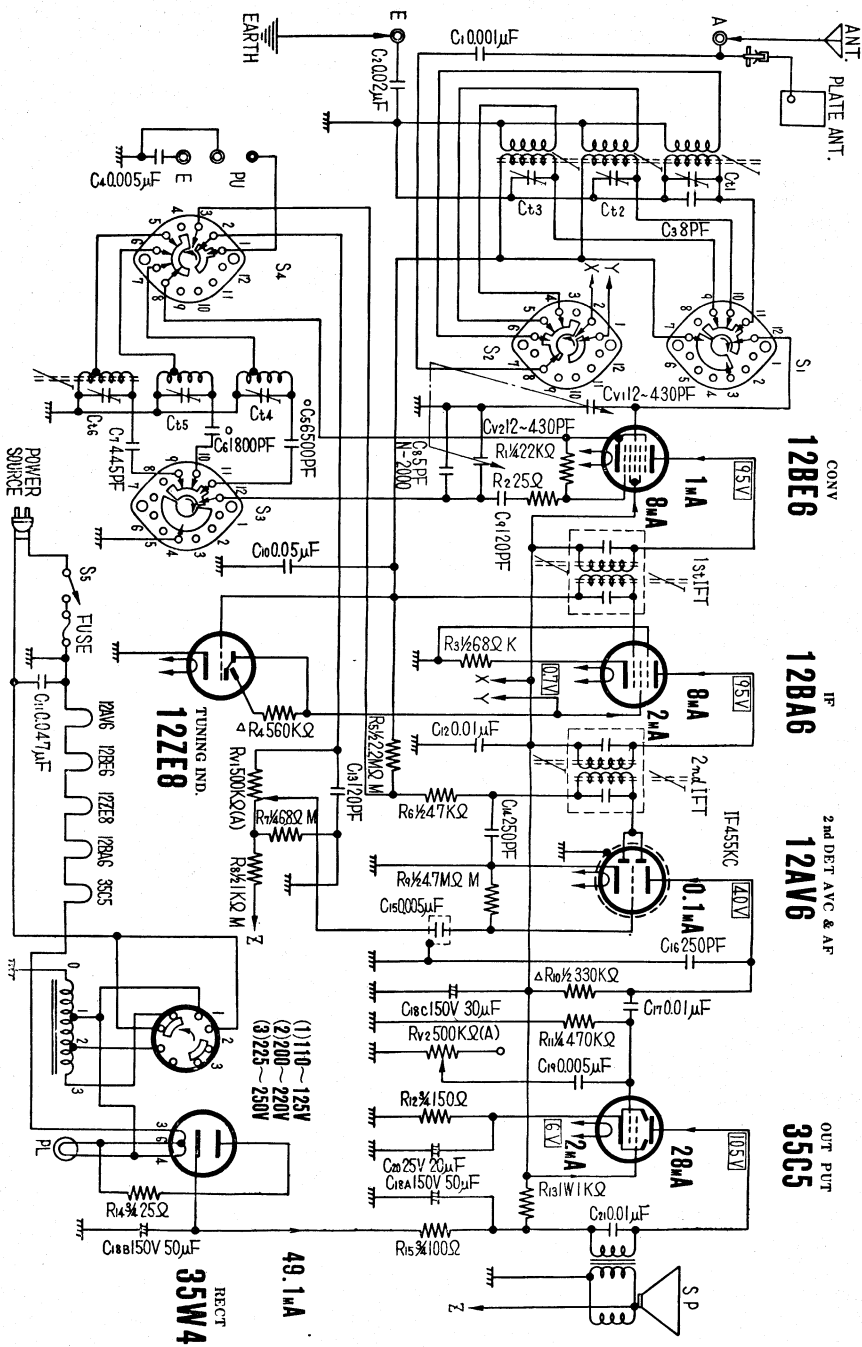


NATIONAL MODEL GU-362

SCHEMATIC DIAGRAM



NOTES:

-Styrol capacitor
- △.....Solid resistor
- C₁~C₆ Trimmer 6~20PF
- Band selector (S₁~S₅) shown in phono position and turn to the direction of arrow mark MW band, SW₁ band and SW₂ band.
- C₁₅ 0.005μF—0.01μF

