

2N412

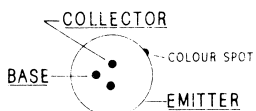
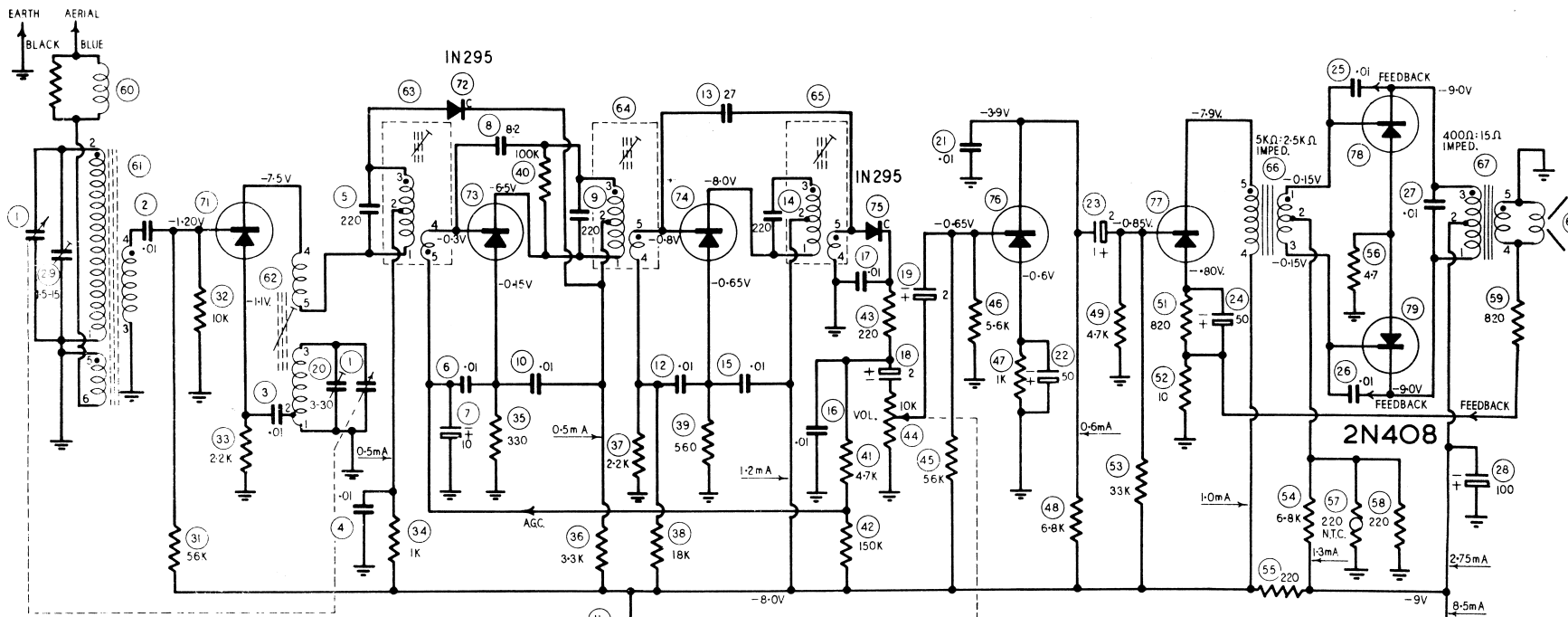
2N410

2N410

2N406

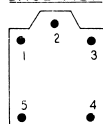
2N406

2N408



TRANSISTOR
UNDERSIDE VIEW

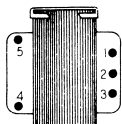
BASE VIEW



OSCILLATOR COIL
& I.F. TRANSFORMER

IF 455Kc/s.

UNDERSIDE VIEW

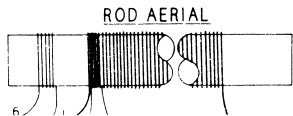
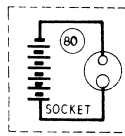


DRIVER & SPEAKER
TRANSFORMER

ALL VOLTAGES MEASURED BETWEEN POINTS INDICATED AND COMMON POSITIVE WITH A D.C. VACUUM TUBE VOLTMETER. (NO SIGNAL)

CURRENTS INDICATED ARE MEASURED WITH AVO MULTIMETER MODEL B. (NO SIGNAL)

NUMBERS ASSIGNED TO TERMINALS OF COILS AND TRANSFORMERS ARE TO FACILITATE CIRCUIT TRACING OR COMPONENT REPLACEMENT AND MAY NOT BE FOUND ON THE UNIT.



MODEL GPN-A

