

**THE QUALITY OF
THIS MANUAL IS
THE BEST THAT
IS AVAILABLE**

***AF Signal Generator
J2C***

FOR SERVICE MANUALS
CONTACT:
MAURITRON TECHNICAL SERVICES
www.mauritron.co.uk
TEL: 01844 - 351694
FAX: 01844 - 352554

FOR SERVICE MANUALS
CONTACT:
MAURITRON TECHNICAL SERVICES

www.mauritron.co.uk
TEL: 01844 - 351694
FAX: 01844 - 352554

Contents

SECTION 1	Introduction	3
SECTION 2	Specification	4
SECTION 3	Operation	5
3.1	Power supply	5
3.2	Frequency	5
3.3	Output impedances	5
3.4	Output level controls	5
SECTION 4	Circuit Description	6
4.1	General	6
4.2	Wein bridge oscillator	6
4.3	Stabilisation circuit TH1 and TH2	6
4.4	Driver amplifier V2	7
4.5	Output circuit	7
4.6	Meter circuit	7
4.7	Power supply circuit	7
SECTION 5	Maintenance	8
5.1	General	8
5.2	Fuse replacement	8
5.3	Valve replacement	8
5.4	Introduction to recalibration	8
5.5	Voltage calibration	8
5.6	Output impedance adjustment	8
5.7	Frequency calibration	9
5.8	Final adjustments	10
SECTION 6	Components List and Circuit Diagram	15
SECTION 7	Guarantee and Service Facilities	16
 Illustrations		
Fig. 1	Functional diagram	6
Fig. 2	Component layout—top view	11
Fig. 3	Component layout—underside view	12
Fig. 4	Circuit diagram	13

Introduct

The Ad
meet the
and incl
and hi-l

The ins
a maxim
The out
and a 2
attenuat
provid

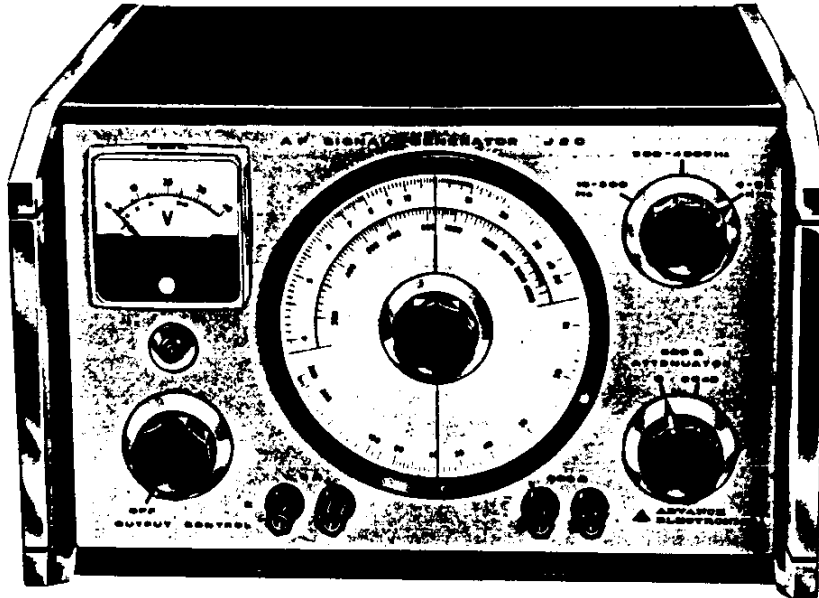
Overall
on func
of a the
control



The Advance AF Signal Generator J2C has been designed primarily to meet the special requirements of telephone and radio service engineers, and includes facilities which are most frequently needed for testing audio and hi-fi equipment.

The instrument has a frequency range of 15Hz to 50kHz and provides a maximum output of one watt with an exceptionally low distortion level. The output impedance is maintained at about 600Ω over the entire range, and a 20dB attenuator can be switched in to provide a higher order of attenuation when required. An alternative 5Ω impedance output is also provided.

Overall distortion at full output above 100Hz is less than 2% (34dB down on fundamental). Any signal within the range is obtained by operation of a three position range switch used in conjunction with a slow motion control and calibrated dial.



FOR SERVICE MANUALS
CONTACT:
MAURITRON TECHNICAL SERVICES

www.mauritron.co.uk
TEL: 01844 - 351694
FAX: 01844 - 352554

Section 2

4 **Specification**

Frequency Ranges

A—4kHz to 50kHz
B—300 Hz to 4kHz
C—15Hz to 300Hz
Accuracy \pm (2% + 1Hz).

Output

Output into 600 Ω 0.1mW to 1W (0.25V to 25V), continuously variable.
Accuracy: \pm (1dB + 1.5% f.s.d.).
Maximum output into 5 Ω greater than 500mW, continuously variable.

Output Impedance

The output impedance approximates to 600 Ω over the whole range. Where closer accuracy is required the 20dB attenuator should be used.

Attenuator

A 20dB 600 Ω attenuator is incorporated. This is a π pad built of close tolerance resistors.
When switched in circuit it provides a more accurate output impedance with a maximum output of 10mW (2.5V).

Distortion

Total harmonic and hum content as compared with fundamental, above 100Hz:
better than 34dB down (2%) at full output
better than 40dB down (1%) at 100mW.
There is a slight increase in distortion below 100Hz, but it is still low, down to 15 Hz.

Power Supplies

105 to 125V, 210 to 250V, a.c. only, 45 to 100Hz.

Consumption

Approximately 40W.

Dimensions (overall)

11" wide, 7 $\frac{1}{2}$ " high, 10 $\frac{1}{2}$ " deep (28 x 19.4 x 27.3 cm).

Weight

19 lb (8.6kg).

Finish

Light blue case and side panels with medium grey frame and light grey front panel.

Op

3.1 /
The
210
For
char
(1)

(2)

The
ear
The

3.2
A s
swi
Co
cer

3.3
Tw
(a

(b

3.4
V
pe
ci

T
be
20
vo
th
T
al

Operation

Section 3 5

3.1 POWER SUPPLY

The instrument is despatched with the supply transformer set to operate at 210 to 250V.

For operation at 105 to 125V the supply transformer tapplings must be changed as follows:

- (1) Remove the wrap-round case by releasing two clips at the rear of the instrument. The supply transformer is located on the left hand side of the chassis behind the OUTPUT CONTROL.
- (2) Remove the connection between tag 2 and tag 3. Connect tag 1 to tag 2, and tag 3 to tag 4.

The instrument is provided with a 3-core cable so that the case may be earthed to the supply earth if desired.
The on-off switch is incorporated in the OUTPUT CONTROL.

3.2 FREQUENCY

A signal of any frequency between 15Hz and 50Hz is set by using the range switch in conjunction with the calibrated dial.
Continuous adjustment is by means of the slow motion control situated centrally on the dial.

3.3 OUTPUT IMPEDANCES

Two alternative output impedances are available as follows:

- (a) A 600Ω output from the right hand pair of red terminals, labelled 600Ω . The accuracy of the output impedance is greatly improved when the 20dB attenuator is in use. These terminals are not earthed, but an earth connection to either terminal can be made if desired.
- (b) A 5Ω output from the black E terminal (an earthing terminal) and the adjacent red terminal. The earthing terminal can be used for general earth connections as required.

3.4 OUTPUT LEVEL CONTROLS

Variation of the output level is accomplished by means of a front panel potentiometer control and a 20dB attenuator which can be switched into circuit.

The output without the 20dB attenuator is that indicated by the meter, there being no increase in distortion if the output is not terminated. When the 20dB attenuator is in circuit and the output is loaded with 600Ω , the output voltage is one-tenth of that indicated. When the load is of high impedance the output voltage is one-fifth of that indicated.

The output level at the 5Ω sockets is controlled by the OUTPUT CONTROL alone, and a maximum output of 500mW is available.

FOR SERVICE MANUALS
CONTACT:
MAURITRON TECHNICAL SERVICES

www.mauritron.co.uk
TEL: 01844 - 351694
FAX: 01844 - 352554

6 **Circuit Description**

Section 4

4.1 GENERAL

A functional diagram of signal generator is shown in Fig. 1, and a circuit diagram for the instrument is shown in Fig. 4. Basically the circuit consists of a Wein bridge type oscillator switched in three ranges, followed by a triode driver stage and tetrode output stage working into the output transformers T1 and T2. Output transformer T2 is used only for the high frequency range A, and is selected by S1. The power supplies are derived from a full-wave rectifier using resistance/capacitance smoothing, and from a low voltage winding supplying the valve heaters.

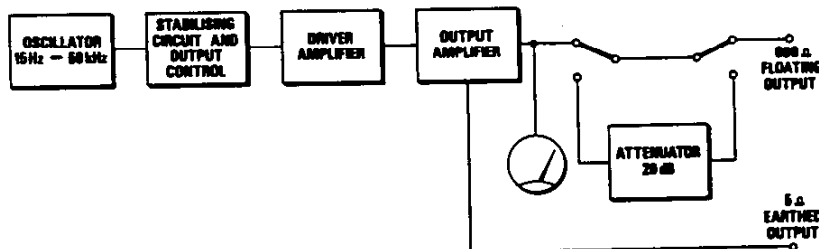


Fig. 1 Functional diagram

4.2 WEIN BRIDGE OSCILLATOR

The series RC elements of the bridge are formed by R4, R5 or R6 and part of the ganged capacitor designated C5, together with the parallel capacitor C4. Parallel RC elements are formed by the other part of the ganged capacitor designated C6 and either R1, R2 or R3. Capacitors C1, C2 and C3 are trimmers across these resistors, required for calibration purposes. R15 is selected during manufacture to provide, in conjunction with R7, a means of frequency calibration at the low frequency end of the range (15Hz).

The common junction of the bridge elements are connected to the V1a/V1b amplifier at the V1b grid. Other bridge connections are made via C8 to V1a anode and via C7 to the V1a cathode circuit. The two sections of V1 are RC coupled from V1b anode to V1a grid. The connection of R11 to the junction of R9 and R10 provides negative feedback to V1a, and automatic bias is produced by the cathode resistors R9 and R10. The oscillator is connected to the thermistor stabilising circuit from the bridge side of C8.

4.3 STABILISATION CIRCUIT TH1 AND TH2

The operation of the thermistors TH1 and TH2 are to some extent inter-dependent, but TH1 can be considered as the principal means of stabilising the output frequency and TH2 the output amplitude, with change in temperature. R14 is a means of setting the thermistor current and is the preset output level control. RV1 is the front panel OUTPUT CONTROL. C10, connected across part of RV1, provides some compensation at the high frequency end of the working range. Connection to the driver stage is made via R16.

Circu

4.4 DR

V2 is a output the H the hu from t Coupli

4.5 OU

The ou selecte is con: circuit former are sho output output frequ

Some V3 wh tion a standi gener type. t

4.6 M

The n and n attent proper true o

4.7 PC

The a the pr halve- tion : conne the ei of the

The T Capa frequ The C buck frequ

a circuit consists of a triode amplifier with a resistive anode load that is coupled to the output amplifier via C14. Part of the hum voltage existing across R21 in the HT line is applied as negative feedback at the V2 grid, thus reducing the hum level in the output signal. Normal negative feedback is connected from the output amplifier to the V2 cathode circuit via R20 and C13. Coupling to the output stage is made via capacitor C14.

4.4 DRIVER AMPLIFIER V2

V2 is a triode amplifier with a resistive anode load that is coupled to the output amplifier via C14. Part of the hum voltage existing across R21 in the HT line is applied as negative feedback at the V2 grid, thus reducing the hum level in the output signal. Normal negative feedback is connected from the output amplifier to the V2 cathode circuit via R20 and C13. Coupling to the output stage is made via capacitor C14.

4.5 OUTPUT CIRCUIT

The output amplifier V3 is a tetrode amplifier with an anode load that is selected by S1c. For the 600Ω output on the high frequency range A, T2 is connected in circuit and the primary and secondaries of T1 are short circuited. For the middle and low frequency ranges B and C, the transformer T1 is connected in circuit and T2 primary and secondary windings are short circuited. For the 5Ω output, on the other hand, the low impedance output from T2 is used on the high frequency range and low impedance outputs from both T1 and T2 are used in series for the middle and low frequency ranges.

Some automatic negative bias is produced by R23 in the cathode circuit of V3 which is partially by-passed by C15, thus providing increased amplification at the top end of the range. Preset potentiometer R24 is used to set the standing d.c. current in V3 and hence the output impedance of the signal generator. The 20dB output attenuator is a conventional unbalanced π type, formed by resistors R25, R26 and R27 and is switched into circuit by S2.

4.6 METER CIRCUIT

The meter circuit, consisting of the full-wave bridge rectifiers MR1-MR4 and meter M1, is connected directly across the 600Ω input to the 20dB attenuator. When the 20dB attenuator is in use and the 600Ω output is properly terminated, the meter reading must be divided by ten to obtain the true output level.

4.7 POWER SUPPLY CIRCUIT

The a.c. supply is connected to T3 via the fuse FS1 across either the whole of the primary winding in series, for 210 to 250V working, or across the two halves of the primary winding in parallel, for 105 to 125V working. Alteration from one voltage to the other can be made by altering soldered connections as indicated on the transformer tag panel and with reference to the circuit diagram. The indicator neon lamp N1 is connected across one half of the primary winding.

The T3 secondary winding is connected to the full wave rectifier valve V4. Capacitors C18 and C19 form a simple decoupling circuit to earth for HF frequencies that may be picked up internally or from adjacent equipment. The 6.3V winding supplies the heater chain and has a straightforward hum bucking network formed by R29 and R30 that decouples the hum frequencies to earth.

600 Ω
FLOATING
OUTPUT

5 Ω
EARTHED
OUTPUT

and part of the output signal is coupled to the input of the next stage via capacitor C3 and C15. R15 is a variable resistor which means that the output level can be adjusted.

The V1a/1b/1c/1d/1e/1f/1g/1h/1i/1j/1k/1l/1m/1n/1o/1p/1q/1r/1s/1t/1u/1v/1w/1x/1y/1z/1aa/1ab/1ac/1ad/1ae/1af/1ag/1ah/1ai/1aj/1ak/1al/1am/1an/1ao/1ap/1aq/1ar/1as/1at/1au/1av/1aw/1ax/1ay/1az/1ba/1bb/1bc/1bd/1be/1bf/1bg/1bh/1bi/1bj/1bk/1bl/1bm/1bn/1bo/1bp/1bq/1br/1bs/1bt/1bu/1bv/1bw/1bx/1by/1bz/1ca/1cb/1cc/1cd/1ce/1cf/1cg/1ch/1ci/1cj/1ck/1cl/1cm/1cn/1co/1cp/1cq/1cr/1cs/1ct/1cu/1cv/1cw/1cx/1cy/1cz/1da/1db/1dc/1dd/1de/1df/1dg/1dh/1di/1dj/1dk/1dl/1dm/1dn/1do/1dp/1dq/1dr/1ds/1dt/1du/1dv/1dw/1dx/1dy/1dz/1ea/1eb/1ec/1ed/1ee/1ef/1eg/1eh/1ei/1ej/1ek/1el/1em/1en/1eo/1ep/1eq/1er/1es/1et/1eu/1ev/1ew/1ex/1ey/1ez/1fa/1fb/1fc/1fd/1fe/1ff/1fg/1fh/1fi/1fj/1fk/1fl/1fm/1fn/1fo/1fp/1fq/1fr/1fs/1ft/1fu/1fv/1fw/1fx/1fy/1fz/1ga/1gb/1gc/1gd/1ge/1gf/1gg/1gh/1gi/1gj/1gk/1gl/1gm/1gn/1go/1gp/1gq/1gr/1gs/1gt/1gu/1gv/1gw/1gx/1gy/1gz/1ha/1hb/1hc/1hd/1he/1hf/1hg/1hi/1hj/1hk/1hl/1hm/1hn/1ho/1hp/1hq/1hr/1hs/1ht/1hu/1hv/1hw/1hx/1hy/1hz/1ia/1ib/1ic/1id/1ie/1if/1ig/1ih/1ii/1ij/1ik/1il/1im/1in/1io/1ip/1iq/1ir/1is/1it/1iu/1iv/1iw/1ix/1iy/1iz/1ja/1jb/1jc/1jd/1je/1jf/1jg/1jh/1ji/1jj/1jk/1jl/1jm/1jn/1jo/1jp/1jq/1jr/1js/1jt/1ju/1jv/1jw/1jx/1jy/1jz/1ka/1kb/1kc/1kd/1ke/1kf/1kg/1kh/1ki/1kj/1kl/1km/1kn/1ko/1kp/1kq/1kr/1ks/1kt/1ku/1kv/1kw/1kx/1ky/1kz/1la/1lb/1lc/1ld/1le/1lf/1lg/1lh/1li/1lj/1lk/1ll/1lm/1ln/1lo/1lp/1lq/1lr/1ls/1lt/1lu/1lv/1lw/1lx/1ly/1lz/1ma/1mb/1mc/1md/1me/1mf/1mg/1mh/1mi/1mj/1mk/1ml/1mm/1mn/1mo/1mp/1mq/1mr/1ms/1mt/1mu/1mv/1mw/1mx/1my/1mz/1na/1nb/1nc/1nd/1ne/1nf/1ng/1nh/1ni/1nj/1nk/1nl/1nm/1nn/1no/1np/1nq/1nr/1ns/1nt/1nu/1nv/1nw/1nx/1ny/1nz/1oa/1ob/1oc/1od/1oe/1of/1og/1oh/1oi/1oj/1ok/1ol/1om/1on/1oo/1op/1oq/1or/1os/1ot/1ou/1ov/1ow/1ox/1oy/1oz/1pa/1pb/1pc/1pd/1pe/1pf/1pg/1ph/1pi/1pj/1pk/1pl/1pm/1pn/1po/1pp/1pq/1pr/1ps/1pt/1pu/1pv/1pw/1px/1py/1pz/1qa/1qb/1qc/1qd/1qe/1qf/1qg/1qh/1qi/1qj/1qk/1ql/1qm/1qn/1qo/1qp/1qq/1qr/1qs/1qt/1qu/1qv/1qw/1qx/1qy/1qz/1ra/1rb/1rc/1rd/1re/1rf/1rg/1rh/1ri/1rj/1rk/1rl/1rm/1rn/1ro/1rp/1rq/1rr/1rs/1rt/1ru/1rv/1rw/1rx/1ry/1rz/1sa/1sb/1sc/1sd/1se/1sf/1sg/1sh/1si/1sj/1sk/1sl/1sm/1sn/1so/1sp/1sq/1sr/1ss/1st/1su/1sv/1sw/1sx/1sy/1sz/1ta/1tb/1tc/1td/1te/1tf/1tg/1th/1ti/1tj/1tk/1tl/1tm/1tn/1to/1tp/1tq/1tr/1ts/1tt/1tu/1tv/1tw/1tx/1ty/1tz/1ua/1ub/1uc/1ud/1ue/1uf/1ug/1uh/1ui/1uj/1uk/1ul/1um/1un/1uo/1up/1uq/1ur/1us/1ut/1uu/1uv/1uw/1ux/1uy/1uz/1va/1vb/1vc/1vd/1ve/1vf/1vg/1vh/1vi/1vj/1vk/1vl/1vm/1vn/1vo/1vp/1vq/1vr/1vs/1vt/1vu/1vv/1vw/1vx/1vy/1vz/1wa/1wb/1wc/1wd/1we/1wf/1wg/1wh/1wi/1wj/1wk/1wl/1wm/1wn/1wo/1wp/1wq/1wr/1ws/1wt/1wu/1wv/1ww/1wx/1wy/1wz/1xa/1xb/1xc/1xd/1xe/1xf/1xg/1xh/1xi/1xj/1xk/1xl/1xm/1xn/1xo/1xp/1xq/1xr/1xs/1xt/1xu/1xv/1xw/1xx/1xy/1xz/1ya/1yb/1yc/1yd/1ye/1yf/1yg/1yh/1yi/1yj/1yk/1yl/1ym/1yn/1yo/1yp/1yq/1yr/1ys/1yt/1yu/1yv/1yw/1yx/1yy/1yz/1za/1zb/1zc/1zd/1ze/1zf/1zg/1zh/1zi/1zj/1zk/1zl/1zm/1zn/1zo/1zp/1zq/1zr/1zs/1zt/1zu/1zv/1zw/1zx/1zy/1z

and part of the output signal is coupled to the input of the next stage via capacitor C3 and C15. R15 is a variable resistor which means that the output level can be adjusted.

FOR SERVICE MANUALS
CONTACT:
MAURITRON TECHNICAL SERVICES

www.mauritron.co.uk

TEL: 01844 - 351694

FAX: 01844 - 352554

8 **Maintenance**

Section 5

M.

5.1 GENERAL

The instrument has excellent component accessibility and any maintenance can easily be carried out after the removal of a side-panel or the wrap-round case. The general component layout of the instrument is illustrated in Fig. 2 and 3.

5.1

(1)

(2)

5.2 FUSE REPLACEMENT

After removing the top half of the wrap-round case, the fuse FS1 will be immediately accessible to the rear of the supply transformer T3. The correct replacement fuse is a 500mA Belling Lee type L1055 or equivalent, Advance Part No. 352.

(3)

5.3 VALVE REPLACEMENT

All the valves are mounted on the upper half of the instrument chassis and are accessible when the case is removed. Instrument calibration will not normally be affected by valve replacement, but changing V1 will require a check of the current through TH1 as outlined in para. 5.5 (5).

(4)

(5)

5.4 INTRODUCTION TO RECALIBRATION

After a long period in service the instrument may need some small internal adjustments to regain maximum frequency or voltage calibration accuracy. The entire recalibration procedure is listed below but unnecessary tampering of preset controls is not recommended.

(6)

5.5 VOLTAGE CALIBRATION

- (1) Switch on the instrument and terminate the 600 Ω output terminals via a switch in a 600 Ω , 1% resistor having a minimum rating of 1.5W.
- (2) Connect the 600 Ω terminals to a valve voltmeter VM77C or similar instrument. With the frequency set for 1Hz, turn the OUTPUT CONTROL to a maximum, fully clockwise.
- (3) Unlock R33 by turning the central screw counter-clockwise. Adjust R33 by rotating the 6BA nut surrounding the locking screw, until a meter reading of 27V is obtained. Lock R33 in this position by rotating the central screw clockwise, while keeping the nut steady.
- (4) Set the frequency to 50Hz and readjust R14 until an output level of 27V is obtained with the OUTPUT CONTROL set to a maximum.
- (5) Connect the valve voltmeter VM77C across R34 and adjust the output frequency to 50Hz. A minimum voltage of 13mV should be measured across R34. If the voltage is less than 13mV, replace valve V1. If the voltage is still less than 13mV, replace TH1.

(7)

(8)

(9)

(10)

5.6 OUTPUT IMPEDANCE ADJUSTMENT

- (1) Reduce the output level to an indicated 15V and switch out the 600 Ω termination. Adjust the output level to give exactly full scale deflection (f.s.d).
- (2) Switch in the 600 Ω termination and adjust preset potentiometer R24 at the rear, until the output is exactly half f.s.d. Repeat this procedure until the output reading with the 600 Ω load is exactly half the reading with no load. The 600 Ω output impedance will now be correct.

(11)

(12)

5.7 FREQUENCY CALIBRATION

- (1) Adjust the 600 Ω terminated output level to 6V and, with the aid of an oscilloscope, use Lissajous displays to check the generator frequency against a reference frequency having an accuracy of at least $\pm 0.2\%$.
 - (2) Set the frequency to 50Hz and adjust C3 to obtain a stationary Lissajous display. Access to C3 is obtained after removing the screening can as shown in para. 5.7 (3).
 - (3) To adjust the frequency towards the 4Hz end of the range A, release the screening can which covers the ganged capacitors by removing three 4BA nuts from the underside of the chassis. Adjust the outer plates only of the ganged capacitors C5 and C6, to align the scale figures to the input frequency.
- NOTE The calibration of range A affects the calibration of both B and C ranges, and must therefore be carried out with great care.
- (4) Switch to range C and set the scale to 25Hz. Adjust the output to exactly 25Hz by using a 50 Ω potentiometer substituted temporarily in place of R15.
 - (5) Switch to 50Hz and make any necessary adjustments to C3. Repeat the adjustments at 25Hz and 50Hz until both frequencies are correct, by reference to the scale. Measure the resistance of the 50k Ω potentiometer in position and replace with the nearest preferred value resistor, $\frac{1}{4}$ W rating (see 5). Solder the resistor between R7 and the earth tag at the rear of the range switch S1a.
 - (6) Switch to range C and adjust C1 for correct scale calibration at 300Hz. Check that calibration at 25Hz and 300Hz is not affected. Check calibration accuracy at 200Hz, 100Hz, 50Hz, 25Hz and 20Hz. If an error greater than 1% exists at 100Hz first re-check that the A range calibration is correct. Next check that R1 and R4 are within $\frac{1}{2}\%$ of 13M Ω .
 - (7) Switch to range B and adjust C2 for correct scale calibration at 4Hz. Check the scale accuracy at the main points throughout the range. If frequencies are low, a resistor of 750 Ω to 2.2k Ω must be wired in series with R3 (70k Ω on range A), and range A will need recalibration. Further adjustment of R15 at 25Hz may be necessary. If frequencies are high, a resistor of 5.6k Ω to 22k Ω must be wired in series with R1 (1M Ω on B range) in order to spread out the range.
 - (8) When the calibration is complete replace the screening can but do not secure to the chassis.
 - (9) Adjustment to the frequency C3 may be necessary through the appropriate holes in the screening can. Replace the screening can and secure it firmly to the chassis with three 4BA nuts.
 - (10) Check that calibration over the entire frequency range is within $\pm 1\%$.
 - (11) With the OUTPUT control set to its minimum check that the frequency does not vary at the extreme frequencies in all ranges by more than 0.5%.

5.8 FINAL ADJUSTMENTS

- (1) Check output impedance at 1kHz as in para. 5.7 and adjust R24 as necessary.
- (2) Set OUTPUT CONTROL to a maximum and adjust output to exactly 27V using R14 at 4kHz, B range or 50kHz, A range. Make adjustments at the frequency which produces the lower output level.
- (3) With the output at 27V, 50kHz check the voltage across R34 using the valve voltmeter. The voltage should not be less than 13mV.
- (4) Set output to 25V, 1kHz and check distortion at the +20dB mark on the front panel meter, the distortion should not exceed 0.7%. Excessive distortion figures in either case could be due to hum i.e. insufficient smoothing of HT or of ripple injection at V2 grid. Check components R17, C12, R21.
- (5) Check the distortion on range A at 4kHz, 25V. Distortion should be no greater than 2%.
- (6) Connect a valve voltmeter (e.g. Advance VM77C) to the 5 Ω output terminals. Switch in the 20dB attenuator. The output level should be between 2.2V and 2.6V.
- (7) Replace the cover and side panels and recheck the frequency and output levels at both ends and mid-scale of each range.
- (8) Recalibration is now complete.

FOR SERVICE MANUALS
CONTACT:

MAURITRON TECHNICAL SERVICES

www.mauritron.co.uk

TEL: 01844 - 351694

FAX: 01844 - 352554

FOR SERVICE MANUALS
CONTACT:
MAURITRON TECHNICAL SERVICES
www.mauritron.co.uk
TEL: 01844 - 351694
FAX: 01844 - 352554

75

Maintenance

Section 5 11

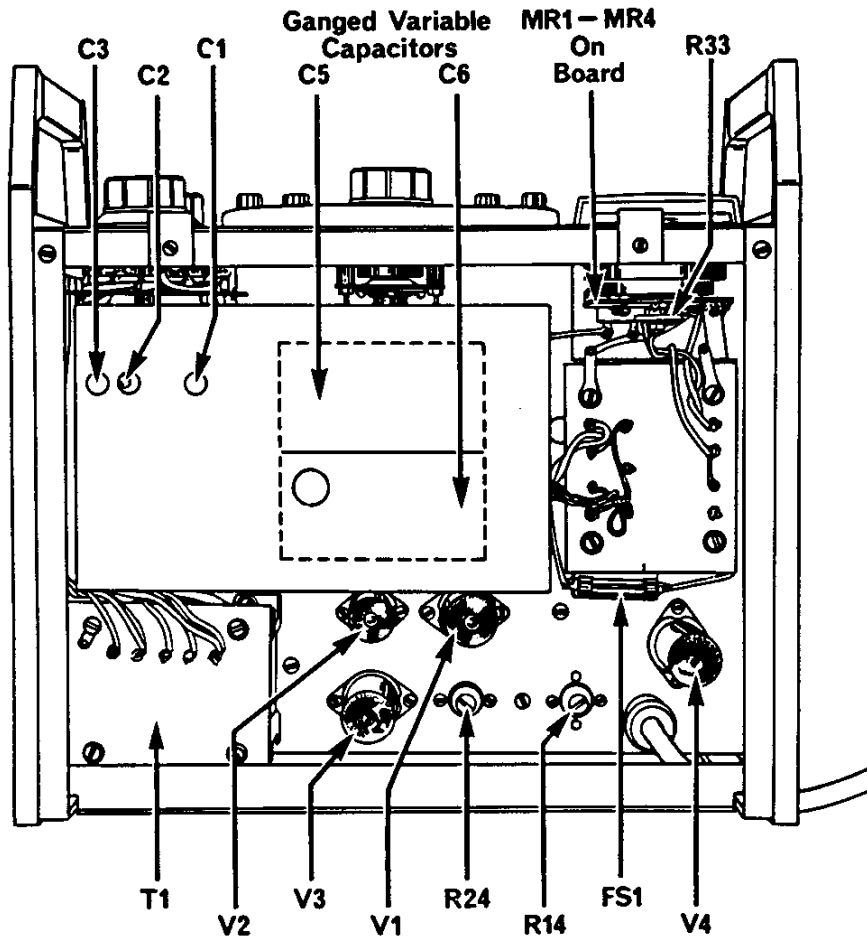


Fig. 2 Component layout—top view

FOR SERVICE MANUALS
 CONTACT:
MAURITRON TECHNICAL SERVICES
 www.mauritron.co.uk
 TEL: 01844 - 351694
 FAX: 01844 - 352554

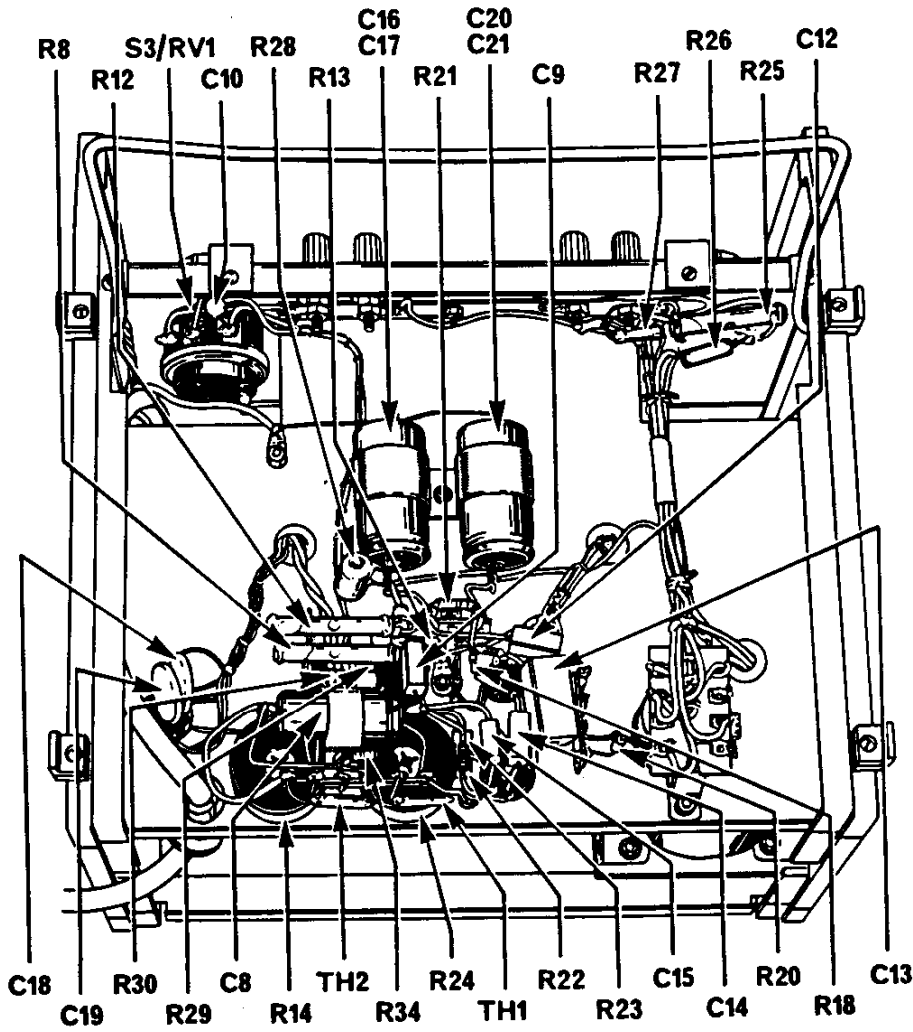


Fig. 3 Component layout—underside view

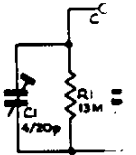
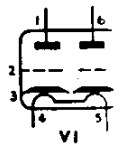


Fig. 4 Circu:

NOTES All I
 All
 J2C

Components List and Circuit Diagrams

Section 6

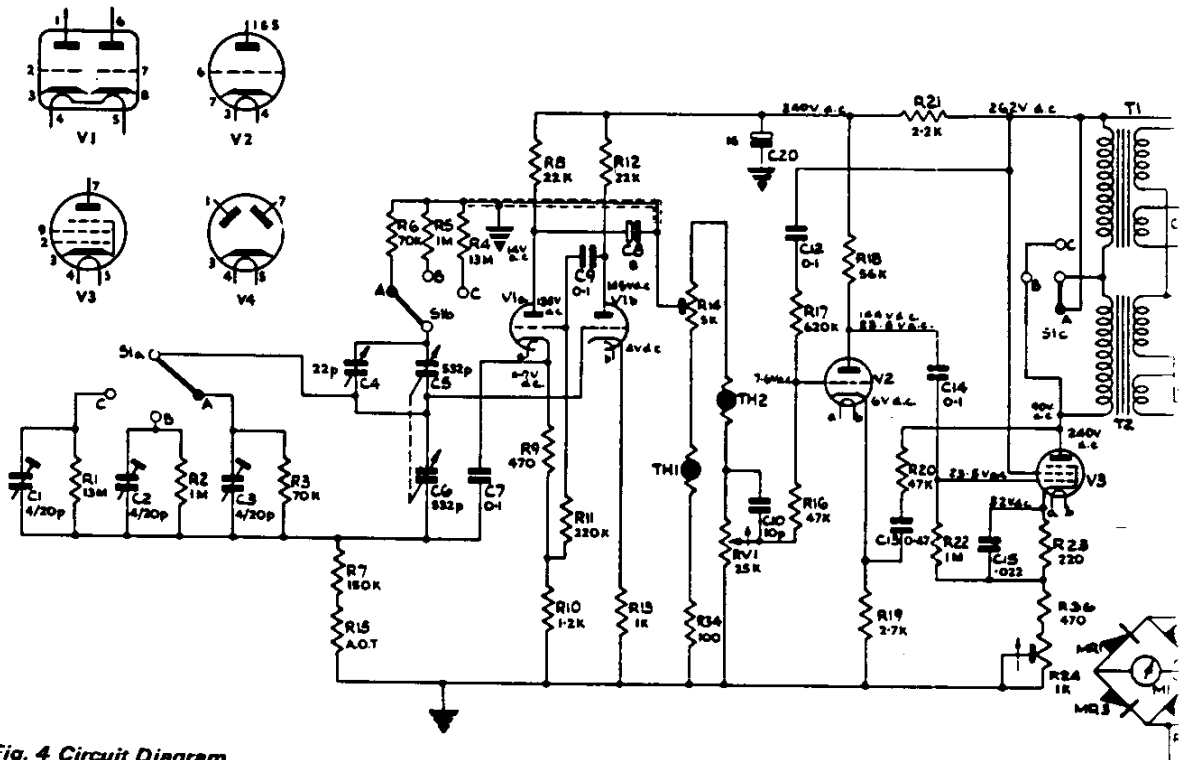


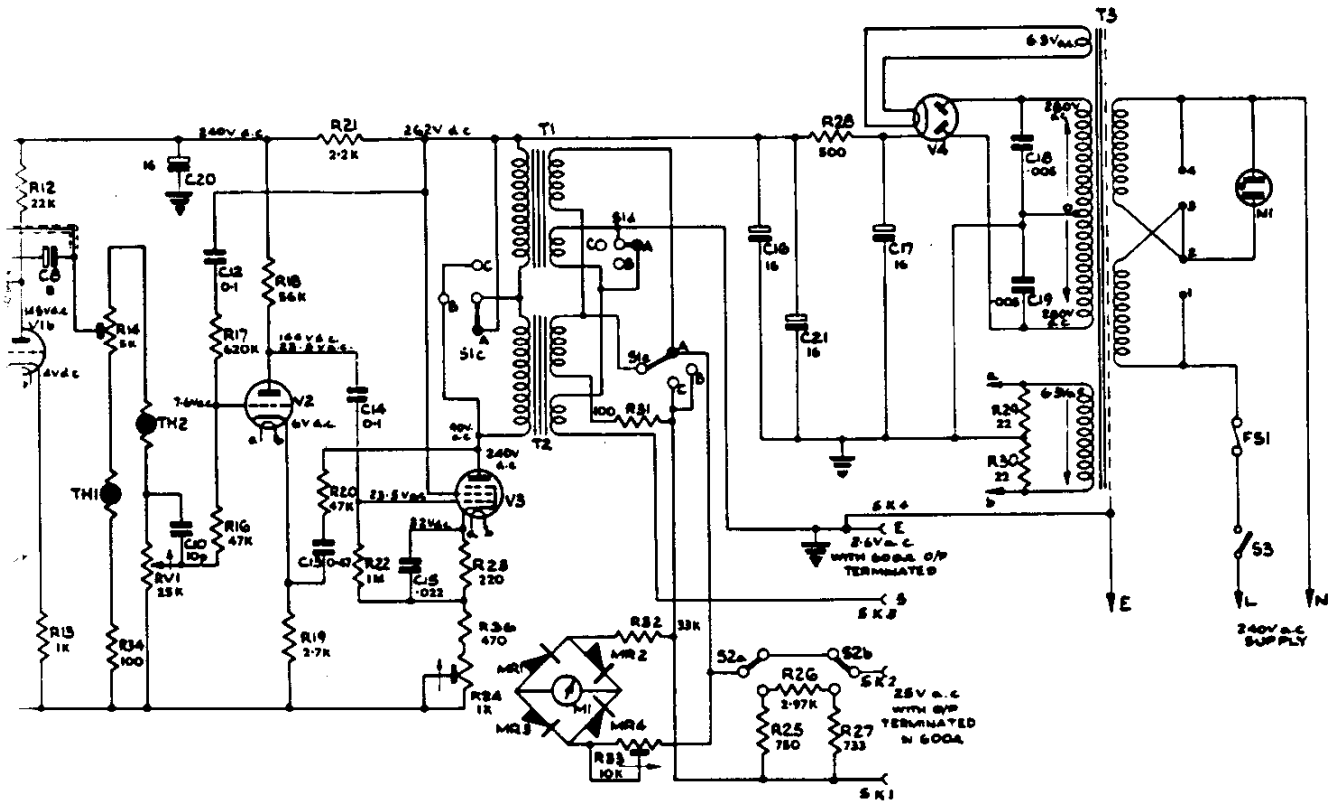
Fig. 4 Circuit Diagram

NOTES All D.C. measurements with 20kΩ per Volt Meter.
 All A.C. measurements with A.C. Millivolt Meter VM77C with
 J2C set to 1kHz sinewave 25V output.

C13

FOR SERVICE MANUALS
 CONTACT:
MAURITRON TECHNICAL SERVICES
 www.mauritron.co.uk
 TEL: 01844 - 351694
 FAX: 01844 - 352554

Section 6



NOTE:
Meter VM77C with

FOR SERVICE MANUALS
CONTACT:
MAURITRON TECHNICAL SERVICES
www.mauritron.co.uk
TEL: 01844 - 351694
FAX: 01844 - 352554

Ref.	Value	Description	Part No.	Ref.	Value	Description	Part No.
RESISTORS (Erie 16 unless specified)				CAPACITORS (Wima Trophyfol M unless specified)			
R1	13M	±1% Welwyn C23	6700	C1	4/20pF	Trimmer Triko 004a/ 10BMD.20	4910
R2	1M	±1% Welwyn C22	6701	C2			
R3	70K	±1% Welwyn C22	6702	C3			
R4	13M	±1% Welwyn C23	6700	C4	22pF	Lemco 1106/R	18330
R5	1M	±1% Welwyn C22	6701	C5	532+	2 gang Polar E24	
R6	70K	±1% Welwyn C22	6702	C6	532pF	Type C1602	10555
R7	150K	±5% Welwyn C21	10253	C7	0.1uF	400V	2385
R8	22K	±10% Erie 8	6706	C8	8uF	450V DC electrolytic	
R9	470Ω	±10%	3419			Hunts JE553T	10760
R10	1.2K	±5%	1172	C9	0.1uF	400V	2385
R11	220K	±5%	6703	C10	10pF	10% Hunts Hi-Q N750	7703
R12	22K	±10% Erie 12	3248	C11		NOT USED	
R13	1K	±5%	3424	C12	0.1uF	400V	2385
R14	5K	Preset Pot. Colvern CLR901	7700	C13	0.47uF	400V	2365
R15		Adjusted during manufacture		C14	0.1uF	400V	2385
R16	47K	±5%	2933	C15	.022uF	400V	4243
R17	620K	±5%	5092	C16	16+16uF	350V DC electrolytic	
R18	56K	±5%	3435	C17		Hunts JE413	7014
R19	2.7K	±5%	3247	C18	0.005uF	2kV AC Erie	
R20	47K	±10%	2933	C19		K3500/CD8	1514
R21	2.2K	±5%	21553	C20	16+16uF	350V DC electrolytic	
R22	1M	±10%	1171	C21		Hunts JE413	7014
R23	220Ω	±10%	21554	VALVES			
R24	1K	Preset Pot. Colvern CLR 901	7699	V1	ECC88		4548
R25	750Ω	±5% Erie 2	7780	V2	6C4 (EC90)		4549
R26	2.97K	±1% Welwyn C22	3614	V3	EL84		12785
R27	733Ω	±1% Welwyn C22	3615	V4	EZ81		12070
R28	500Ω	±10% W/W Dubilier A1	11248	MISCELLANEOUS			
R29	22Ω	±10% Erie 8	6850	FS1	Fuse 500mA B/Lec L1055		352
R30	22Ω	±10% Erie 8	6850	MR1	Rectifier Mullard OA70		342
R31	100Ω	±10%	3416	MR2			
R32	33K	±5%	317	MR3			
R33	10K	Preset Pot. Egen 123	1064	MR4			
R34	100Ω	±10%	3416	M1	Meter 0-40V AC 0-0.89mA DC		A15132
R35		Not used		N1	Neon pilot lamp 100-125V		1165
R36	470Ω	±10% Erie 2	21555	S1	Range switch D No. A4876		17267
RV1	25K	Linear Pot. Colvern CLR 4983/12	7701	S2	Attenuator switch		7702
				S3	Mains switch		
				T1	Output transformer low		MT315
				T2	Output transformer high		MT316
				T3	Mains transformer		MT314B
					Input 105-125V	} 50-100Hz	
					210-250V		
				TH1	ST & C Thermister 1522/100		6719
				TH2	Thermister A14		7811

FOR SERVICE MANUALS
CONTACT:
MAURITRON TECHNICAL SERVICES
www.mauritron.co.uk
TEL: 01844 - 351694
FAX: 01844 - 352554