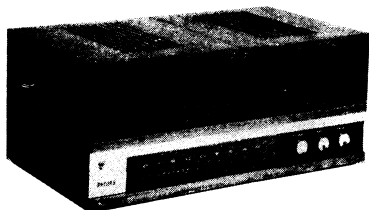


PHILIPS *Service* notes

MODEL GF570



SPECIFICATIONS

Supply voltage	220 - 250V, 50Hz
Record player	GC 032 (AG 2032)
Pick-up head	GP 228 (AG 3228)
Lamp	6.3V, 0.1A, tub. screw, 8073D
Modules	UA503, 2x

ACCESS FOR SERVICE

Place lids on and turn unit upside down on protective cloth. Remove case bottom panel. Remove the control knobs (direct pull). Remove the four chassis mounting screws. Lead length is sufficient to allow the chassis to be turned over for full accessibility. There should not be need to remove modules for an operational check.

If a module is to be operated away from the chassis, ensure that the transistors are fitted with flag type heat sinks and that these in turn are attached to a suitable metal strip for adequate heat dissipation.

Reinstallation is a reversal of the above procedure.

OUTPUT TRANSISTOR ADJUSTMENT

Provision is made by means of metering points in each module for insertion of a meter for adjustment of output transistor current by means of R108. Current should be adjusted, at no signal, in accordance with the following table.

Temperature °F	60	70	80	90	100	110	120
Collector current mA	5.0	6.8	8.6	10.8	13.0	15.6	19.0
Total current mA	27.5	29.5	31.5	34.0	37.0	39.6	44.0

MECHANICAL PARTS LIST

Knob — volume, tone, 2x	CR.524.519
Knob — balance	CR.524.520
Lampholder	A3.311.15
Plug — speaker, 2x	3112.100.24001
Socket — speaker, 2x	3111.120.20261
Socket — tape	979/5x180
Cabinet Hardware—	
Carrying handle	CR.523.234
Spring return (for carrying handle), 2x	3104.104.00551
Clip-retaining (for handle spring), 2x	3104.101.21021
Hinge portion (on speaker box), 4x	CS.220.201
Hinge portion (on case bottom), 4x	CS.220.200
Latch (on speaker box), 2x	CS.281.008
Catch (on case bottom), 2x	CS.281.007
Foot, 4x	CS.240.045
Function strip	CS.430.799
Bezel	CS.430.193

PHILIPS *Service* notes

SUPPLEMENTARY SHEET

MODEL GF570

Model GF570 has been modified by the provision of a regulated power supply and a separate on/off switch. There is also variation in speaker plugs and sockets which have been used.

The interconnection drawing published overleaf gives details of the electrical changes. The parts list below shows the new components involved.

- | | | | |
|--------|--|---|--------------|
| R301. | 120E carbon, 1/2W, 10%, IRC BTS | | |
| R306. | } 50K carbon potentiometer,
taper C, tapped 5K (volume) | | |
| R306A. | | with push pull SPST switch (on/off) | CZ.032.058 |
| C306. | 80M electrolytic, 25V | | C.426.AR/F80 |

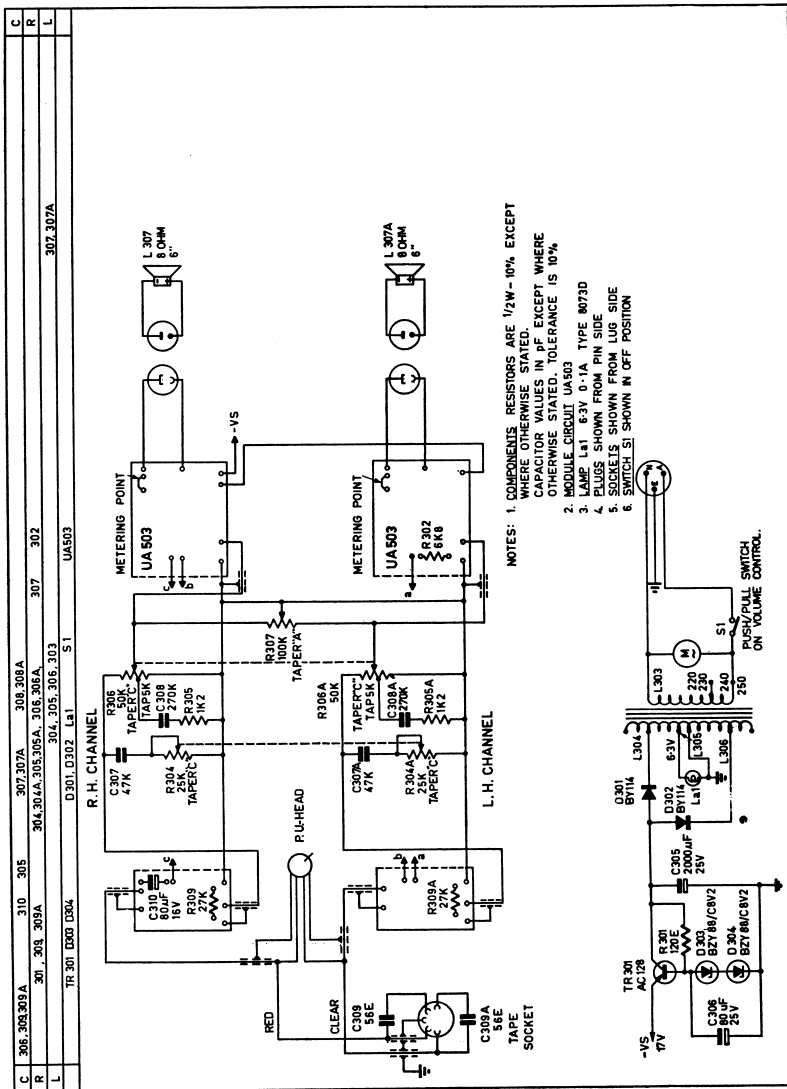
Speaker plugs and sockets

Those shown on the drawing overleaf are—plug 978/2X4, socket 979/S2X4. Earlier production used those shown on the drawing in the original data sheet (June 1967) and are—plug CZ.365.054, socket CZ.369.942. When installing socket 979/S2X4 (this is not the equipment socket) wire to lugs 2 and 4, and bridge lugs 3 and 1. The plug may then be inserted either way around.

Quiescent Collector Current

With the use of the regulated power supply, the output transistors quiescent collector current is set to 7.5 mA at 70°F.

August, 1967



PHILIPS *Service*

notes

MODELS GF570 AND GF571

The issue of this service sheet updates the GF570 and introduces a similar version, the GF571.

This sheet should be read in conjunction with service manual model GF 570 June, 1967 and supplementary sheet August, 1967.

With reference to circuit overleaf, modifications since August, 1967 are listed below together with deleted and added components.

MODEL GF570 Deleted Components

C311	80M	Electrolytic	16V	C.426.AR/E80
		Originally on capacitor list in error.		
R302	6K8	Carbon	½W 10%	IRC.BTS.
		Shown on circuit of UA503 as one per pair of modules with point "A" feeding two pre-amplifiers.		

Added Components

C105	2K7	Polyester	400V 10%	C.296.AC/A2K7
		In parallel with R104 (4K7) on UA503 module.		
R113	15K	Carbon	½W 10%	B8.305.05A/15K
		Originally R302 and now becomes part of module, feeding pre-amplifiers independently.		
R310-A	470K	Carbon	½W 10%	B8.305.05A/470K
		See tape socket and P.U. head circuit (overleaf).		
Fa1.	750mA	Australux	3AG	

Code Changes for Mechanical Parts

Description	New Code
Lampholder	4822.255.10007
Plug — speaker, 2x	4822.264.30041
Socket — speaker, 2x	4822.267.40073
Socket — tape	4822.267.40039
Foot, 4x	CS.423.050

MODEL GF571

This model is electrically identical to model GF570 except the speakers, L307-A Rola (C6L/8), and the following mechanical parts are deleted.

Carrying handle	CR.523.234
Spring return	3104.104.00551
Clip retaining	3104.101.21021
Latch	CS.281.008
Catch	CS.281.007

Additional Mechanical Part.

Lid assembly	CR.815.000
--------------	------------

