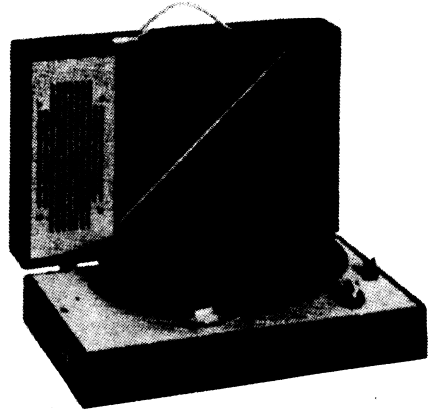


PHILIPS *Service* notes

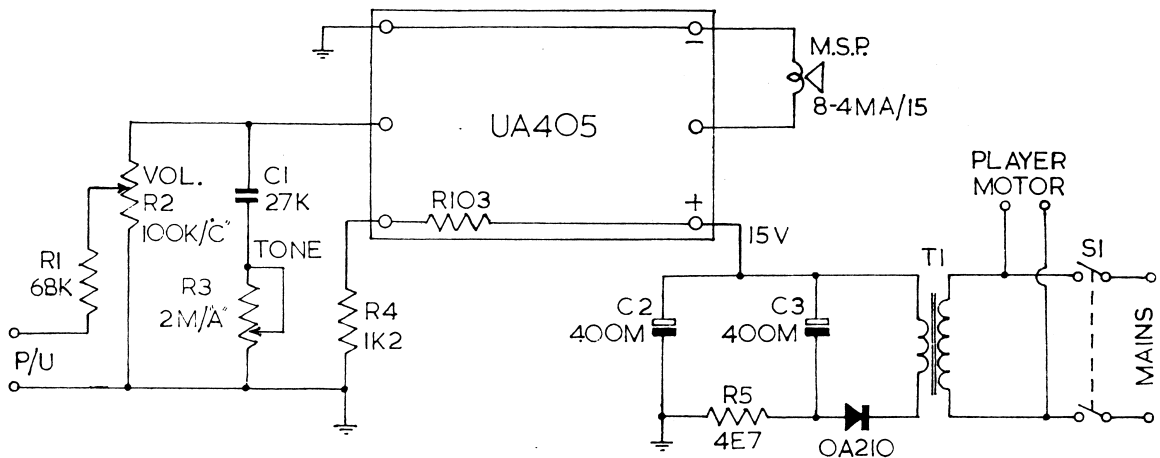


MODELS GF270 GF271

SPECIFICATIONS

Power Supply
Record Player GF270
Record Player GF271

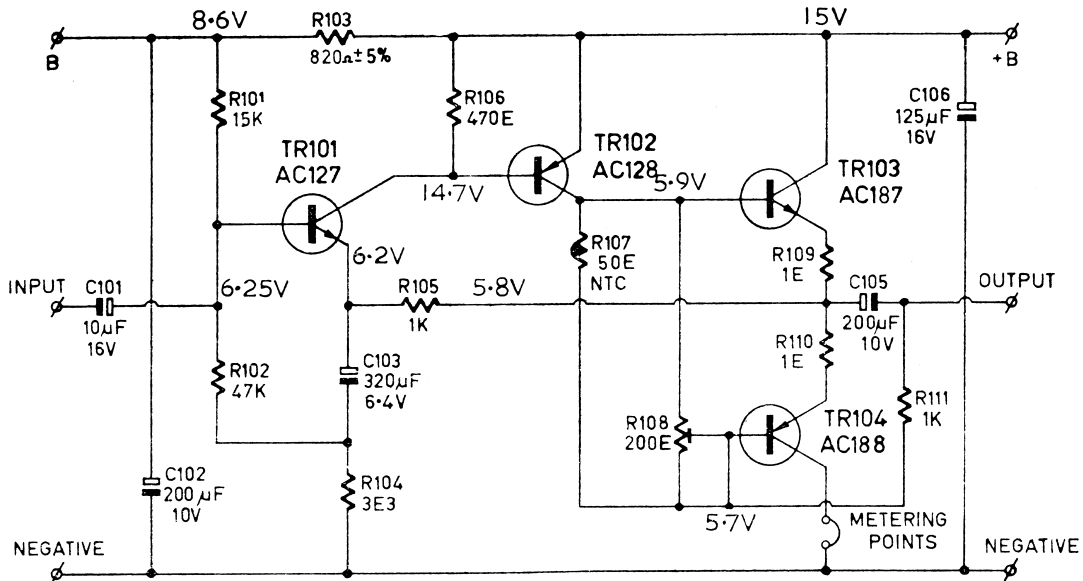
240V 50 c/s
B.S.R. TD.12
Kingsley K.T.I.



MECHANICAL PARTS LIST

Decorative Ring-Baffle	4802.444.67001
Function Label	4802.444.67003
Gauze Disc under Decorative Ring	4802.444.67002
Knob-Tone	4802.413.47001
Knob-Volume	4802.413.37001
	or CR.523.516
	or CR.524.500
Motor Assembly (GF271)	4802.361.97001
Motor Idler Wheel (GF271)	4802.528.77001
Motor Pulley (GF271)	4802.528.57001
P.U. Arm (GF271)	4802.251.77001
P.U. Arm Pivot/Spindle (GF271)	4802.532.37001
P.U. Cartridge (GF271)	4802.251.17001

GF270 GF271



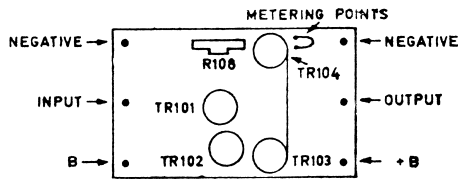
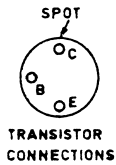
NOTE ON CONDENSERS:
WHOLE NUMBERS - pF UNLESS INDICATED OTHERWISE.
TOLERANCE POLYESTERS: $\pm 10\%$
TOLERANCE ELECTROLYTICS: $-10+50\%$

VOLTAGES MEASURED WITH VTVM AND $1K5 \pm 10\%$
CONNECTED BETWEEN B AND NEGATIVE.

COLLECTOR PNP: RED SPOT
COLLECTOR NPN: BLUE SPOT

ZERO SIGNAL COLLECTOR CURRENT TR103/TR104
IS SET BY MEANS OF R108 TO 3.0mA AT 75°F.

RESISTORS ARE $\pm 10\%$ UNLESS INDICATED OTHERWISE.



ELECTRIC PARTS LIST

CAPACITORS

C. No.	Description	V.W.Tol.±%	Type or Code No.
1	27K Polyester	160 10	C.296.AA/A27K
2	400M electrolytic	16 -	C.437.AR/E400
3	400M electrolytic	16 -	C.437.AR/E400
101	10M electrolytic	16 -	C.426.AR/E10
102	200M electrolytic	10 -	C.426.AR/D200
103	320M electrolytic	6.4 -	C.426.AR/C320
105	200M electrolytic	10 -	C.426.AR/D200
106	125M electrolytic	16 -	C.426.AR/E125

SPEAKER

M.S.P. type 53362 4802.240.27001
8-4MA/15

POWER TRANSFORMER

T1 Power transformer CZ.344.153

RESISTORS

R. No.	Description	W Tol.±%	Type or Code No.
1	68K carbon	1/2 10	IRC BTS
2	2M carbon potentiometer, taper A, (volume) with DPST rotary switch (on/off).		4802.102.27001 Ducon PDS 450
3	100K carbon potentiometer, taper C (tone).		
4	1K2 carbon	1/2 10	IRC BTS
5	4E7 wire wound	1 10	IRC BWI
101	15K carbon	1/2 10	IRC BTS
102	47K carbon	1/2 10	IRC BTS
103	820E carbon	1/2 5	IRC BTS
104	3E3 carbon	1/4 10	E.017.BC/B3E3
105	1K carbon	1/2 10	IRC BTS
106	470E carbon	1/2 10	IRC BTS
107	50E N.T.C. disc	1 10	E201BC/A50E
108	200E carbon potentiometer (bias adj).		E.086.AC/200E
109	1E carbon	1/4 10	B8.031.04NB/1E
110	1E carbon	1/4 10	B8.031.04NB/1E
111	1K carbon	1/2 10	IRC BTS