

ASTOR MODEL GDO45

SOLID STATE STEREPHONIC RECORD PLAYER
for operation from 240 Volt 50 Hz supply mains

Astor GD045

A96



SUPPLY SOURCE: 240 VOLTS 50Hz
POWER CONSUMPTION: 33 Watts approximately
POWER OUTPUT: 2 Watts per channel

ACCESS TO INTERIOR

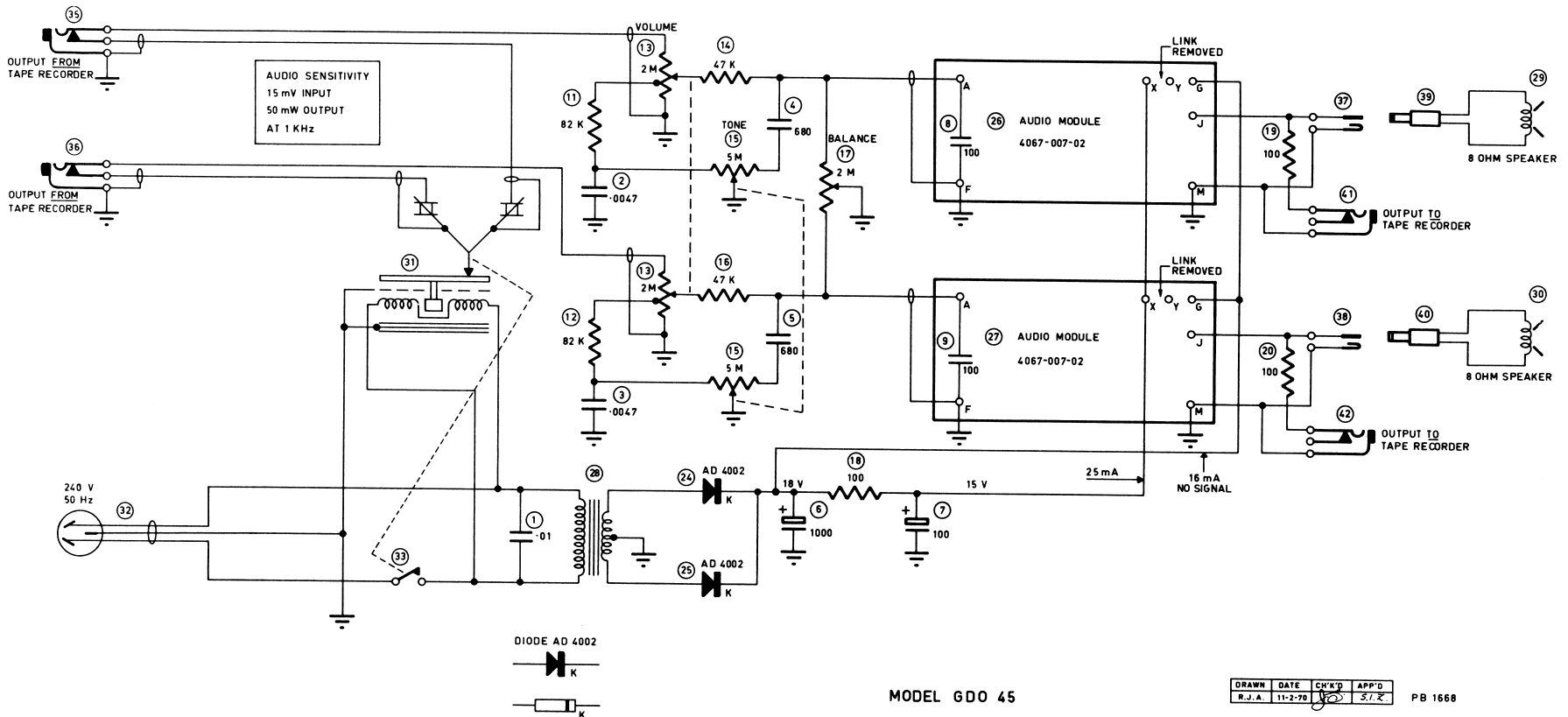
Remove seven screws holding cabinet base in position.

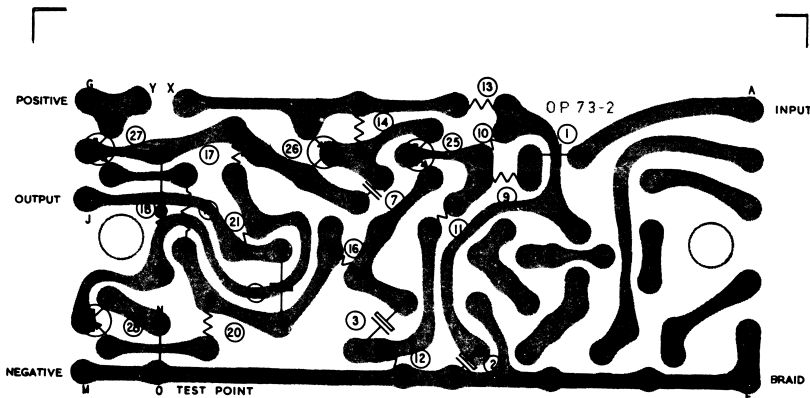
CHASSIS SERIAL NUMBER

Located on metal chassis near mains lead clamp, and is visible when cabinet base is removed.

CAUTION

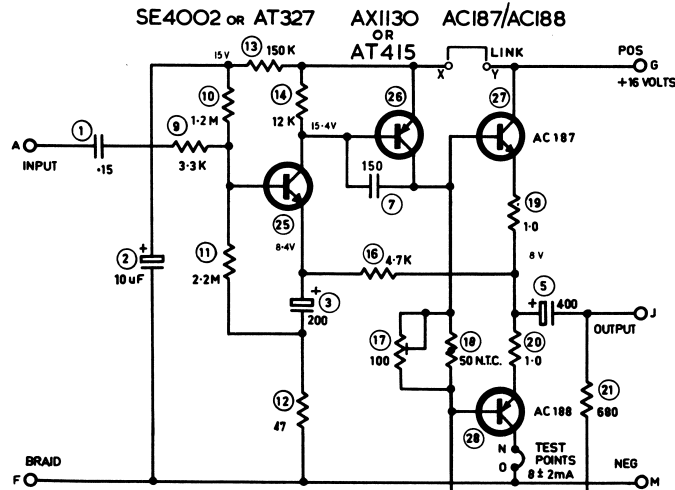
Disconnect receiver power lead plug from mains socket before making adjustments inside the cabinet.





DRAWN	DATE	CHE'D.	APP'D.	DATE
R. J. A.	18-2-70	<i>[Signature]</i>	S. I. Z.	3-4-70

PB 1665

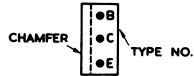


TRANSISTORS
AX1130, AC187, AC188,
& SE4002

TRANSISTORS
AT 327, AT415



UNDERSIDE VIEW



CHAMFER TYPE NO.

AUDIO MODULE

PART NO 4067-007-02

DRAWN	DATE	CHE'D.	APP'D.	DATE
R. J. A.	18-2-70	<i>[Signature]</i>	S. I. Z.	3-4-70

PB 1664

Audio Frequency Generator	-	1000 Hz - 600 Ohms impedance
Output Meter	-	8 Ohms
Volume Control	-	Maximum, clockwise
Tone Control	-	Maximum, clockwise
Balance Control	-	Clockwise position (Left Channel)

Connect audio generator output leads to left channel "Output from Tape Recorder" socket.

Connect an 8 Ohm speaker to the right channel speaker socket and the output meter to the left channel speaker socket. Set the output of the audio generator to 15 millivolts. With the equipment connected as above, the output meter should read a minimum of 50 milliwatts. Exchange output meter and speaker connections to opposite channels. Turn balance control to anti-clockwise position (Right Channel). Difference in output between the two readings must not exceed 2dB.

SPEAKER PHASING

It is essential that the speakers be phased correctly.

If a speaker has to be removed for service, note the lead connections to ensure correct phasing when reconnecting.

A method used for checking the phasing of the speakers is detailed in the following paragraphs.

1. Play a monophonic record.
2. To conduct the following test the speaker cabinets should be spaced about six feet apart and the listener should be located about four feet out in front of the centre point between the two cabinets.
3. If the phasing is correct the reproduced sound will appear to be radiated from this centre point.
4. With incorrect phasing the quality of reproduction will be poor, it will appear to be lacking in bass response and will appear to be radiated from both speaker cabinets.
5. If the speakers are incorrectly phased, reverse the leads connected to the voice coil terminals of one speaker then repeat the test detailed above.

ADJUSTMENT OF COLLECTOR CURRENT

This should be performed after an audio module or output transistors or associated componentry have been replaced.

EQUIPMENT

Current Meter - 0-50mA.DC. terminated with lead and socket assy. Part No. 4078-018-01, positive terminal to red sleeve.

CONDITIONS

Volume Control set at minimum. No input signal. Connect an 8 ohm impedance speaker to receiver socket. Remove link from pins "O" and "N" on Audio Module board. Place meter lead socket on to test pins "O" and "N". Connector with red sleeving is to be connected to pin "N".

Adjust 100 ohm potentiometer circuit No. 17 until a meter reading of 8mA. \pm 2mA. is indicated.

Remove meter lead plug and reconnect link to test pins.

PICK-UP STYLUS PRESSURE ADJUSTMENT

The stylus pressure is to be 5 grammes. A pressure gauge Part No. 4121-013-01 is available from the Spare Parts Division.

To check the pressure ensure the unit is level with no record on the turntable. Place pressure gauge on the turntable then lower pick-up arm so that stylus locates into the hollow provided on gauge. Adjust for balance and note reading.

To adjust the pressure refer to details in record changer booklet or turntable instruction disc.