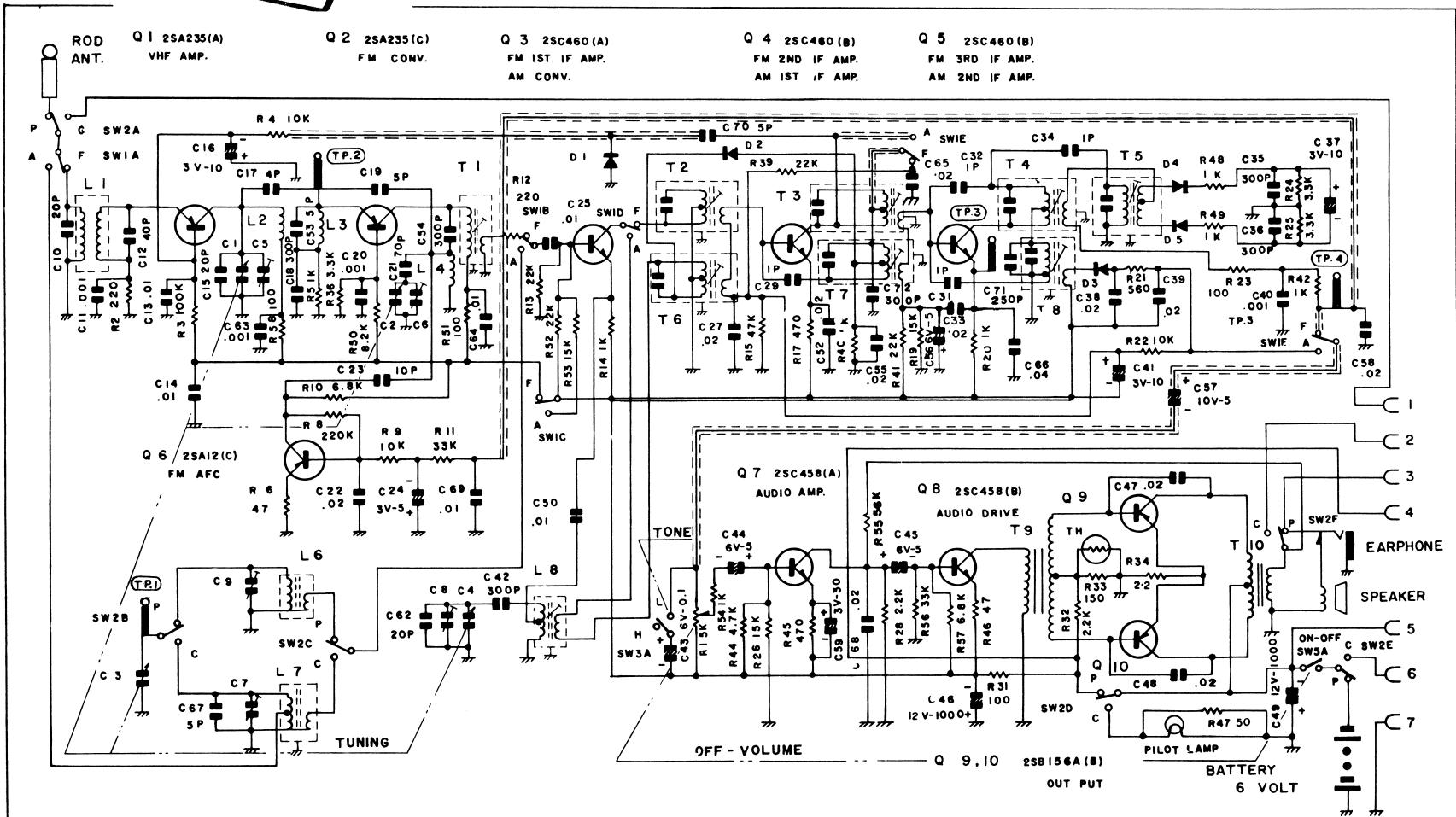




SCHEMATIC DIAGRAM



NOTE
 CAPACITANCE VALUES ARE IN MFD AND PF:MMFD.
 RESISTANCE VALUES ARE IN OHM.
 P: PORTABLE RADIO USE
 C: CAR RADIO USE
 A: AM BAND
 F: FM BAND

SWITCH DESIGNATION SYMBOLS

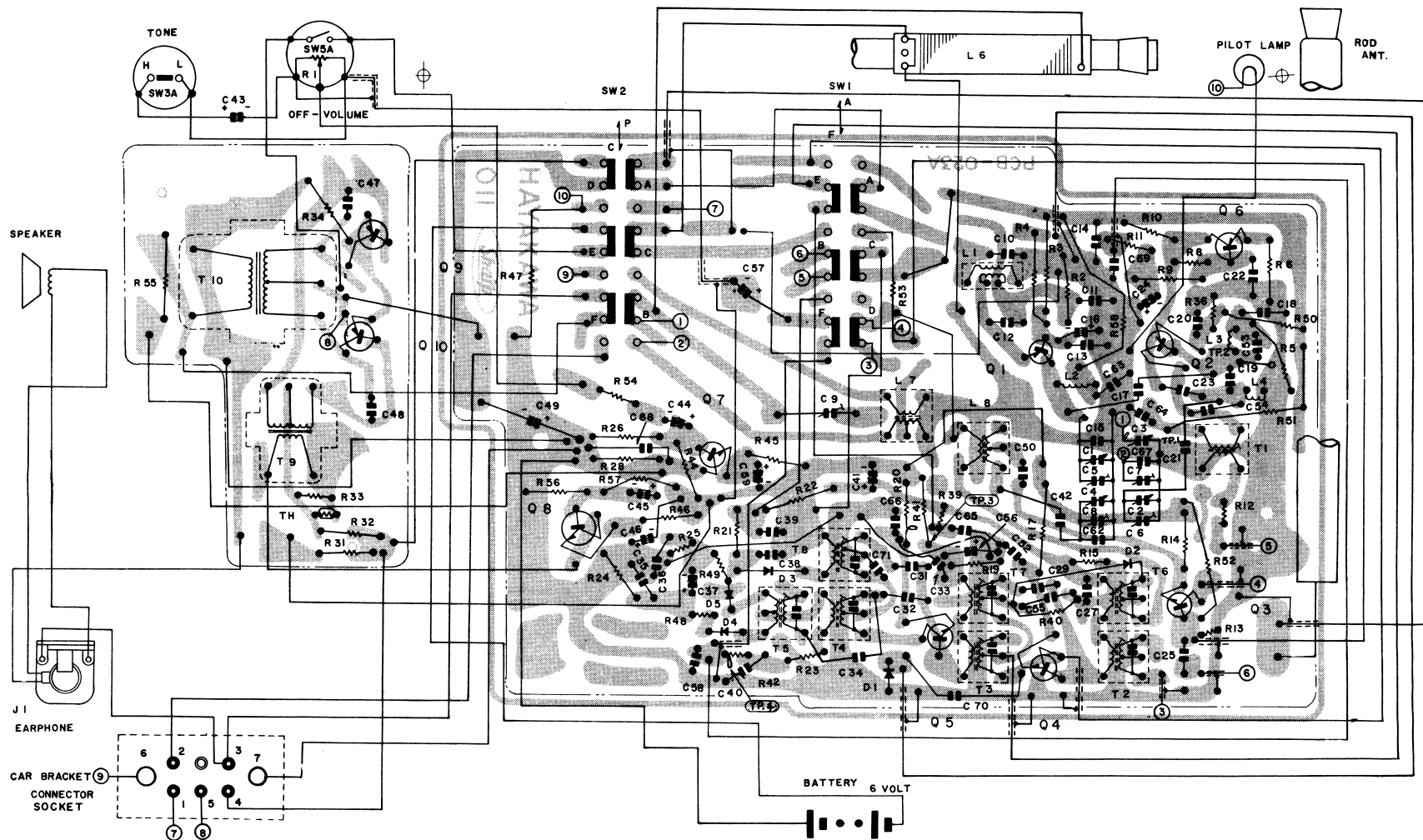
MARKS: CAR BRACKET CONNECTOR

TUNING RANGE
 (A) AM 530-1605 KC
 (F) FM 87-108 MC
 IF 10.7 MC(FM) 455 KC(MW)

TRANSISTOR VOLTAGE (FM/AM)

Q NO	Ec (V)	Eb (V)	Ee (V)	Q NO	Ec (V)	Eb (V)	Ee (V)
1	4.5	0.6	0.3	7	1.6	3.8	4.4
2	4.5	1.3	1.0	8	0.7	3.8	4.5
3	0	2.6	3.2	9	6.0	0.15	—
4	1.2	3.2	3.8	10	6.0	0.15	—
5	0	0.7	4.3	11	6.0	0.15	—
6	0	2.2	2.4	12	6.0	0.15	—

BOTTOM VIEW OF P.C. BOARD



SW-1 A, B, C, D, E, F shown FM position.

SW-2 A, B, C, D, E, F shown portable radio use position.