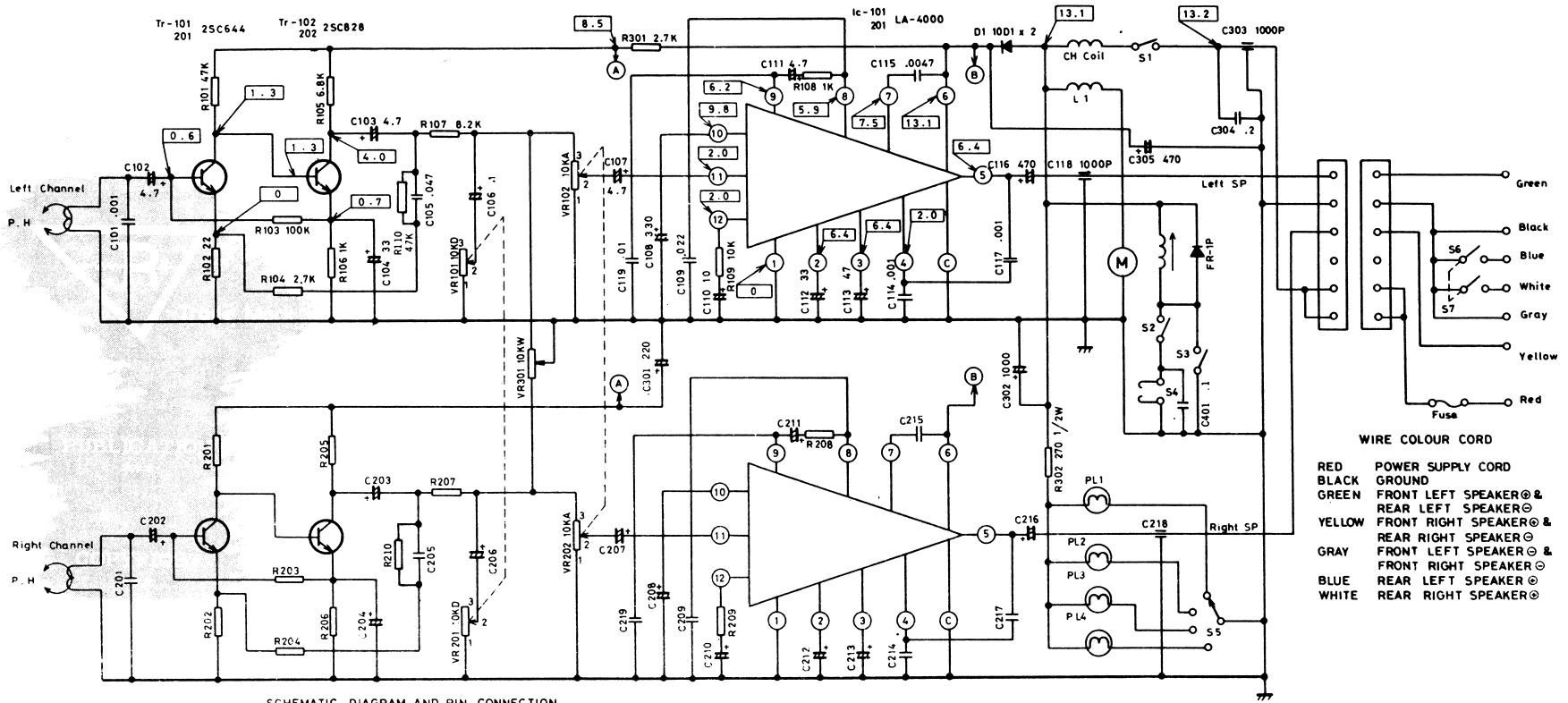
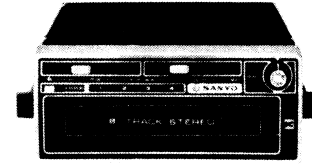


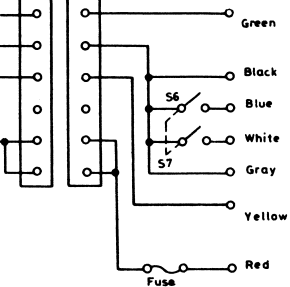
## SPECIFICATIONS

Tape ..... LEAR JET PACK 8 track stereo cartridge  
 Tape speed ..... 3-3/4 ips  
 Transistors ..... 4  
 IC ..... 2  
 Diode ..... 3  
 Output power (max.) ..... 4Ω speaker 4 watts per channel  
 Frequency response ..... 30 - 10,000 Hz  
 Wow and flutter ..... 0.35% RMS

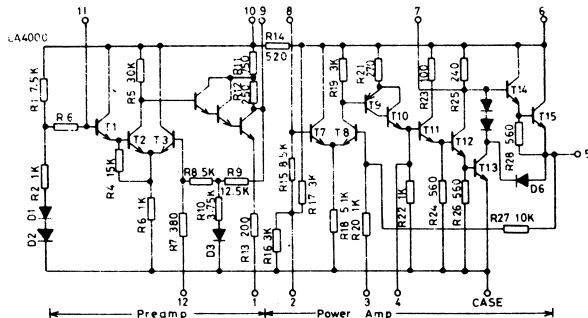
Signal to noise ratio ..... 50 dB  
 Tape speed accuracy ..... ± 2%  
 Crosstalk ..... 60 dB  
 Power source ..... 12V DC (-)  
 Dimensions ..... 4-1/8" (W) X 6-1/2" (D) X 2" (H)  
 120 X 165 X 50 mm  
 Weight ..... 4 lbs (1.5 kg) (approx.)



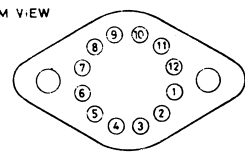
SCHEMATIC DIAGRAM AND PIN CONNECTION



- WIRE COLOUR CORD**
- RED POWER SUPPLY CORD
  - BLACK GROUND
  - GREEN FRONT LEFT SPEAKER @ & REAR LEFT SPEAKER @
  - YELLOW FRONT RIGHT SPEAKER @ & REAR RIGHT SPEAKER @
  - GRAY FRONT LEFT SPEAKER @ & FRONT RIGHT SPEAKER @
  - BLUE REAR LEFT SPEAKER @
  - WHITE REAR RIGHT SPEAKER @

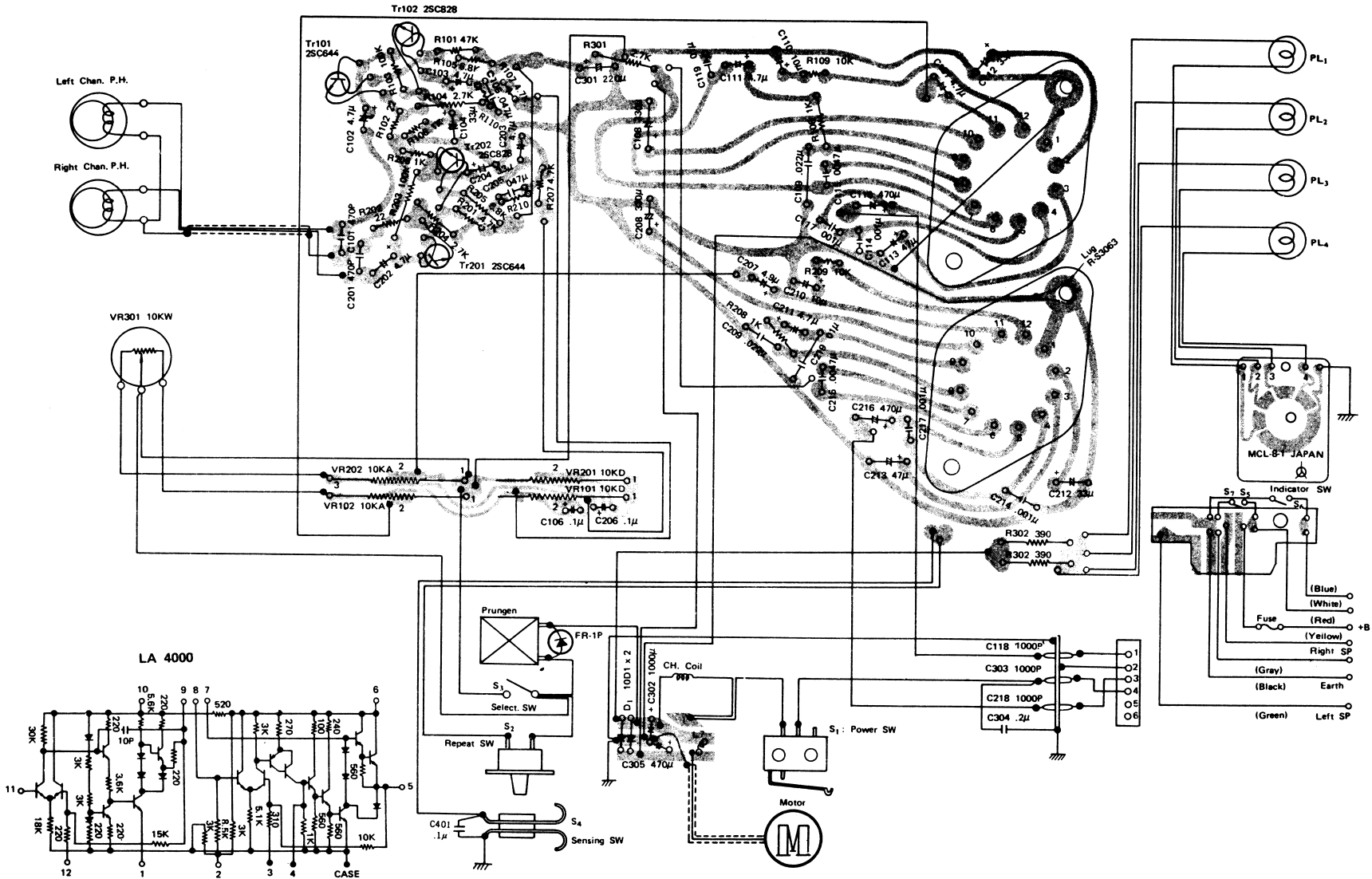


BOTTOM VIEW



NOTE: 1. ALL RESISTOR VALUES IN OHMS. UNLESS OTHERWISE NOTED, K=1000 OHM.  
 2. ALL CAPACITOR VALUES MFD. UNLESS OTHERWISE NOTED, P=MICRO MICRO FARAD.

- S 1 ... POWER SW.
- S 2 ... REPEAT SW.
- S 3 ... SELECT SW.
- S 4 ... SENSING SW.
- S 5 ... INDICATOR SW.
- S 6, S 7 4-2 CHANGING SW.



Tr No.	B	C	E	
Tr101, Tr201	2SC644	0.6V	1.3V	0
Tr102, Tr202	2SC828	1.3V	4.0V	0.7V

IC (No.)	1	2	3	4	5	6	7	8	9	10	11	12
LA4000	0	6.4V	6.4V	2.0V	6.4V	13.1V	7.5V	5.9V	6.2V	9.8V	2.0V	2.0V