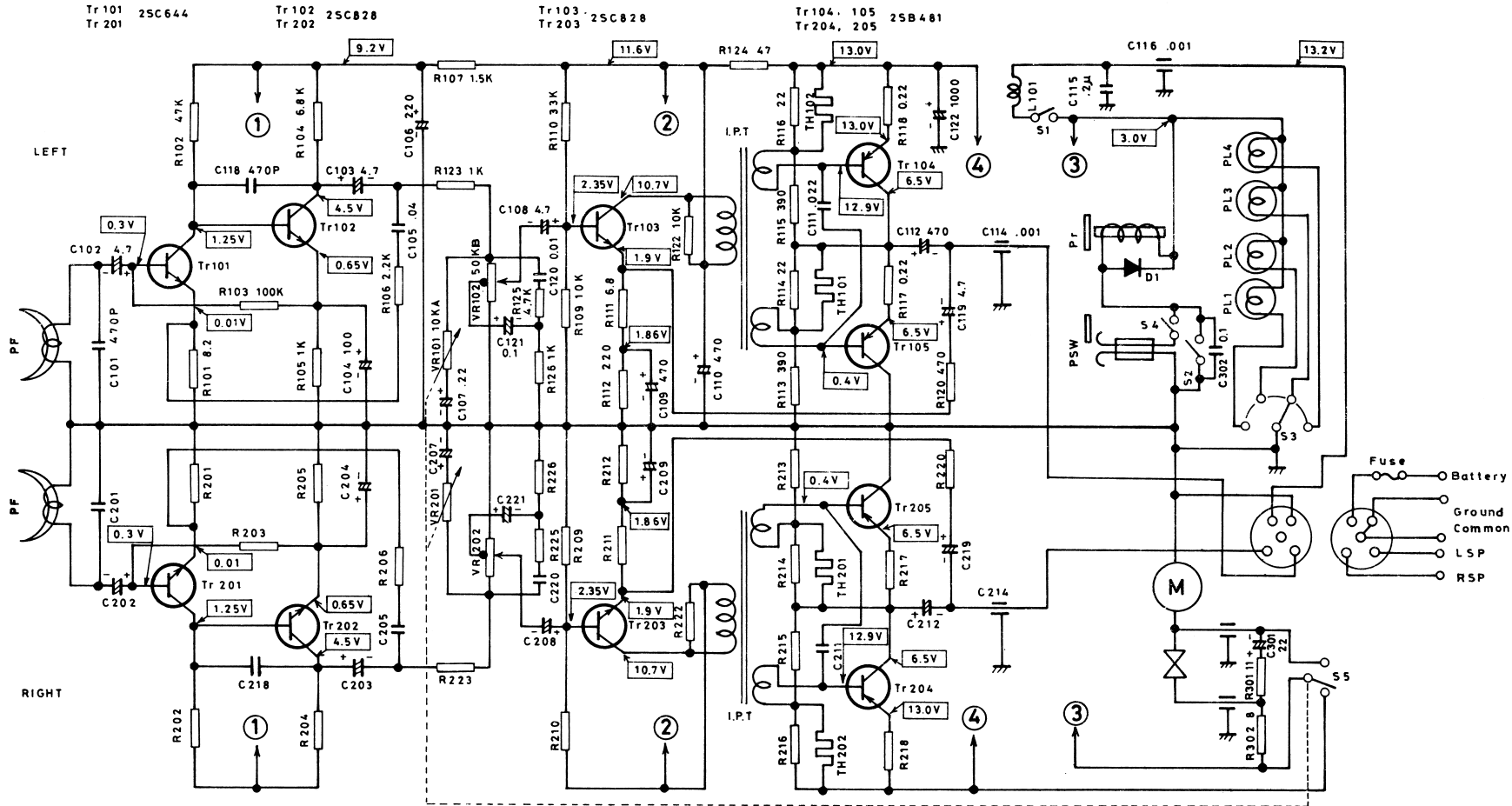
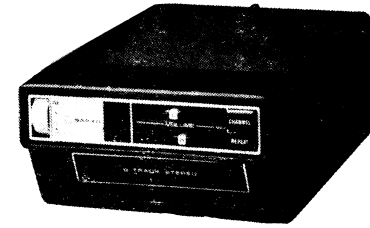


SPECIFICATIONS

Tape 8 Track stereo tape cartridge
 Tape speed 3 - 3/4 ips
 Speed accuracy +3 - 1 %
 Wow & Flutter 0.35 %
 Power output (Max.) 3W (4.9 V)
 (10 % dist.) 2.3W (4.3 V)
 Signal to noise ratio Better than 40dB
 Cross talk Better than 60dB

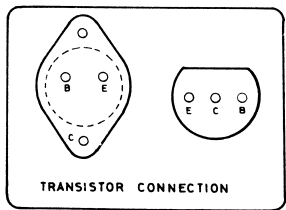
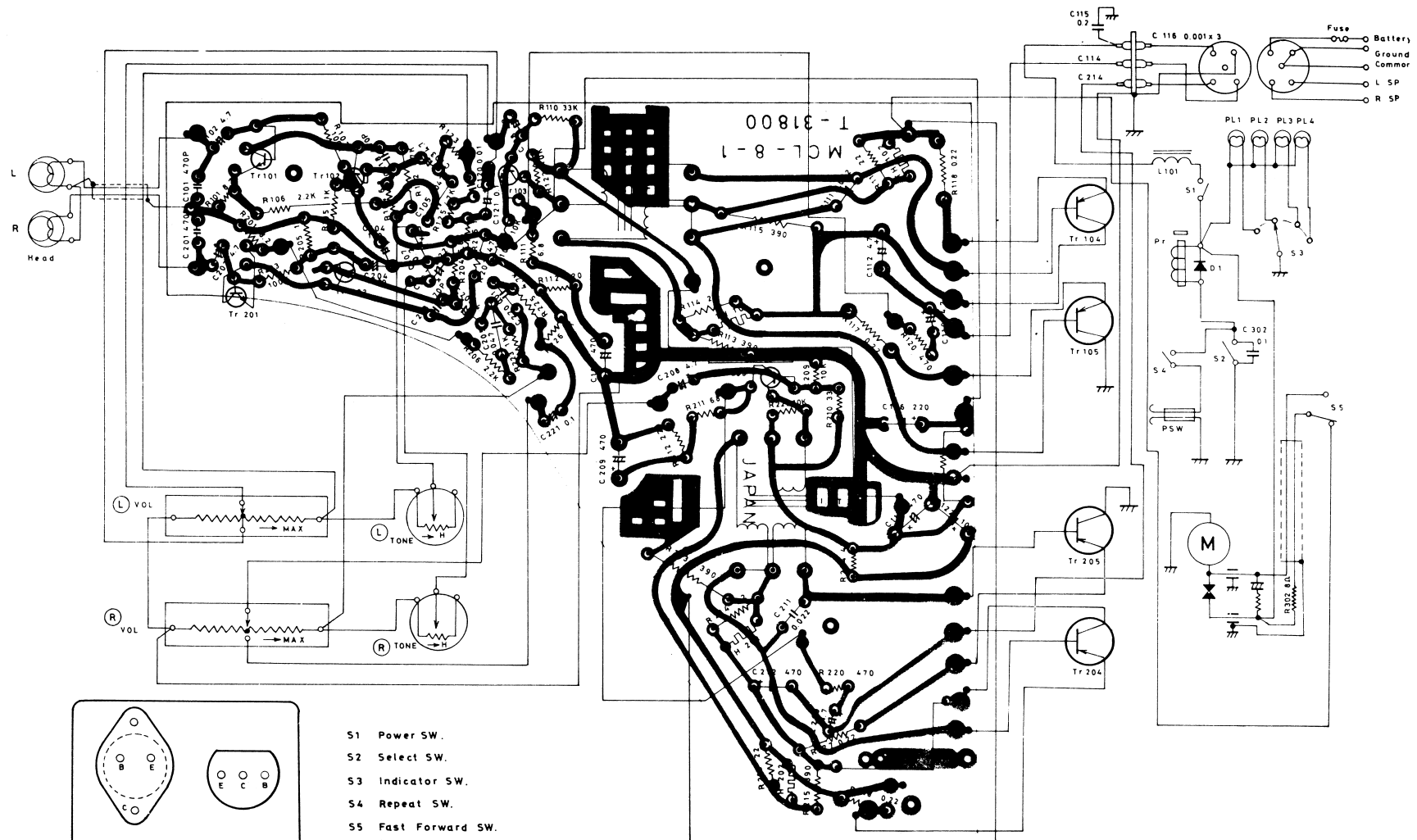
Separation (Between channel) ... Better than 30dB
 Frequency response (Play) 200 Hz +6 - -3 dB
 1000 Hz 0 dB
 8000 Hz +3 - -7 dB

Transistors 10
 Diode 1
 Thermistors 4



NOTE: 1. All resistor values in OHMS.
 Unless otherwise noted K=1000 ohms.
 2. All capacitor values in MFD.
 Unless otherwise noted P=Micro Micro Farad.

S1 Power SW
 S2 Select SW
 S3 Indicator SW
 S4 Repeat SW
 S5 Fast Forward SW



- S1 Power SW.
- S2 Select SW.
- S3 Indicator SW.
- S4 Repeat SW.
- S5 Fast Forward SW.
- Tr 101 Tr 201 2SC644
- Tr 102 Tr 202 2SC028
- Tr 103 Tr 203 2SC828
- Tr 104 Tr 204 } 2SB481
- Tr 105 Tr 205 }

