

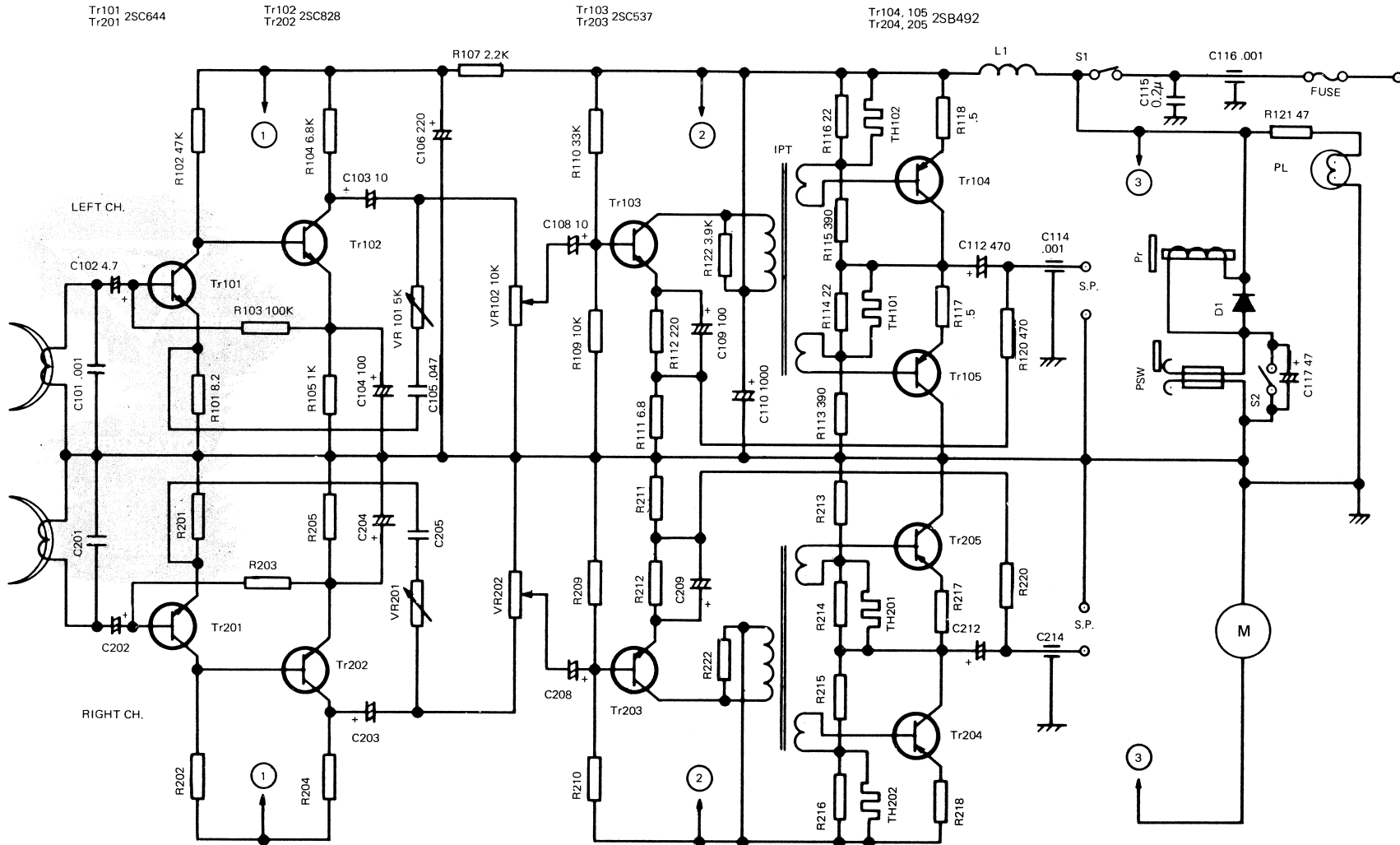
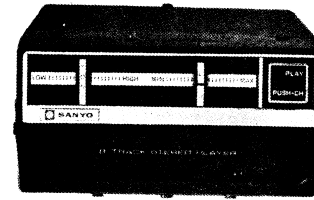
SPECIFICATIONS

Tape LEAR JET PAK 8-track stereo cartridge
Tape speed 3-3/4 ips (9.5 cm/sec)
Transistors 10
Diode 1
Thermistors 4
Output power (max.) 4Ω speakers: 7 watts per channel
 8Ω speakers: 4.2 watts per channel
Frequency response 60~10,000 Hz
Wow and flutter 0.3% RMS
Signal-to-noise ratio 50 dB
Tape speed accuracy ±2%
Crosstalk 60 dB

Power source 12V DC, (-) pole grounded
Speakers ESP-854 (optional) free edge high compliance, 5" diameter
 5-3/8" W X 7-3/4" D X 2-7/8" H
 (137 X 195 X 72 mm)
Net weight 4 lbs. 13 ozs. (2.2 kg)
Accessories Mounting bracket, rear support, bolts, hex nuts, washers, spare fuse

Sanyo FT-880

S138



NOTE: 1. All resistor values in OHMS.
 Unless otherwise noted K=1000 ohms.
 2. All capacitor values in MFD.
 Unless otherwise noted P=Micro Micro Fared.

