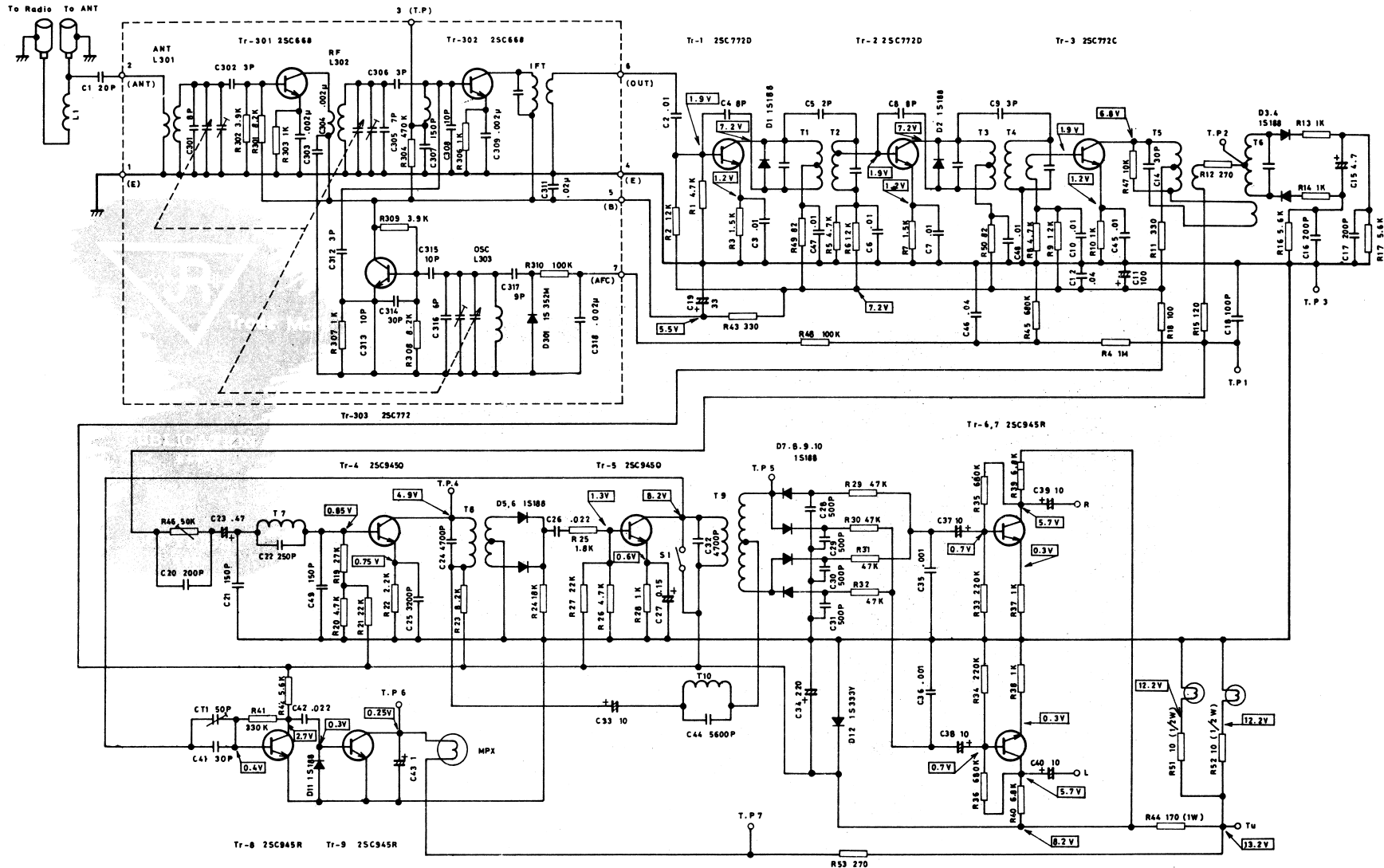
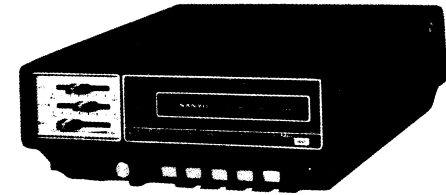


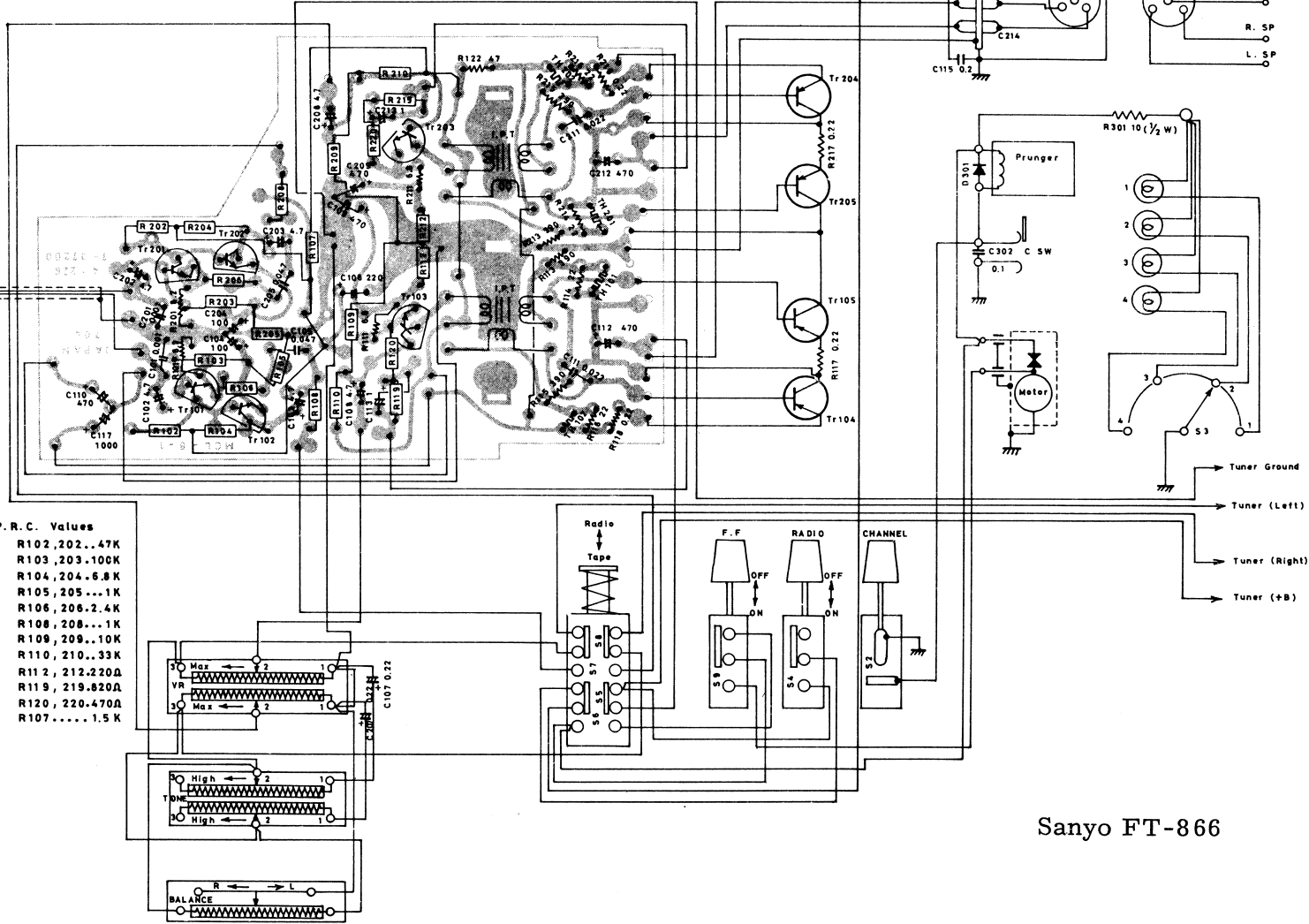
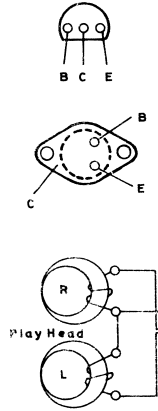
SPECIFICATIONS

Tape 8 Track stereo tape cartridge
 Tape speed 3 - 3/4 ips
 Speed accuracy +3 - 1%
 Wow & Flutter 0.22%
 Power output (Max.) 4.2W
 (10% dist.) 3W
 Signal to noise ratio Better than 48dB
 Cross talk Better than 60dB

Separation (Between channel) Better than 36dB
 Frequency response (Play) 200 Hz ±5 dB
 1000 Hz 0 dB
 8000 Hz ±5 dB
 Transistors 19
 Diode 12
 Thermistors 4
 Frequency range 88 - 106 MHz
 Maximum sensitivity 10 dB



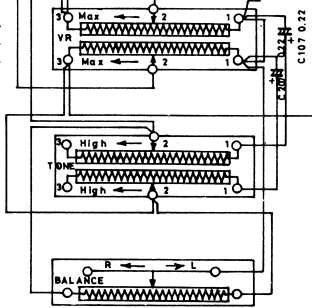
NOTE 1. All resistor values in OHMS.
 Unless otherwise noted R=1000 ohms.
 2. All capacitor values in MFD.
 Unless otherwise noted P=Micro Micro Farad.

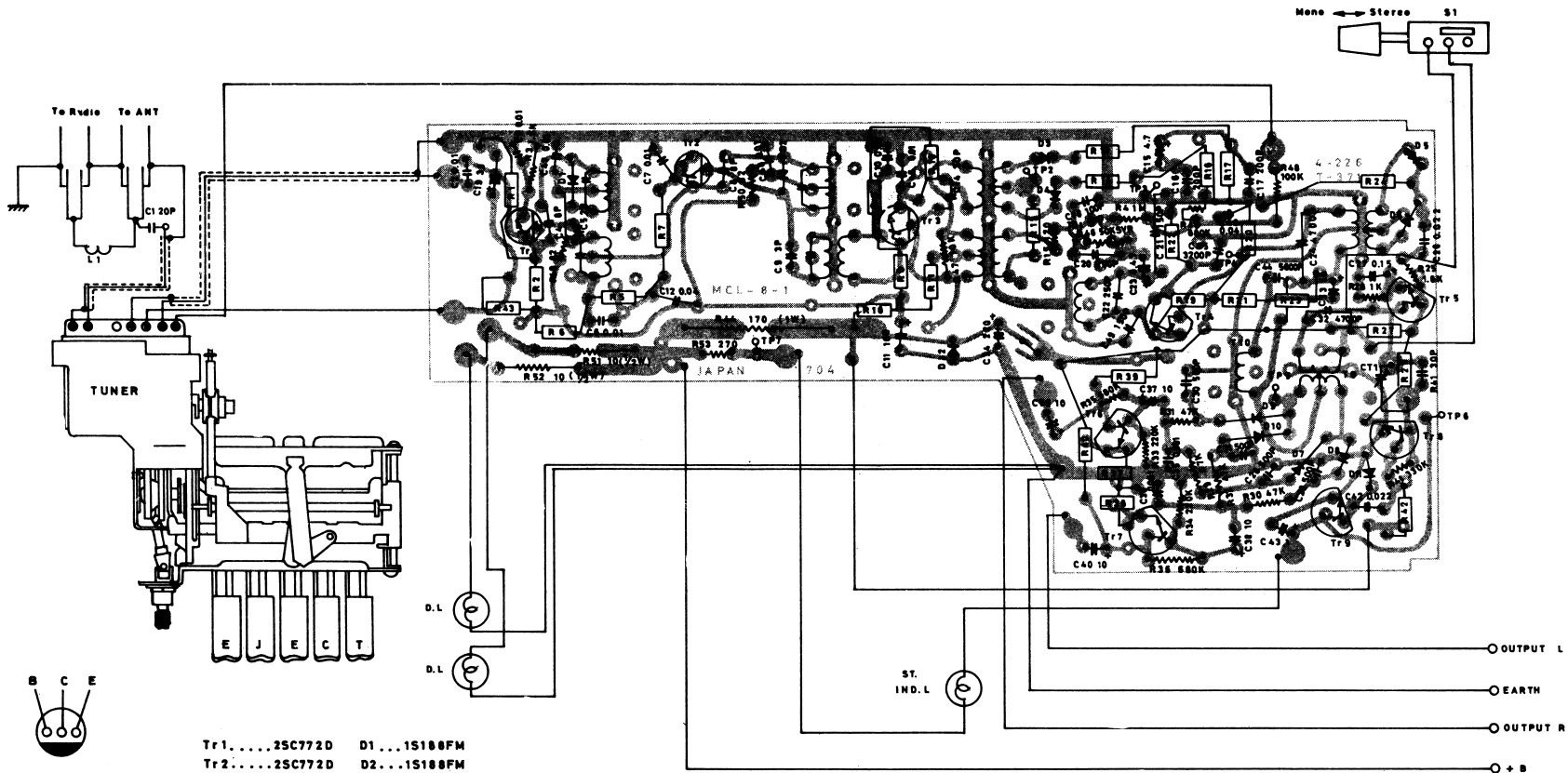


- Tr 101, 201 ... 25C 644
- Tr 102, 202 ... 25C 828
- Tr 103, 203 ... 25C 828
- Tr 104, 204 ... 25B 481
- Tr 105, 205 ... 25B 481
- TH101, 201 ... 5DT-02
- TH102, 202 ... 5DT-02

P. R. C. Values

- R102, 202... 47K
- R103, 203... 100K
- R104, 204... 6.8K
- R105, 205... 1K
- R106, 206... 2.4K
- R108, 208... 1K
- R109, 209... 10K
- R110, 210... 33K
- R112, 212... 220Ω
- R119, 219... 820Ω
- R120, 220... 470Ω
- R107..... 1.5K

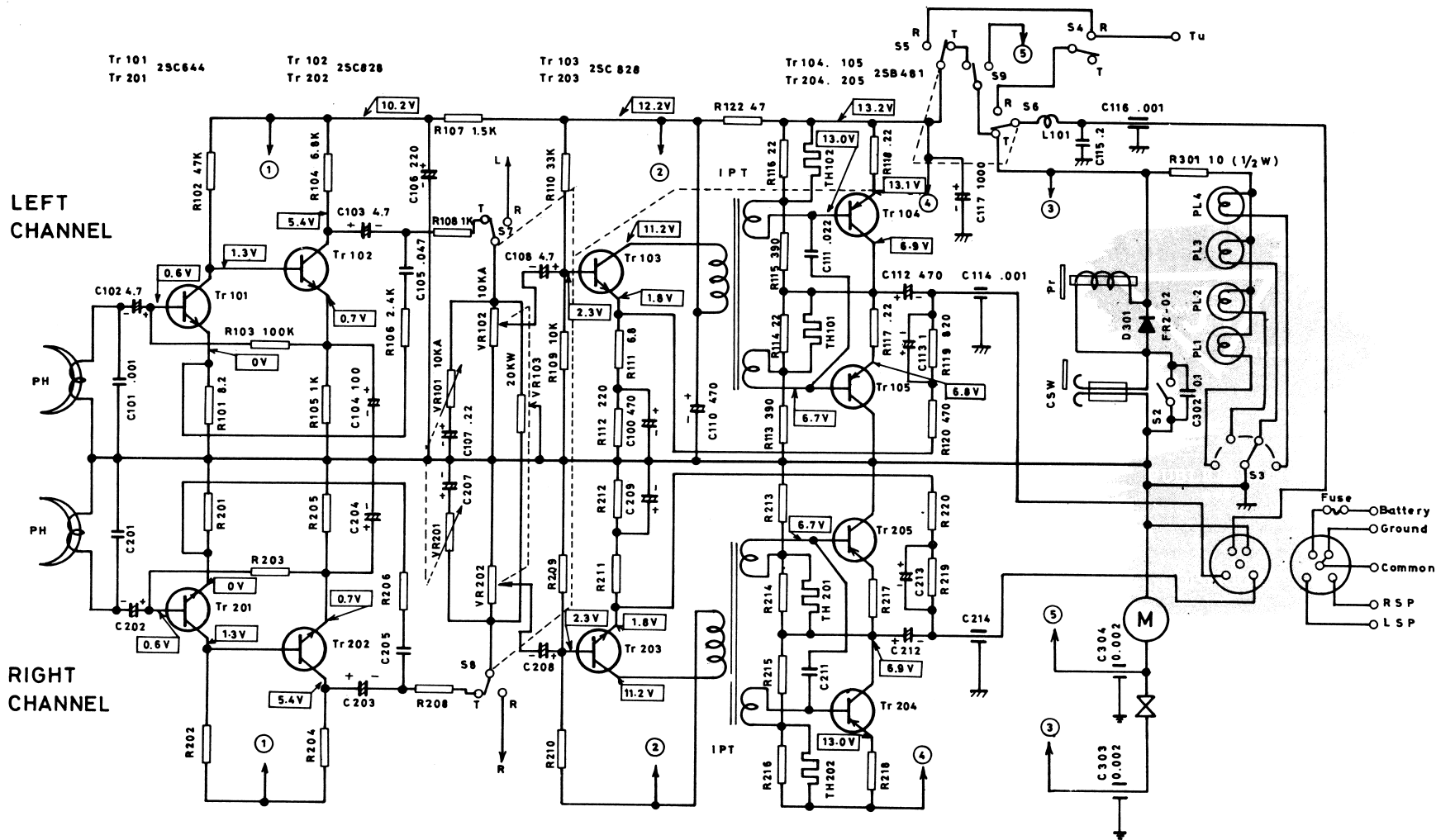




Tr 1.....25C772D	D1...1S100FM
Tr 2.....25C772D	D2...1S100FM
Tr 3.....25C772C	D3...1S100FM PAIR
Tr 4.....25C945Q	D4...1S100FM PAIR
Tr 5.....25C945R	D5...1S100FM PAIR
Tr 6.....25C945R	D6...1S100FM PAIR
Tr 7.....25C945R	D7...1S100FM MPX
Tr 8.....25C945R	D8...1S100FM MPX
Tr 9.....25C945R	D9...1S100FM MPX
	D10...1S100FM MPX
	D11...1S100AM
	D12...1S333V or RD9A

P.R.C. Values

82Ω....R49,R50	10K....R47
100Ω....R10	12K....R2,R6,R9
120Ω....R15	18K....R24
270Ω....R12	22K....R27,R21
330Ω....R11,R43	27K....R19,R46
1K....R13,R14,R20	100K....R40
1.5K....R3,R7	
1.8K....R25	
2.2K....R22	
4.7K....R1,R5,R6,R20,R26	
5.6K....R10,R17,R42	
6.8K....R36,R40	
8.2K....R23	



NOTE: 1. All resistor values in OHMS.
 Unless otherwise noted K=1000 ohms.
 2. All capacitor values in MFD.
 Unless otherwise noted P=Micro Micro Farad.

S2, SELECT SW
 S3, INDICATOR SW
 S4, RADIO ON-OFF SW
 S5,S6,S7,S8, RADIO-TAPE SW
 S9, FAST FORWARD SW