

SPECIFICATIONS

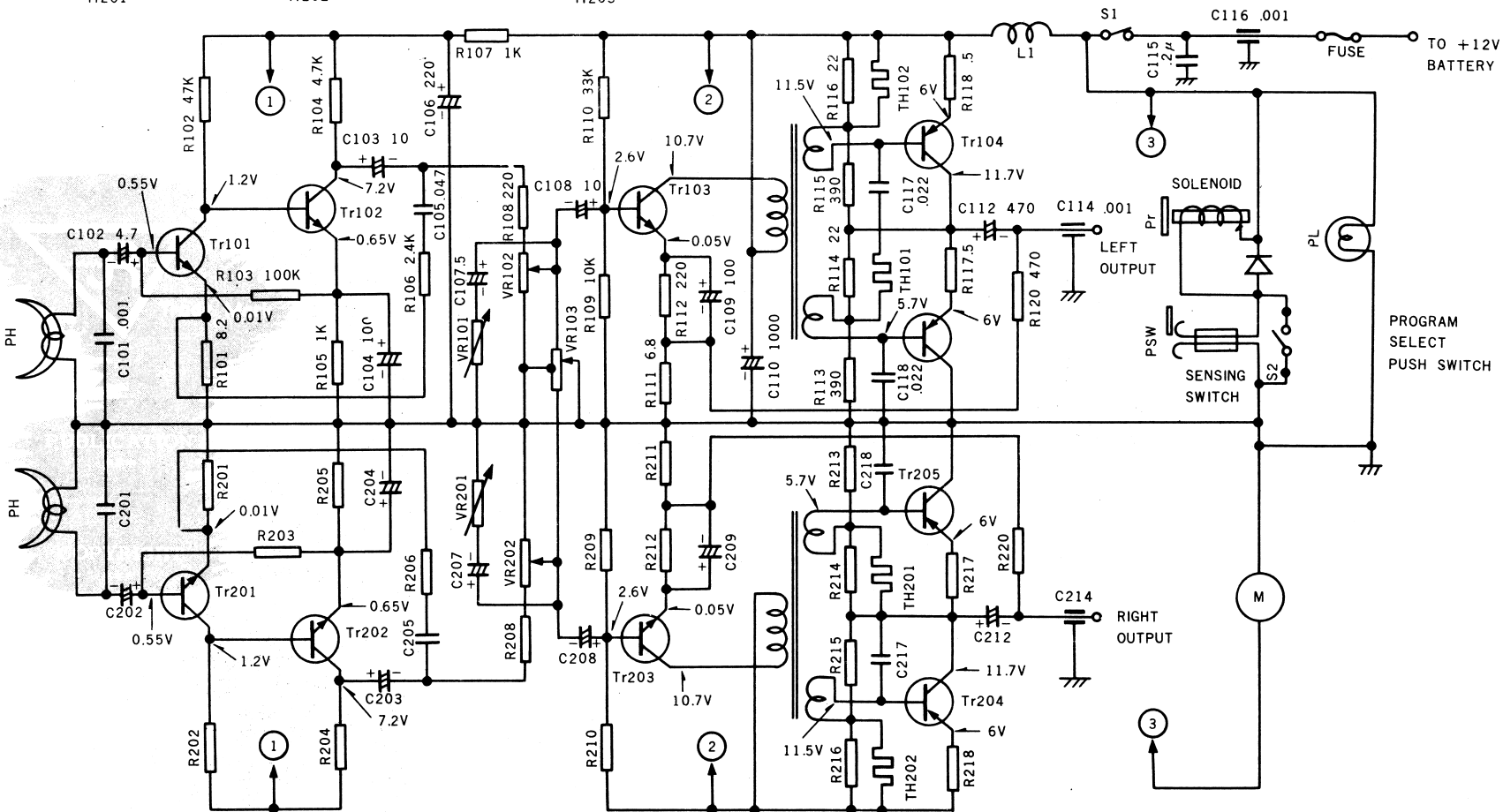
Power Supply12V storage battery, negative ground, or optional home power supply
 Current Drain1A at normal playback mode
 Power Output7.5W x 2
 Tape Speed3-3/4 ips.
 Tape UsedLEAR JET PAK
 8-track stereo tape cartridge
 Frequency Response30 ~ 10,000 Hz
 Wow & Flutter.....Less than 0.35% RMS
 Output impedance4 ohm
 Circuitry (Solid State)10 transistors
 2SC858 x 4, 2SC537 x 2
 2SB492 x 4
 4 thermistors
 SDT-02 x 4

Sanyo FT-840

S136

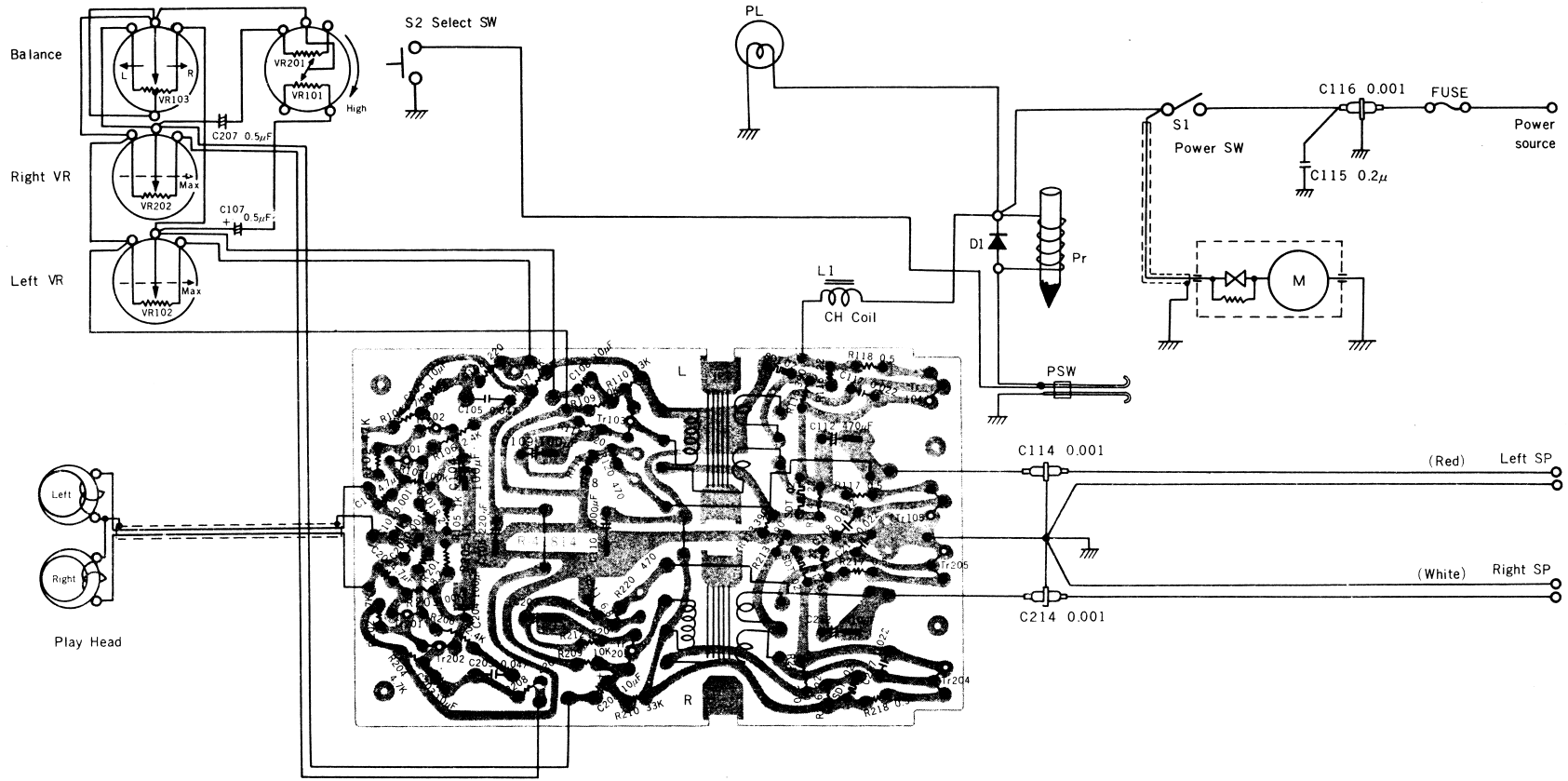


Tr101 2SC858 Tr102 2SC537 Tr103 2SC537 Tr104,105 2SB492
 Tr201 2SC858 Tr202 2SC537 Tr203 2SC537 Tr204,205 2SB492



NOTE: 1. All resistor values in OHMS.
 Unless otherwise noted K=1000 ohms.
 2. All copacitor values in MFD.
 Unless otherwise noted P=Micro Micro Farad.

3. Voltage measured from point indicated to chassis ground.
 4. Voltage tolerance ±10%.



Tr₁₀₃ Tr₂₀₁2SC858
 Tr₁₀₂ Tr₂₀₂ Tr₁₀₃ Tr₂₀₃2SC537
 Tr₁₀₄ Tr₂₀₄ Tr₁₀₅ Tr₂₀₅2SB492