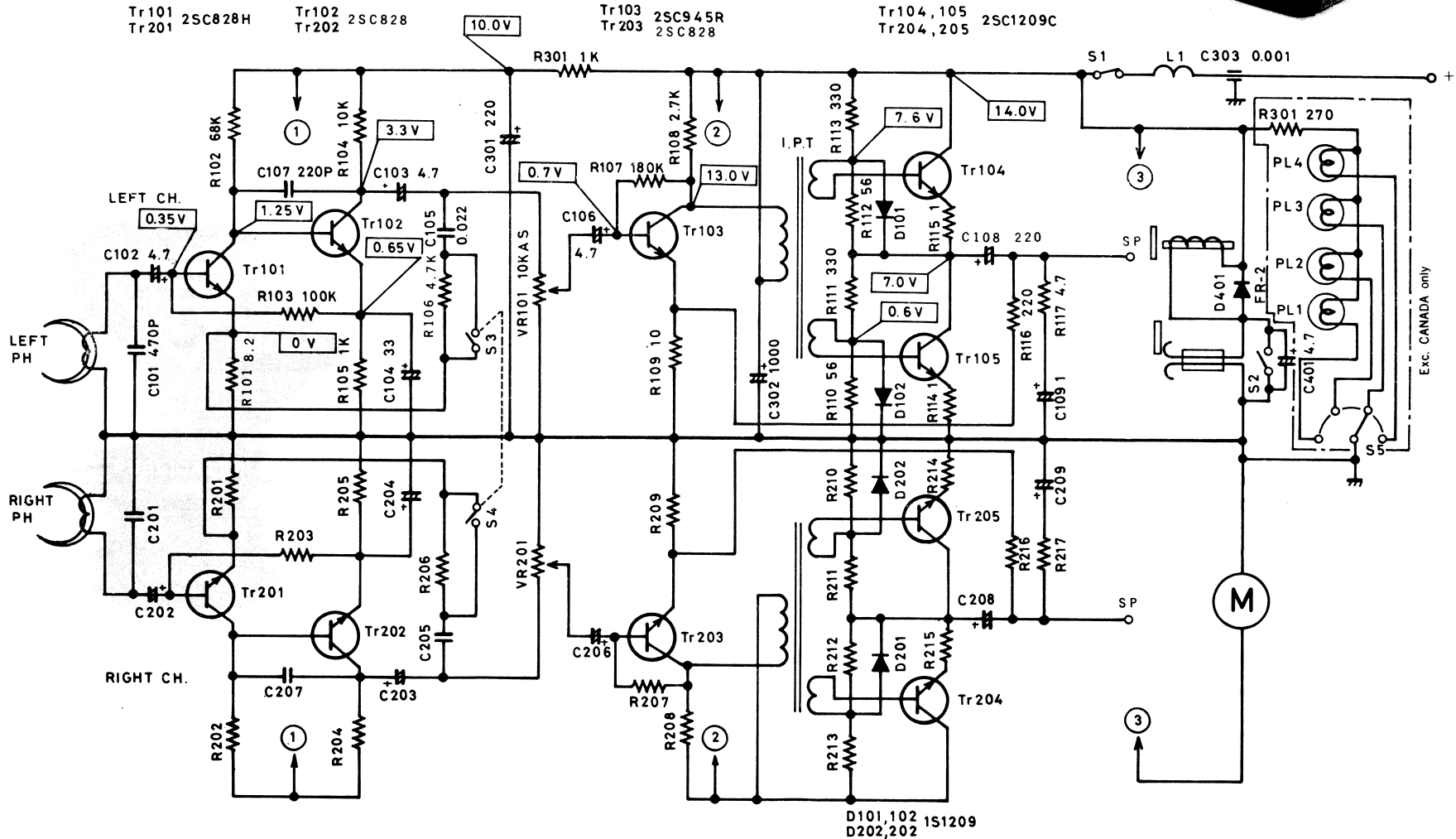
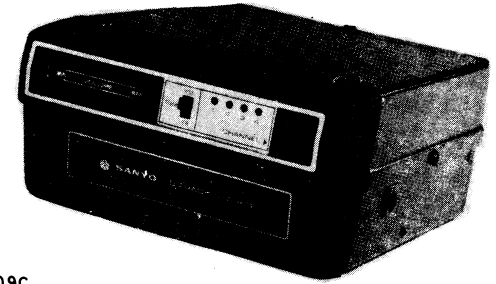


SPECIFICATIONS

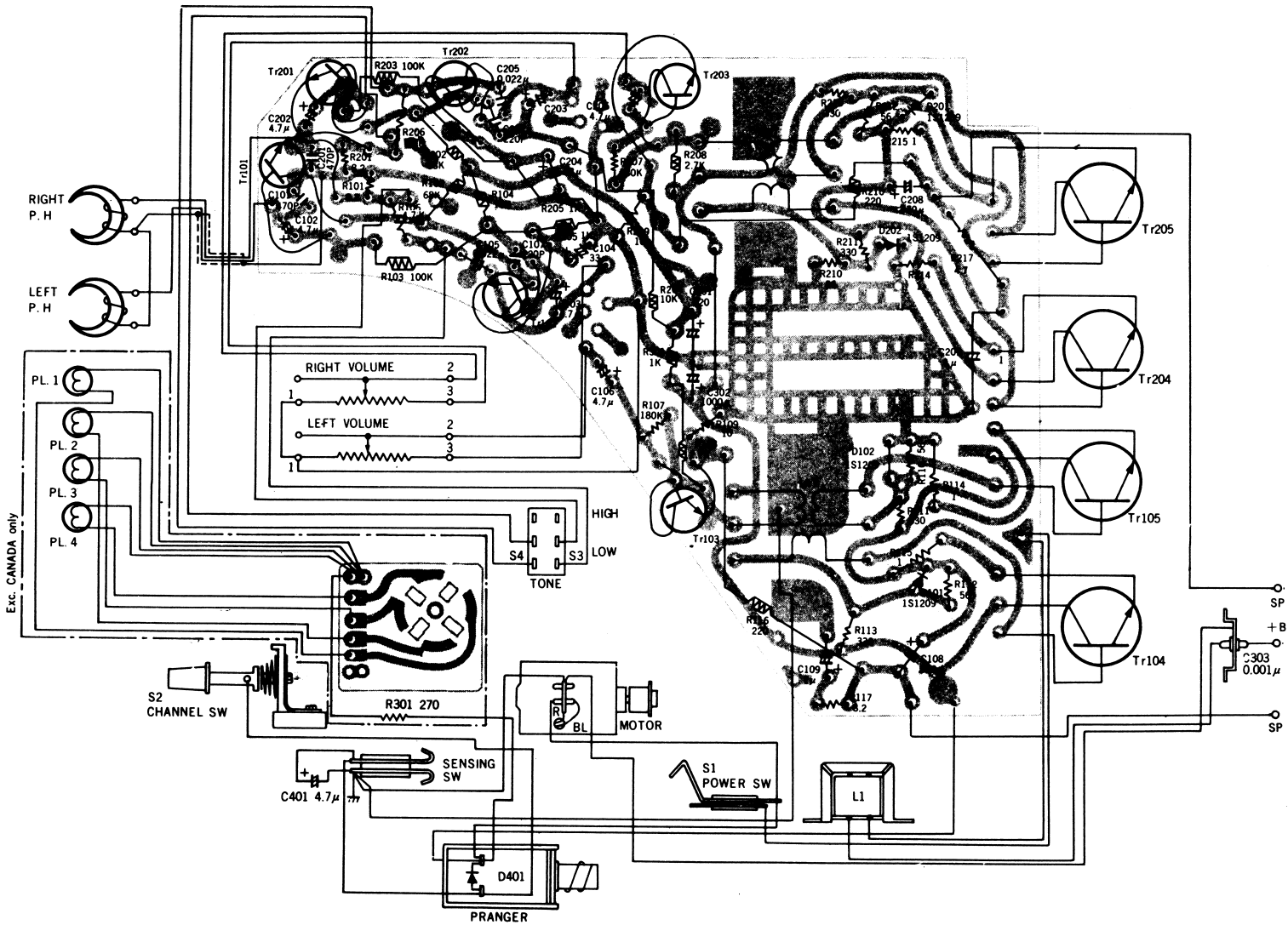
| | | | |
|------------------------|-------------------------------|-------------------------------|---|
| Tape: | 8 Track stereo tape cartridge | Separation (Between channel): | Better than 40dB |
| Tape speed: | 3 - 3/4 ips | Frequency response (Play): | 50 Hz ~ 8,000 Hz |
| Speed accuracy: | +2 - 3% | Transistors: | 10 |
| Wow & Flutter: | 0.4% | Diode: | 5 |
| Power output (Max.): | 3W | Dimensions (Without Bracket): | 7-7/8"(D) x 5-3/8"(W) x 2-7/8"(H) (approx.) |
| (10% dist.): | 2W | Weight (With out Bracket): | 4 lbs. 8 oz. (approx.) |
| Signal to noise ratio: | Better than 40dB | | |
| Cross talk: | Better than 55dB | | |



NOTE:

1. ALL RESISTOR VALUES IN OHMS.
UNLESS OTHERWISE NOTED
K=1000 OHMS.
2. ALL CAPACITOR VALUES IN MFD.
UNLESS OTHERWISE NOTED
P=MICRO MICRO FARAD.

- S1 POWER SW.
- S2 CHANNEL SW.
- S3 TONE H-L (L.CH)
(OFF) (ON)
- S4 TONE H-L (R.CH)
(OFF) (ON)
- S5 INDICATOR SW.



| |
|--------------------|
| Tr101, 201 2SC828 |
| Tr104, 204 2SC1209 |
| Tr105, 205 2SC1209 |
| |
| Tr102, 202 2SC945 |
| Tr103, 203 2SC945 |
| |
| Printed Resistor |