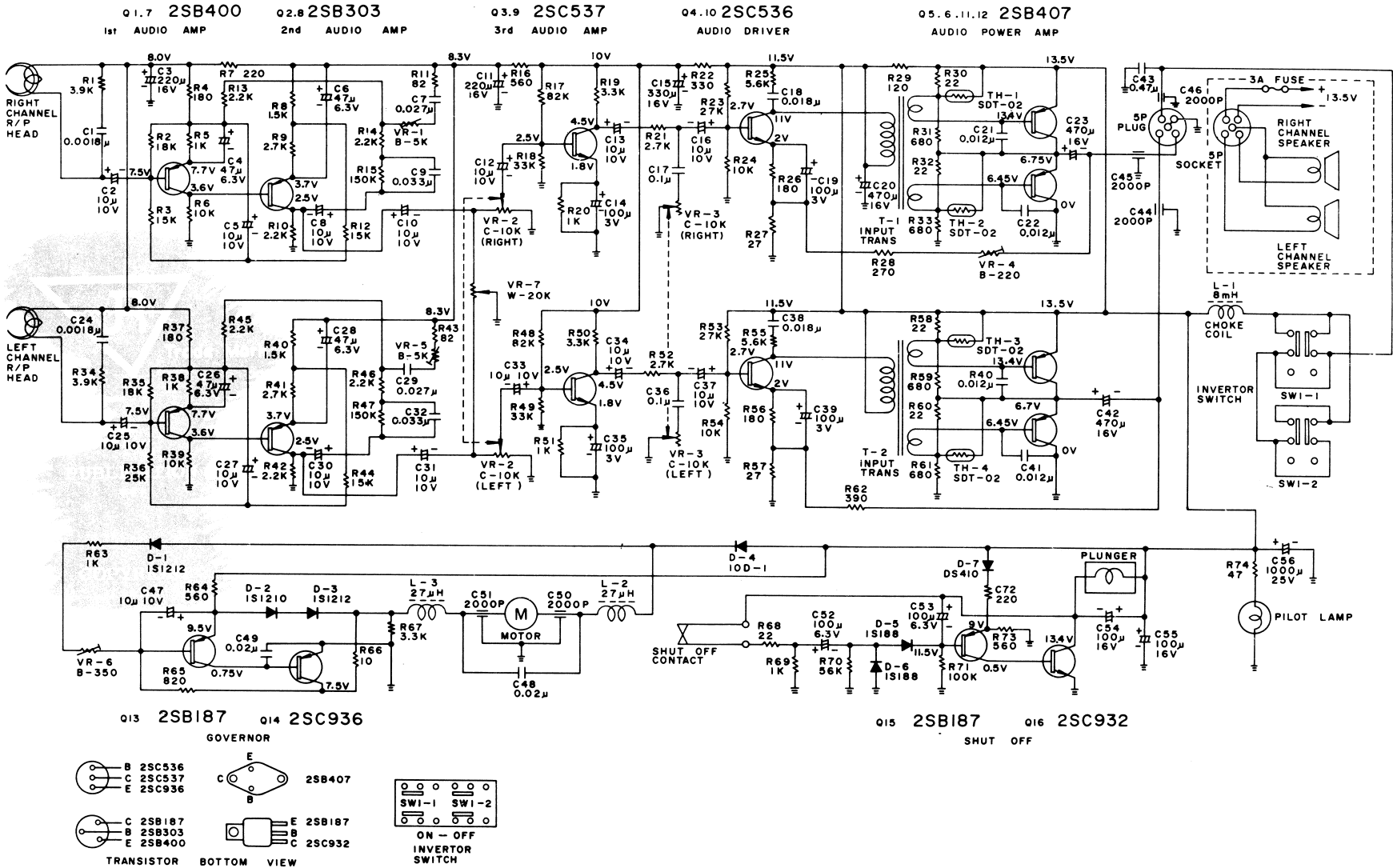
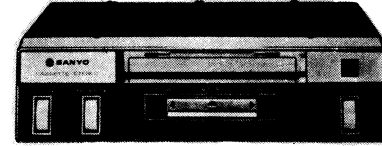
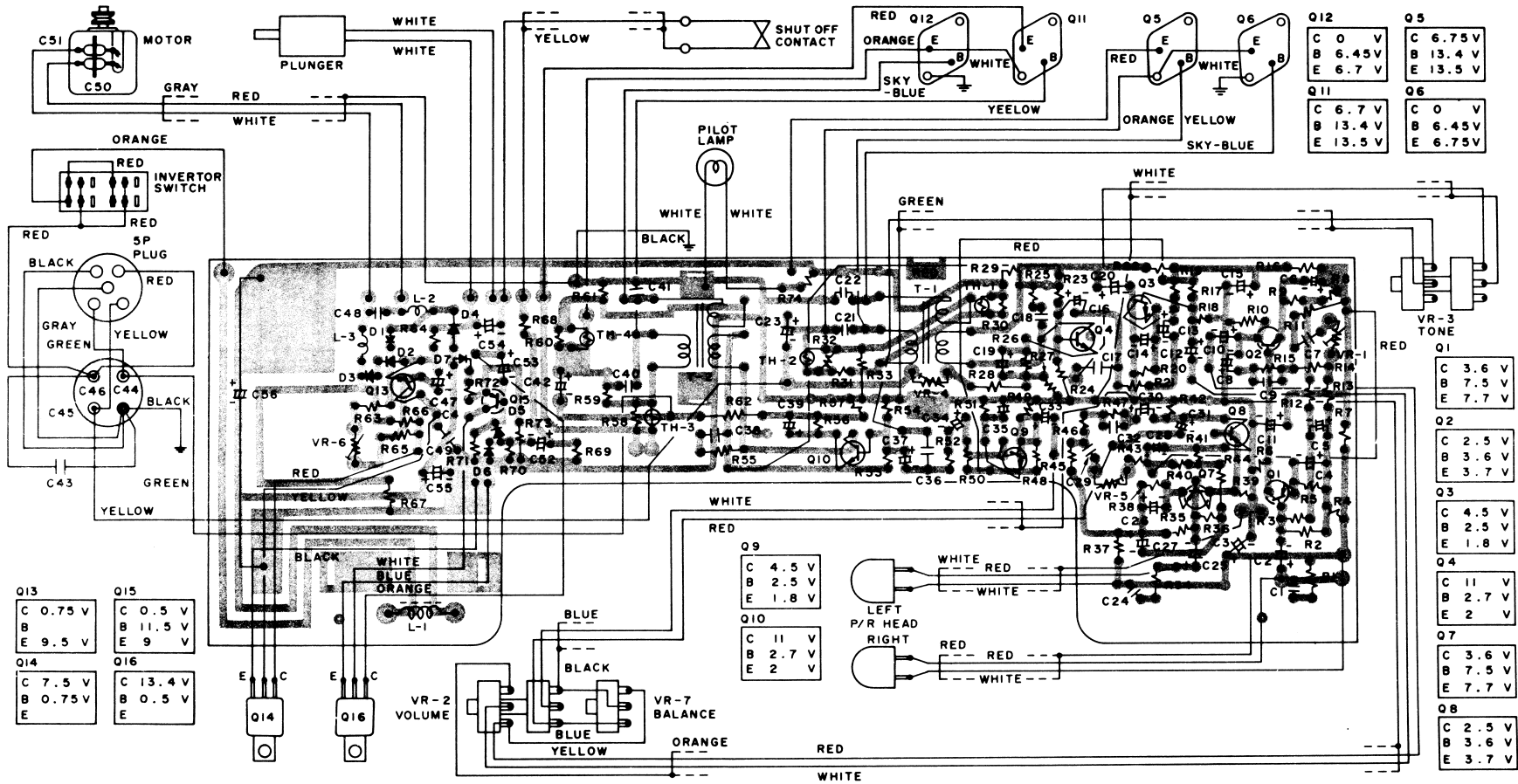


**SPECIFICATIONS**

Playback system 2-track monaural or 4-track stereo  
 Tape speed 1-7/8 ips (4.75 cm/sec)  
 Wow & flutter 0.3% RMS  
 Signal-to-noise ratio 40dB  
 Crosstalk 40dB  
 Output power Total 20W maximum power.  
 Frequency response 100-9000Hz

Transistors 16  
 Diodes 7  
 Thermistors 4  
 Power source DC 12V, negative ground  
 Dimensions 8-3/4" (W) x 8-3/16" (D) x 2-7/16" (H)  
 (222 x 207 x 62 mm)  
 Weight 5-1/2 lbs. (2.6kg)  
 Accessories Mounting bracket, microphone, cassette





Q12	C 0 V	Q5	C 6.75 V
	B 6.45 V		B 13.4 V
	E 6.7 V		E 13.5 V
Q11	C 6.7 V	Q6	C 0 V
	B 13.4 V		B 6.45 V
	E 13.5 V		E 6.75 V

Q1	C 3.6 V
	B 7.5 V
	E 7.7 V

Q2	C 2.5 V
	B 3.6 V
	E 3.7 V

Q3	C 4.5 V
	B 2.5 V
	E 1.8 V

Q4	C 11 V
	B 2.7 V
	E 2 V

Q7	C 3.6 V
	B 7.5 V
	E 7.7 V

Q8	C 2.5 V
	B 3.6 V
	E 3.7 V

Q9	C 4.5 V
	B 2.5 V
	E 1.8 V
Q10	C 11 V
	B 2.7 V
	E 2 V

Q13	C 0.75 V	Q15	C 0.5 V
	B 9.5 V		B 11.5 V
	E 9.5 V		E 9 V
Q14	C 7.5 V	Q16	C 13.4 V
	B 0.75 V		B 0.5 V
	E		E