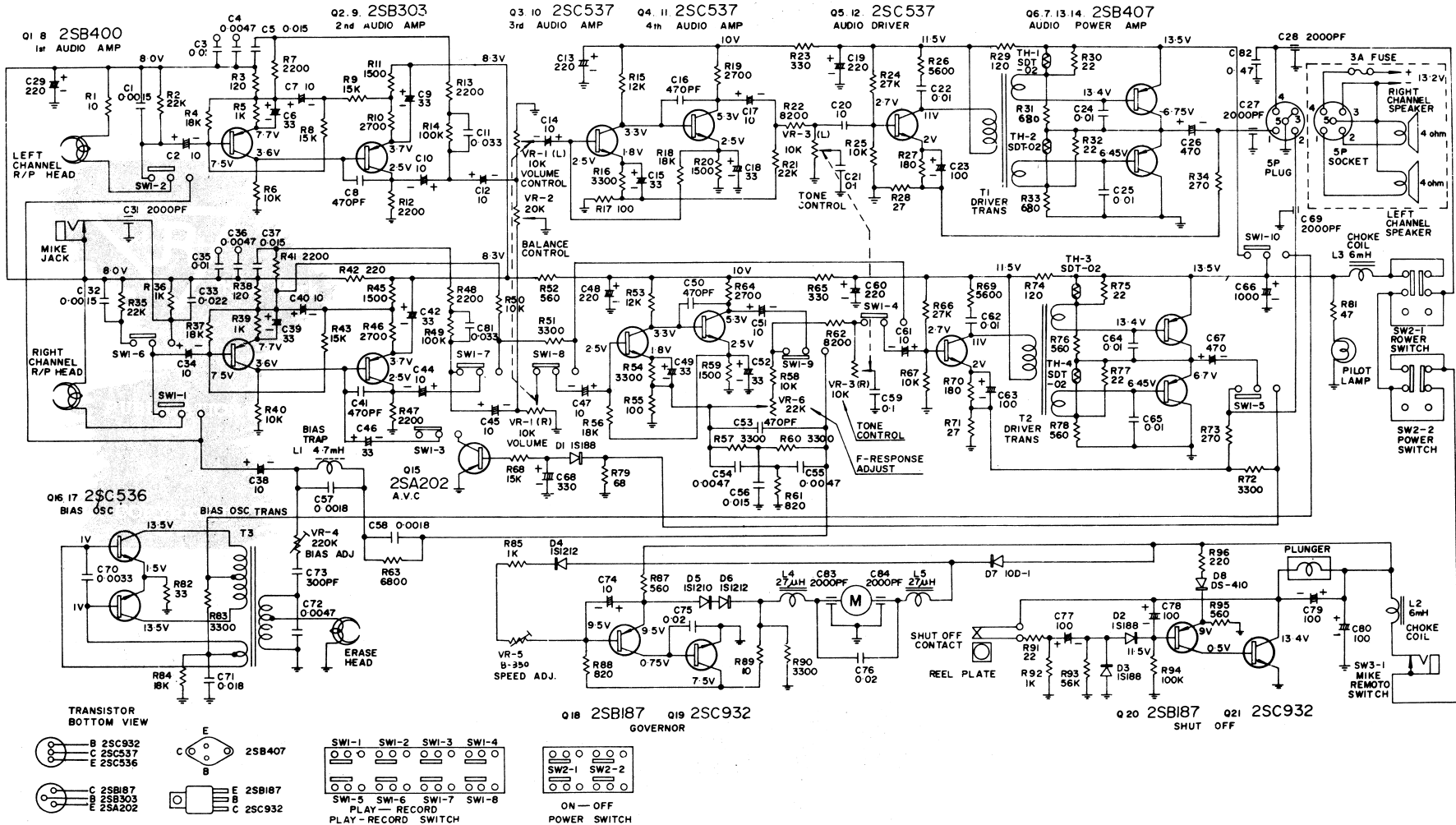
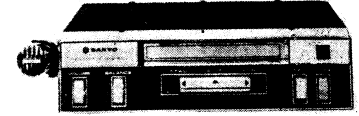


SPECIFICATIONS

Recording system	AC bias, 2-track monaural	Transistors	21
Playback system	2-track monaural or 4-track stereo	Diodes	7
Erasing system	AC erase	Thermistors	4
Tape speed	1-7/8 ips (4.75 cm/sec)	Power source	DC 12V, negative ground
Wow & flutter	0.3% RMS	Dimensions	8-3/4" (W) × 8-3/16" (D) × 2-7/16" (H) (222 × 207 × 62 mm)
Signal-to-noise ratio	40dB	Weight	5-1/2 lbs. (2.6kg)
Crosstalk	40dB	Accessories	Mounting bracket, microphone, cassette
Output power	Total 20W maximum power.		
Frequency response	100-10,000Hz		



NOTE: 1 ALL RESISTORS ARE OHM K=1,000 M=1,000,000

2 ALL CAPACITORS ARE MFD UNLESS OTHERWISE NOTED

3 VOLTAGE MEASURED FROM POINT INDICATED TO CHASSIS GROUND

4 VOLTAGE TOLERANCE -10%

