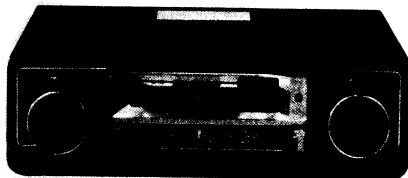


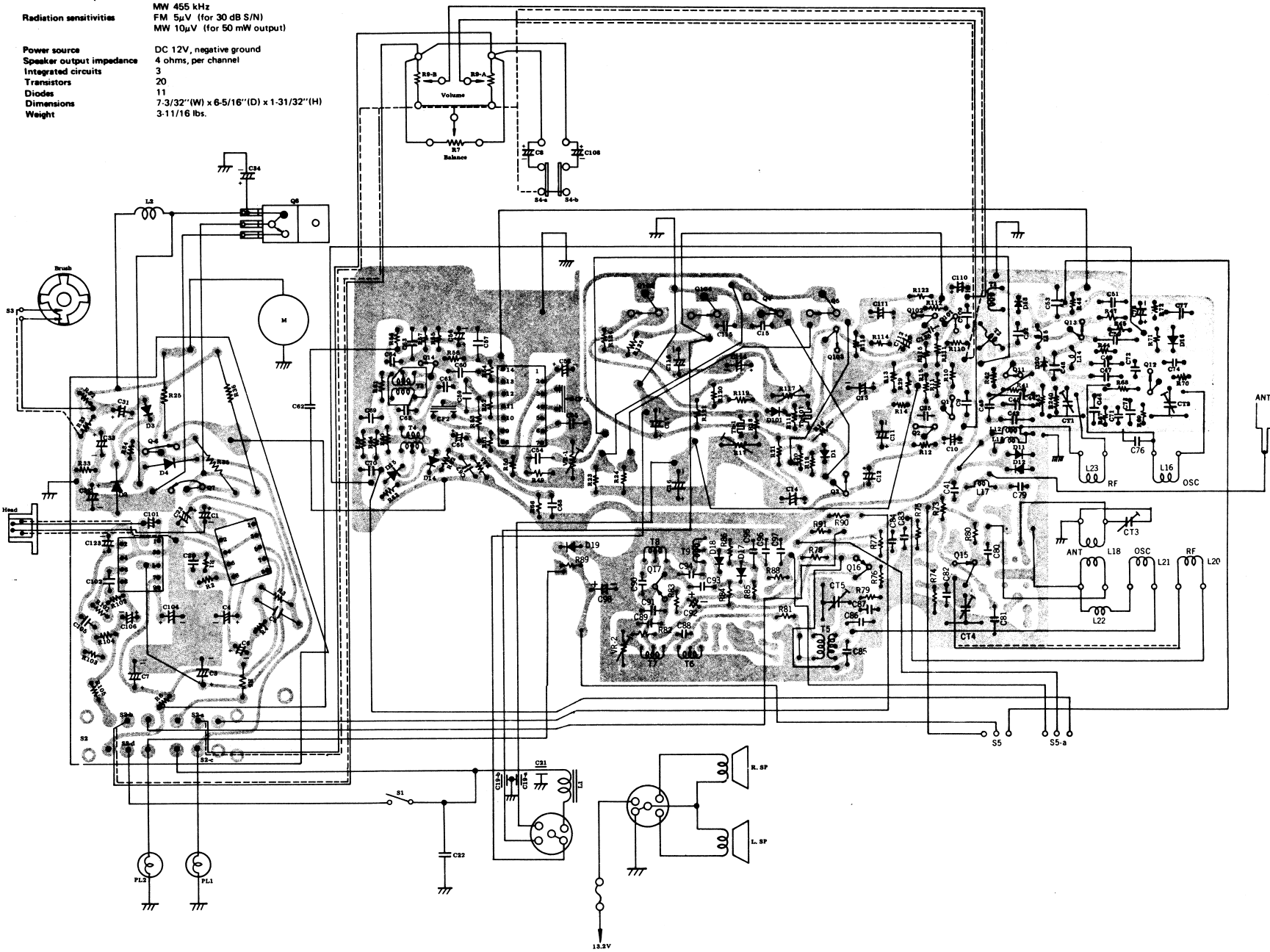
SPECIFICATIONS

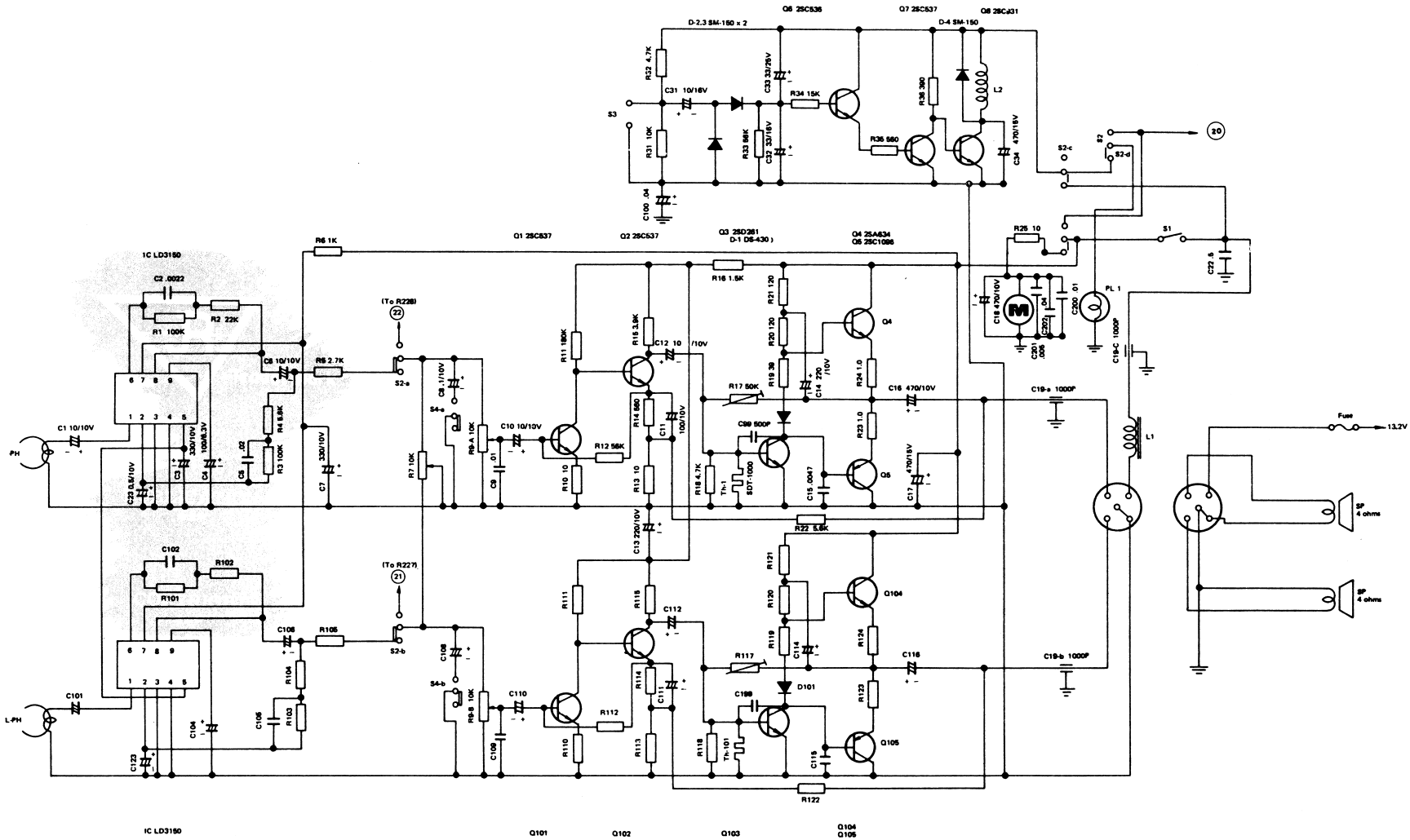
Tape	4 track stereo tape cassette
Tape Speed	1-7/8" ips. (4.75 cm/s)
Wow & flutter	0.3% RMS
Power Output	Maximum 5.0W 10% dist. 3.0W
Signal to noise ratio	35 dB
Cross-talk	35 dB
Stereo separation	35 dB
Frequency response	50 ~ 8,000 Hz
Receiving bands	FM 87.5 - 108 MHz MW 540 - 1,605 kHz
Intermediate frequencies	FM 10.7 MHz MW 455 kHz
Radiation sensitivities	FM 5 μ V (for 30 dB S/N) MW 10 μ V (for 50 mW output)
Power source	DC 12V, negative ground
Speaker output impedance	4 ohms, per channel
Integrated circuits	3
Transistors	20
Diodes	11
Dimensions	7-3/32"(W) x 6-5/16"(D) x 1-31/32"(H)
Weight	3-11/16 lbs.



Sanyo FT-4008

S130





S130

Sanyo FT-4008

