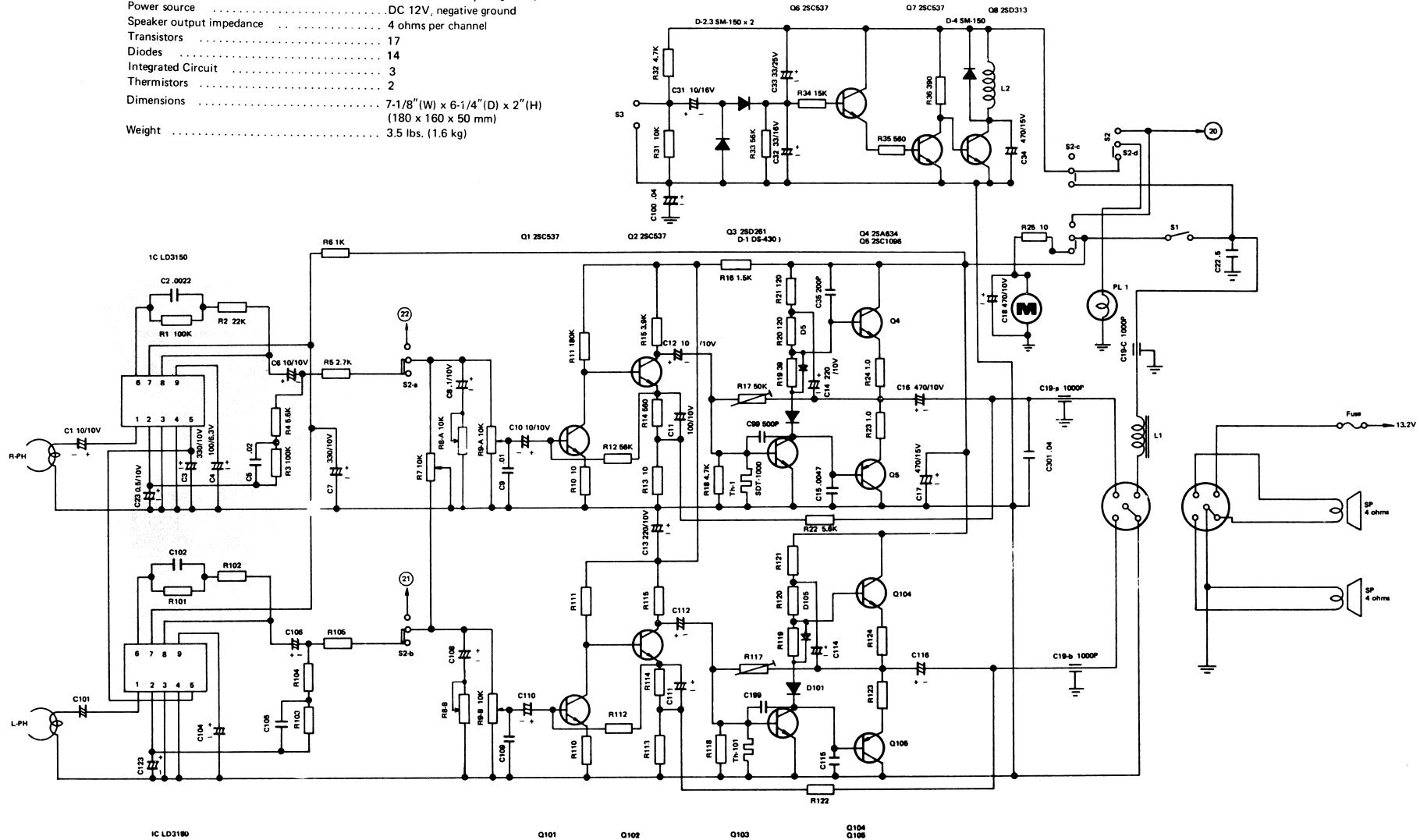
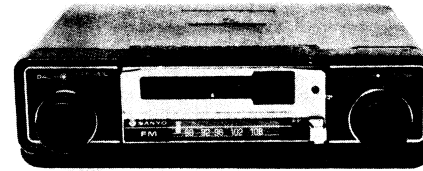
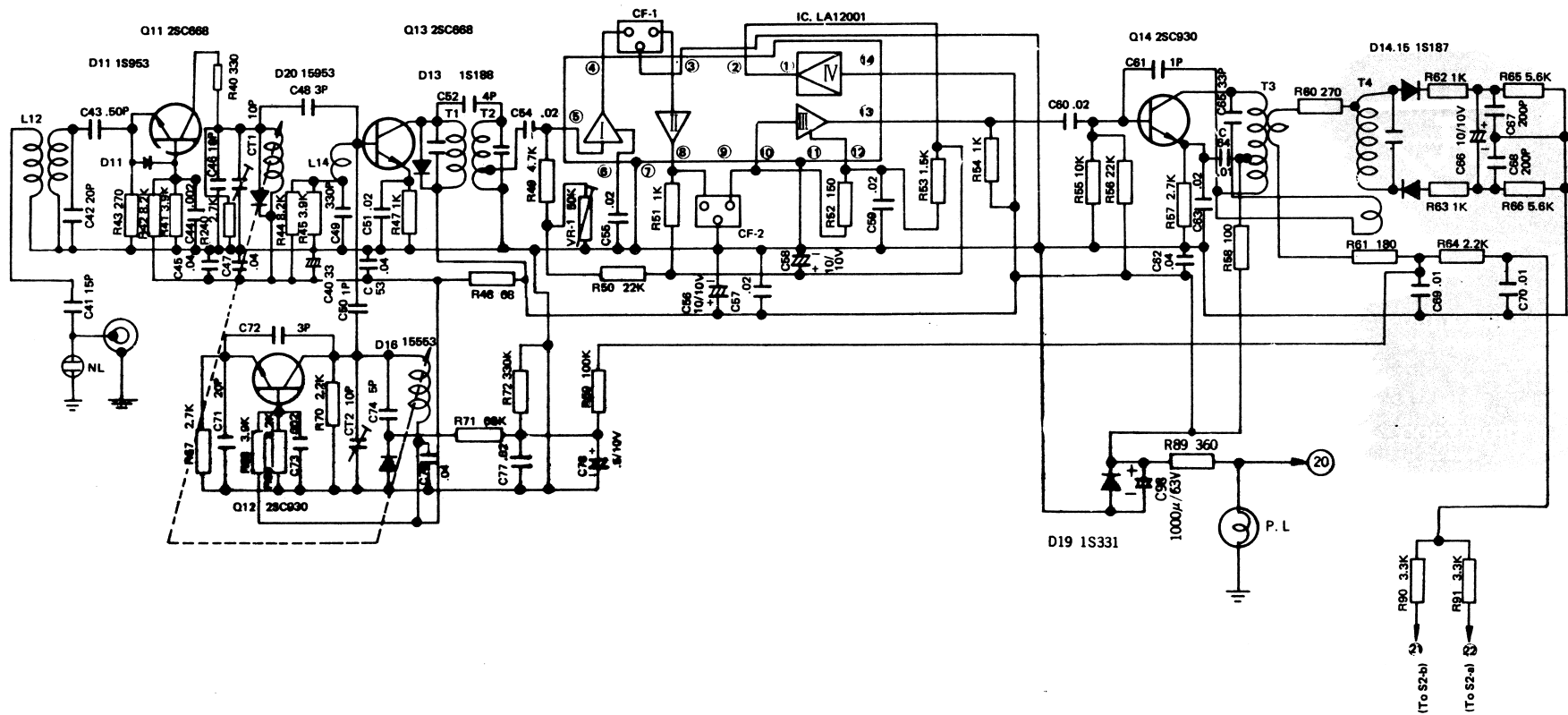


Tape	4 track stereo tape cassette
Tape speed	1-7/8 ips. (4.75 cm/s)
Wow & flutter	0.3% RMS
Power Output	Maximum 5.0W
	10% dist. 3.0W
Signal to noise ratio	35 dB
Cross-talk	35 dB
Stereo separation	35 dB
Frequency response	50 ~ 8,000 Hz
Receiving band	FM 87.5 ~ 108 MHz
Radiation sensitivity	FM 5 μ V (for 30 dB S/N)
Signal to noise ratio	FM 45 dB (at 25 μ V signal input)
Power source	DC 12V, negative ground
Speaker output impedance	4 ohms per channel
Transistors	17
Diodes	14
Integrated Circuit	3
Thermistors	2
Dimensions	7-1/8" (W) x 6-1/4" (D) x 2" (H)
	(180 x 160 x 50 mm)
Weight	3.5 lbs. (1.6 kg)





NOTE: Schematic shows circuitry for model FT-4002N.

In circuitry for FT-4002NW, are C74 and C75 used in series in place of C74.

