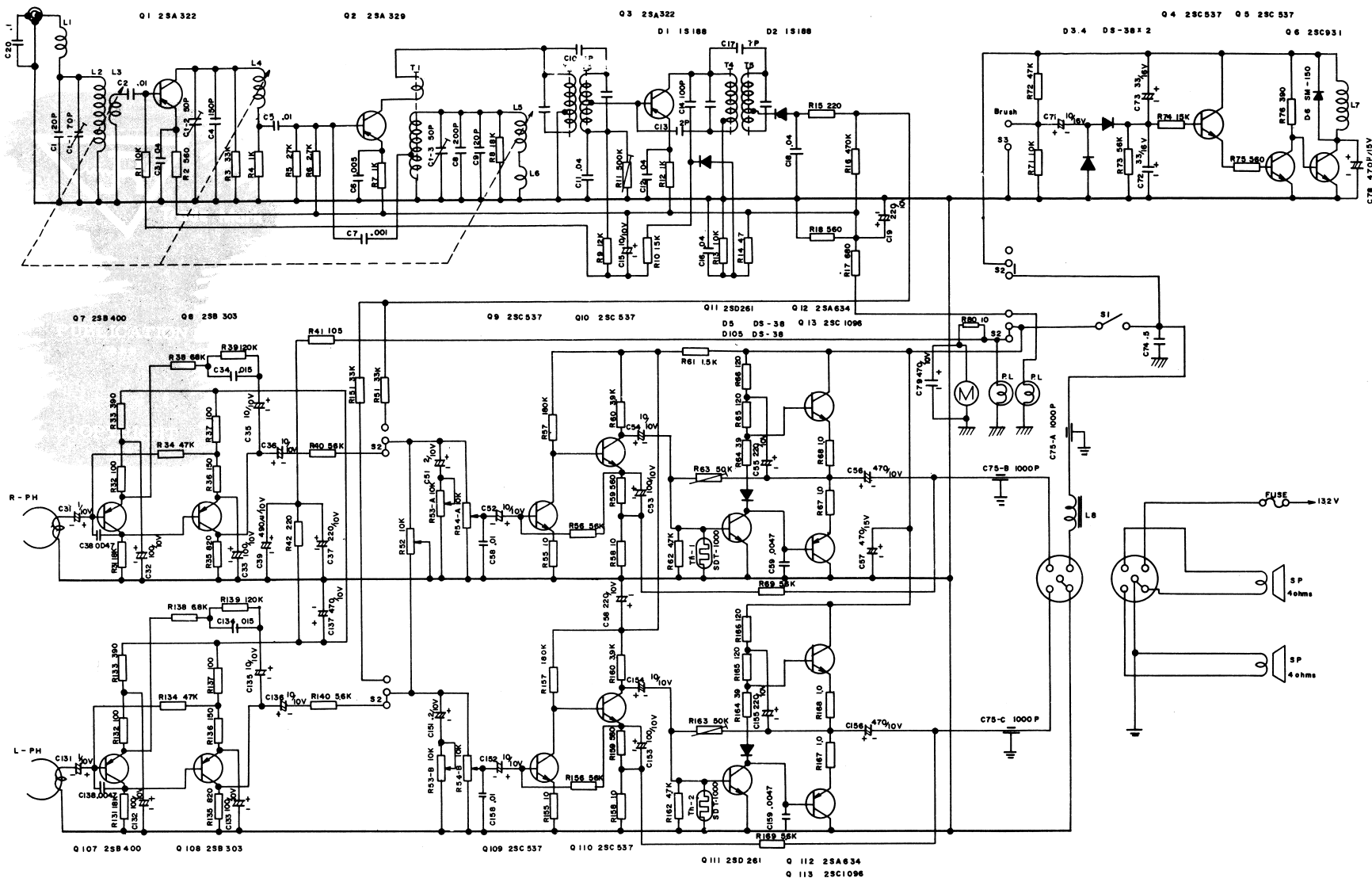
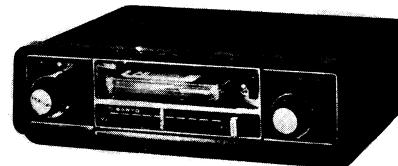


Tape	4 track stereo tape cassette
Tape speed	1-7/8 ips. (4.75 cm/s)
Wow & flutter	0.3% RMS
Power Output	Maximum 5.0W 10% dist. 3.0W
Signal to noise ratio	35 dB
Cross-talk	35 dB
Stereo separation	
Frequency response	50 ~ 8,000 Hz
Receiving band	MW 520 ~ 1,605 kHz
Radiation sensitivity	MW 8 $\mu$ V (for 500 mW output)
Signal to noise ratio	MW 20 dB (at 56 $\mu$ V signal input)
Power source	DC 12V, negative ground
Speaker output impedance	4 ohms per channel
Transistors	20
Diodes	7
Dimensions	6-7/8" (W) x 5-1/8" (D) x 2" (H) (175 x 132 x 50mm)
Weight	3.5 lbs. (1.6 kg)

Sanyo FT-4001

S126



2SC 921

2SD 261

2SC 1096

