

CARTRIDGE

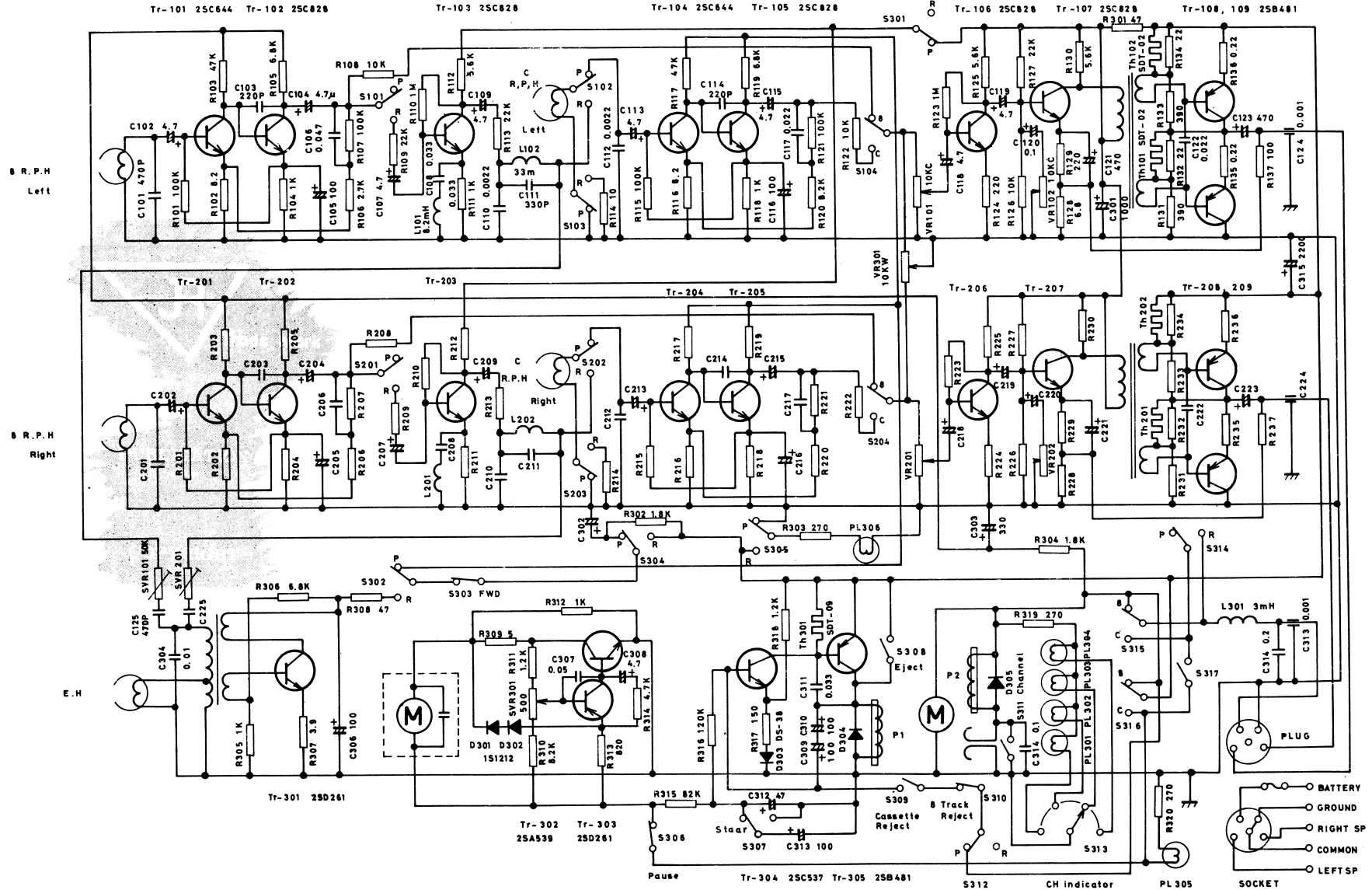
Tape 8 track stereo tape cartridge
 Tape speed 3-3/4 ips
 Speed variation Better than 1.0%
 Wow & Flutter Better than 0.22%

CASSETTE

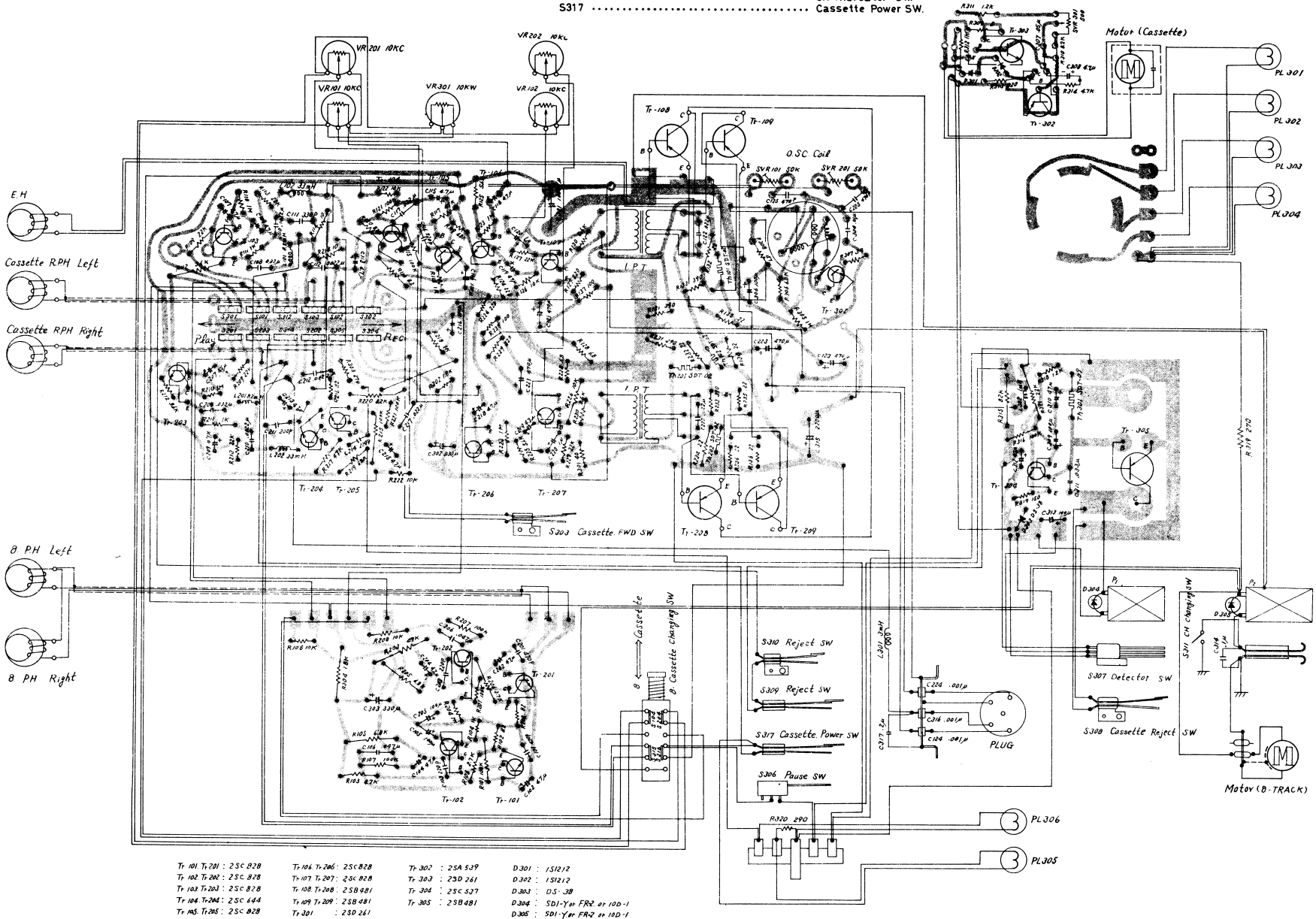
Tape 4 track Stereo Cassette
 Tape speed 1-7/8 ips
 Wow & Flutter Better than 0.35%
 Fast forward & Rewind time 1'50"
 Speed variation Better than 1.0%

GENERAL

Cross talk Better than -60dB
 Power supply DC 12V
 Speaker output impedance 8Ω
 Power output 5.0W x 2 MAX.
 3.5W x 2
 Distortion 2.5%
 S/N Better than -47dB
 Frequency 50 - 10,000Hz
 Transistors 21
 Diodes 2
 Thermistor 4
 Dimensions 11-5/8"(W) x 8-5/8"(D) x 3-1/8"(H)
 Weight 9.4lbs.



- S101, S103, S201, S203, S301, S302 RP SW at Play Position.
- S304, S305, S312, S314 RP SW at Play Position.
- S104, S204, S315, S316 8-Cassette Changing SW.
- S303 Cassette FWD SW.
- S306 Pause SW.
- S307 Stair SW.
- S308 Cassette Eject SW.
- S309, S310 Reject SW.
- S311 CH Changing SW.
- S313 CH Indicator SW.
- S317 Cassette Power SW.



Tr-101 Tr-201 : 2SC 828	Tr-104 Tr-206 : 2SC 828	Tr-307 : 2SA 539	D-301 : 15E12
Tr-102 Tr-202 : 2SC 828	Tr-107 Tr-207 : 2SA 828	Tr-303 : 2SD 261	D-302 : 15E12
Tr-103 Tr-203 : 2SC 828	Tr-108 Tr-208 : 2SB 481	Tr-304 : 2SC 537	D-303 : 0S-38
Tr-104 Tr-204 : 2SC 444	Tr-109 Tr-209 : 2SB 481	Tr-305 : 2SB 481	D-304 : SD-Y or FRQ of 100-1
Tr-105 Tr-205 : 2SC 828	Tr-301 : 2SD 261		D-305 : SD-Y or FRQ of 100-1