

SPECIFICATIONS

CIRCUIT SYSTEM7 transistor plus 3 diodes superheterodyne with RF amplification. Manual tuning and push-button tuning.

FREQUENCY RANGEBC 535~1605 Kc
 SW₁ 3.2~7.3 Mc
 SW₂ 9.2~12 Mc

SENSITIVITY (for 500mW output).....
 BC 10μV/m (12V), 15μV/m (6V)
 SW₁ 20μV/m (12V), 25μV/m (6V)
 SW₂ 30μV/m (12V), 35μV/m (6V)

OUTPUT POWERMax. 5W (12V) 3W (6V)
 Undistorted 3.5W (12V) 2W (6V)

POWER SUPPLY12 and 6V (Reversible polarity)

CURRENT DRAINNo signal 150 mA (12V) 120 mA (6V)
 Max. 500 mA (12V) 700 mA (6V)

LOUDSPEAKER5"×7" permanent dynamic, Voice coil impedance 4 ohms

TRANSISTORS2SA324 RF Amp.
 2SA222 Conv.
 2SA322 IF Amp.
 2SB186 AF Amp.
 2SB186 Driv.
 2SB254U or 2SB474×2 Power Amp.

DIODES1S994 Stab.
 1S188 AGC.
 1S188 Det.

THERMISTORSSDT-20 Temp. Comp.
 SDT-1000×2 Temp. Comp.

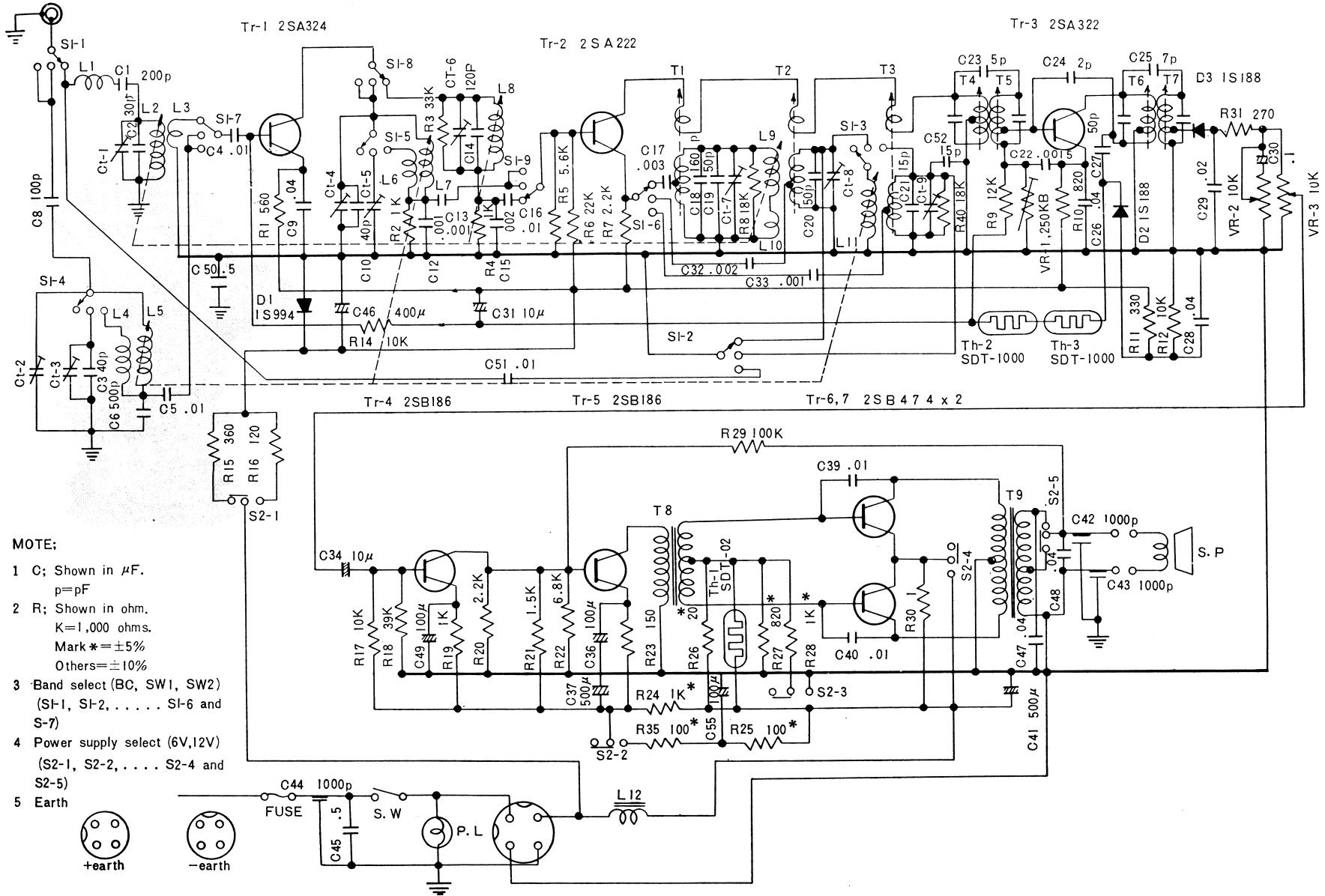
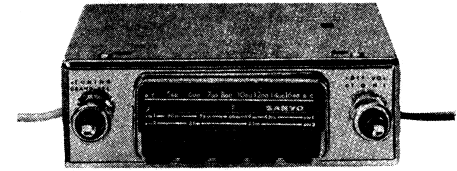
DIMENSION S160 (Width)×50 (Height)×160 mm (Depth)

SHAFT SPACING130 mm (Distance between control shafts)

WEIGHT.....Radio unit 2.5Kg Speaker unit 1 Kg

Sanyo F-8504

S 122



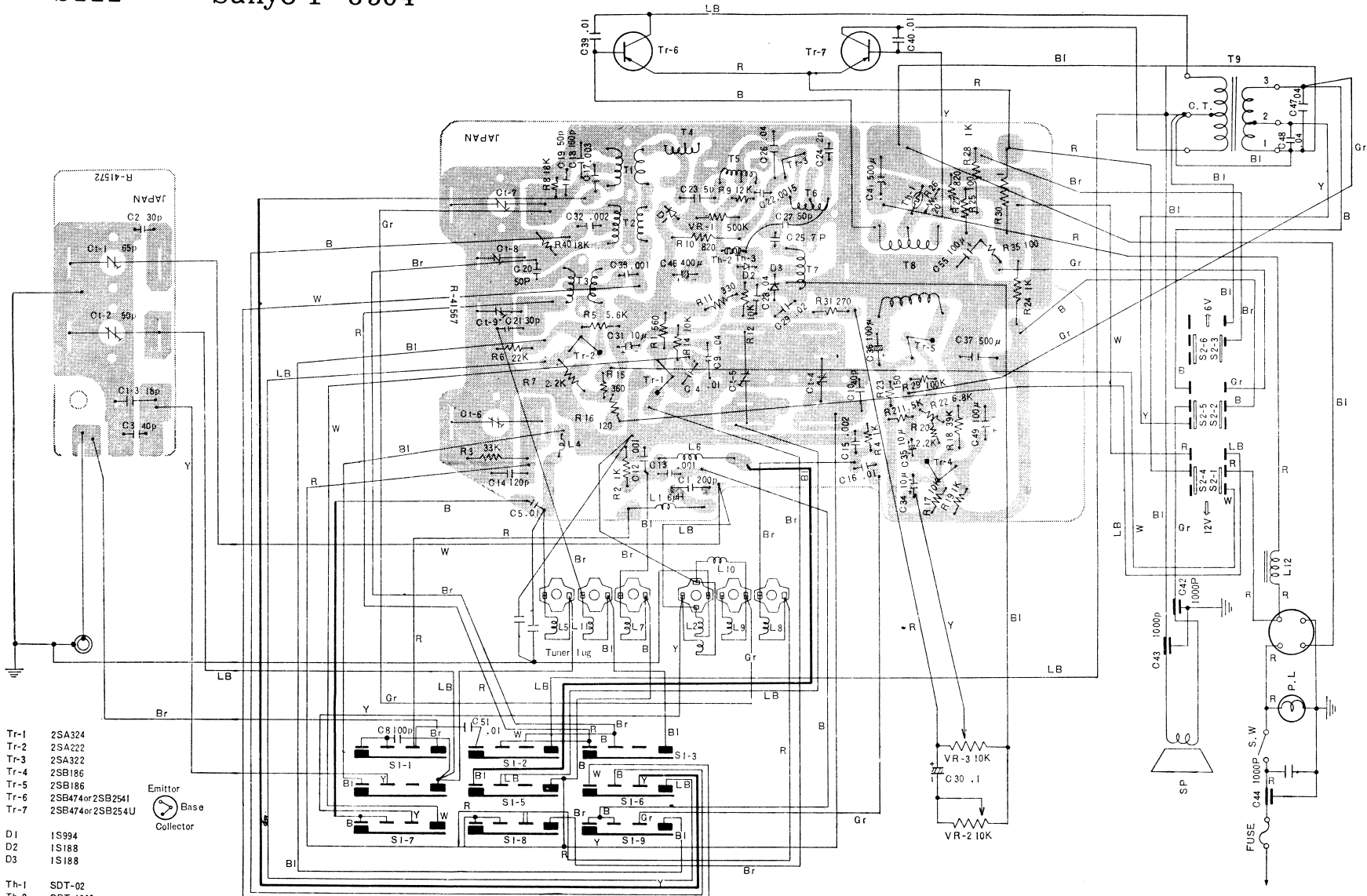
NOTE:

- 1 C; Shown in μF.
p=pF
- 2 R; Shown in ohm,
K=1,000 ohms.
Mark * = ±5%
Others = ±10%
- 3 Band select (BC, SW1, SW2)
(SI-1, SI-2, SI-6 and
S-7)
- 4 Power supply select (6V,12V)
(S2-1, S2-2, S2-4 and
S2-5)
- 5 Earth



S122

Sanyo F-8504



- Tr-1 2SA324
- Tr-2 2SA222
- Tr-3 2SA322
- Tr-4 2SB186
- Tr-5 2SB186
- Tr-6 2SB474or2SB254I
- Tr-7 2SB474or2SB254U

- D1 1S994
- D2 1S188
- D3 1S188

- Th-1 SDT-02
- Th-2 SDT-1000
- Th-3 SDT-1000

