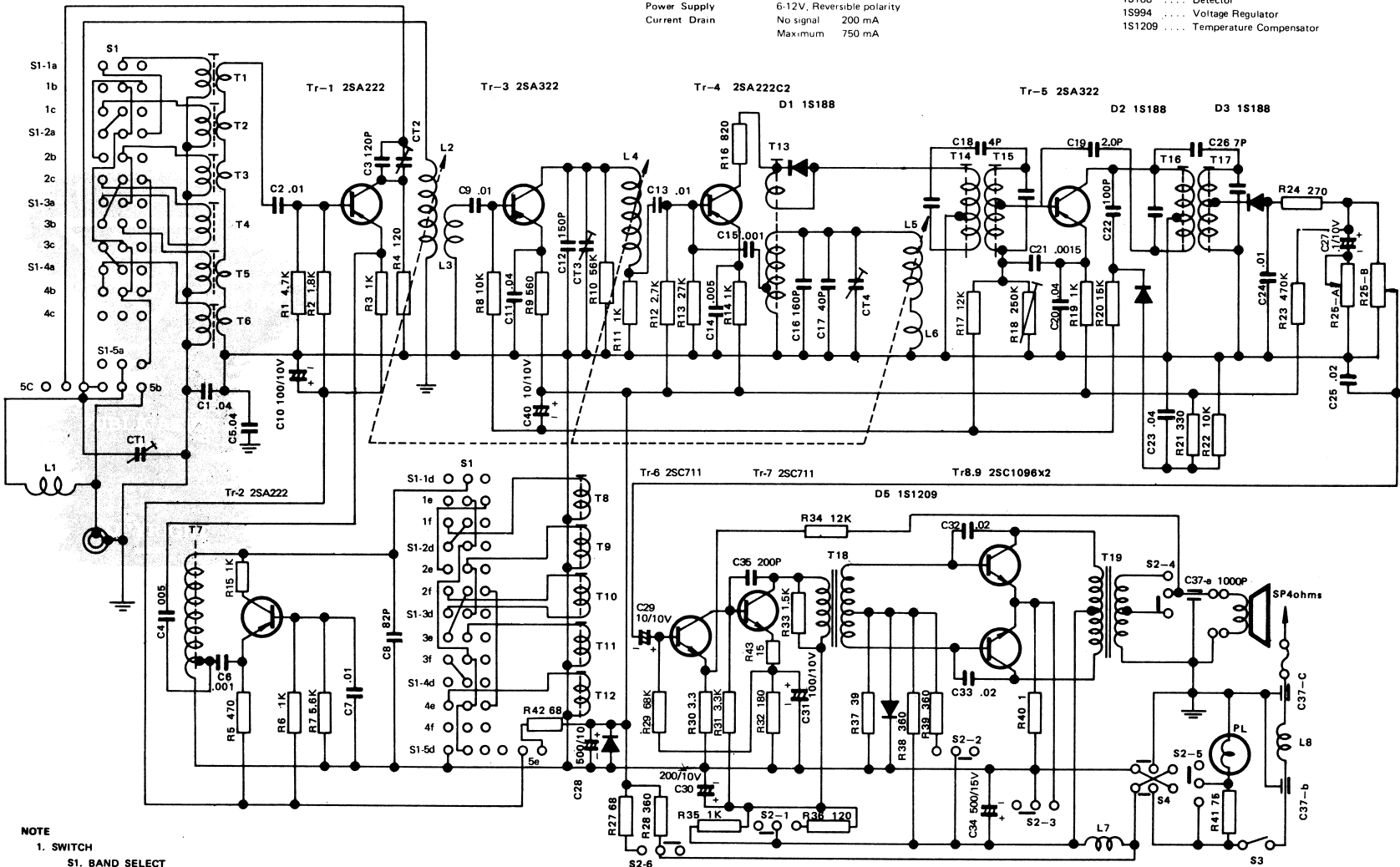


SPECIFICATIONS

Circuit System	All transistorized super-heterodyne with an RF amplifier	Audio Output Impedance	4 ohms
Frequency Range	MW 540 - 1605 kHz SW 25m, 31m 41m, 49m, 60m, 90m	Dimensions	6-11/16"(W) x 1-3/4"(H) x 5-1/2"(D)
Intermediate Frequency	455 kHz	Transistor	2SA222 1st Frequency Converter 2SA222 SW Local Oscillator 2SA322 RF Amplifier 2SA322 2nd Frequency Converter 2SA322 IF Amplifier 2SC711 Audio Amplifier 2SC711 Audio Amplifier 2SC1096x2 Audio Output (Push-pull)
Sensitivity (for 500 mW output)	MW 25 μ V SW 10 μ V	Diodes	1S188 Overload Limiter 1S188 AGC 1S188 Detector 1S994 Voltage Regulator 1S1209 Temperature Compensator
Signal to Noise Ratio (at 56 μ V signal input)	28 dB		
Selectivity (at 1000 kHz)	25 dB		
Output Power	Maximum 6W/13.2V 3.5W/6.6V Undistorted 4W/13.2V 1.8W/6.6V		
Power Supply	6-12V, Reversible polarity		
Current Drain	No signal 200 mA Maximum 750 mA		



NOTE

1. SWITCH
 - S1. BAND SELECT
 - S2. 6V - 12V
 - S3. POWER SUPPLY
 - S4. POLARITY
2. R; RESISTOR VALUES IN OHMS. (K=1000)
3. C; CONDENSER VALUES IN MICRO FARADS.
(P = MICRO MICRO FARADS.)

