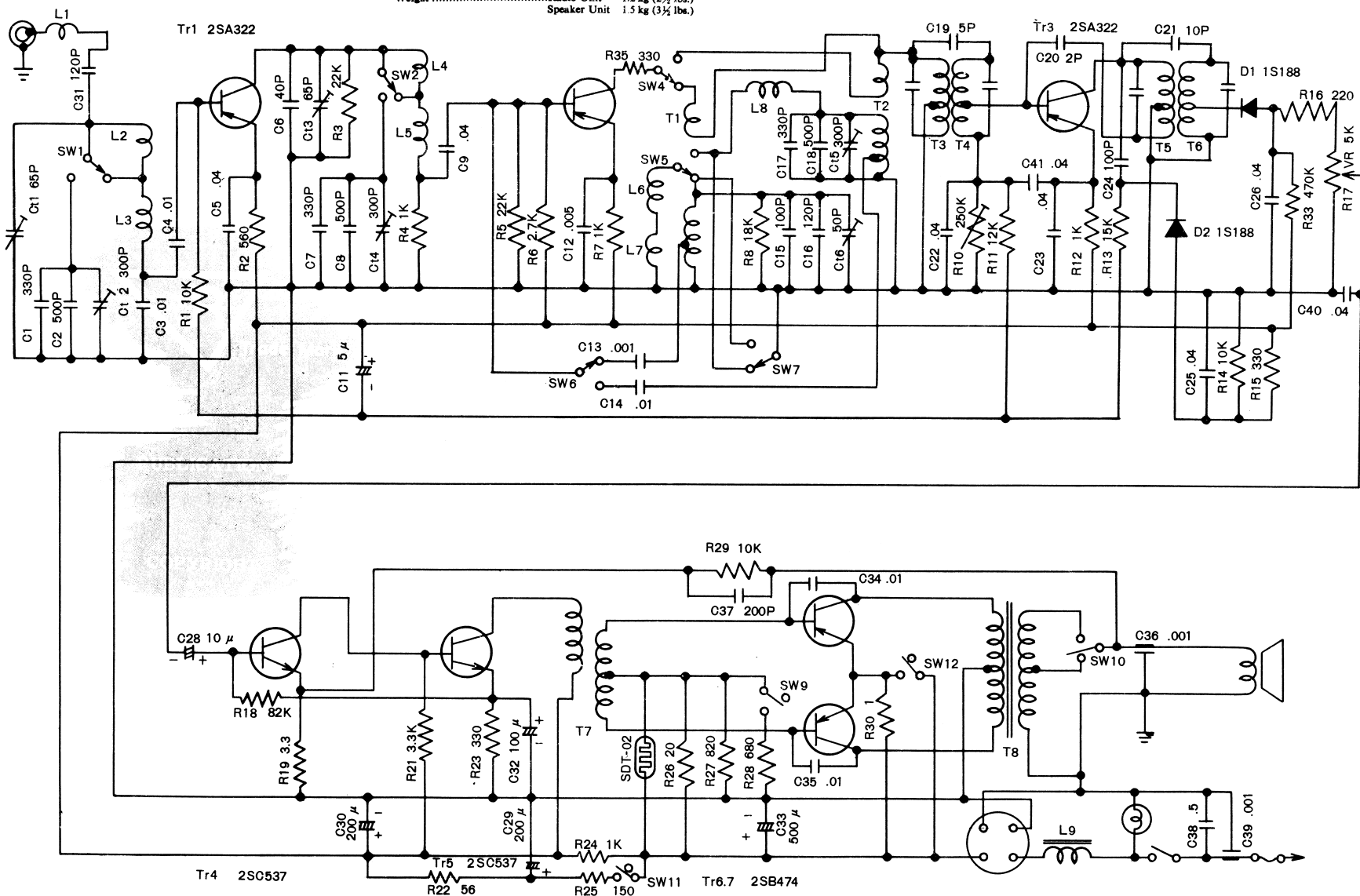
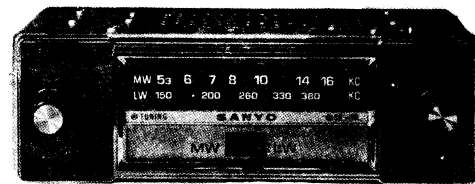


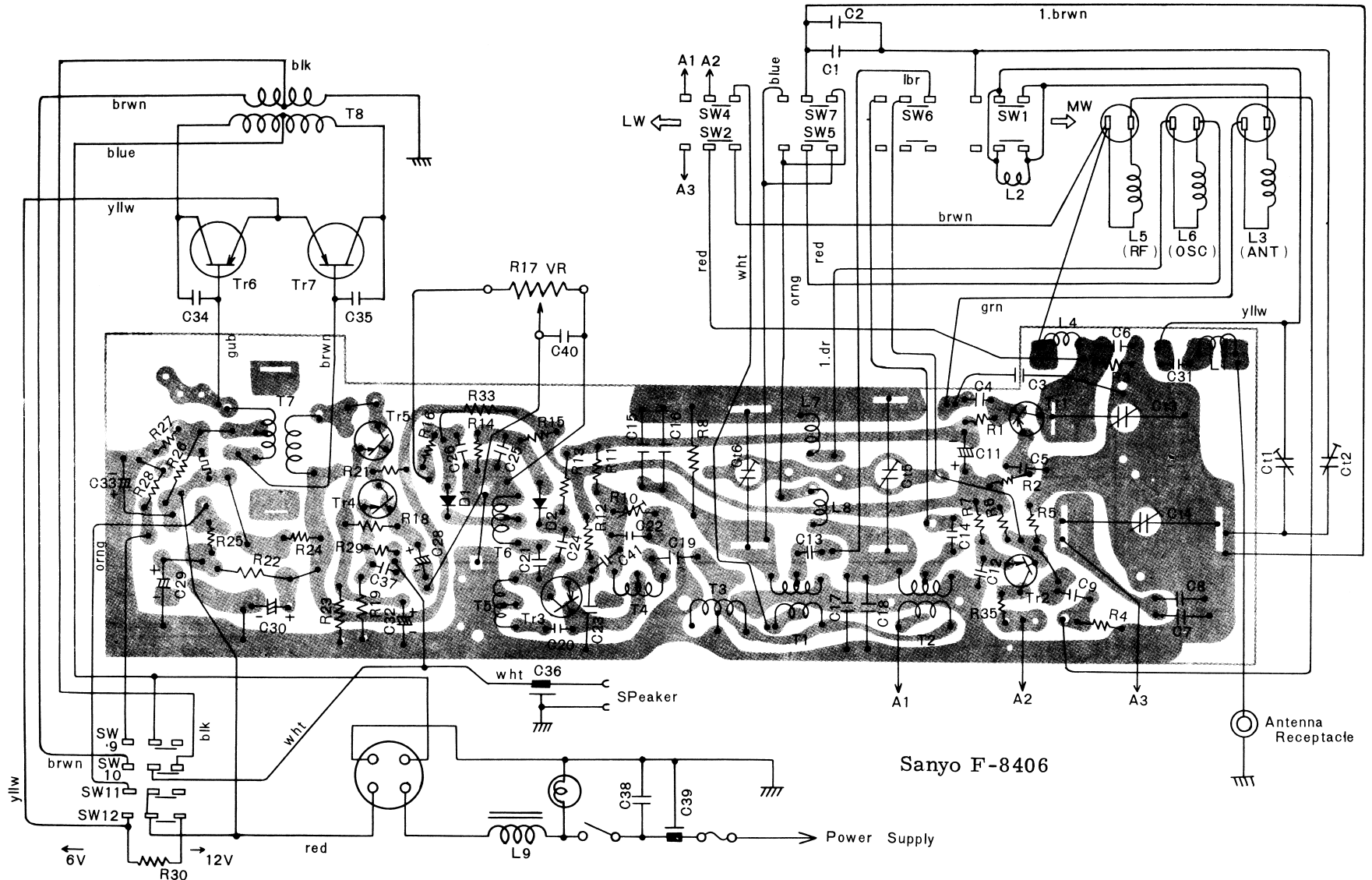
SPECIFICATIONS

Circuit System	7 transistor plus 2 diodes super-heterodyne with an RF amplifier and manual tuning.
Frequency Range	MW 530~1605 KC LW 150~380 KC
Intermediate Frequency	470 KC
Sensitivity (for 500mW output)	MW 10 μ V LW 40 μ V
Output Power	Undistorted 1.5W (6V) 2.5W (12V) Maximum 3.0W (6V) 4.5W (12V)
Power Supply	12V/6V (Reversible ground polarity)
Current Drain	No signal 130mA (6V), 150mA (12V) Maximum 900mA (6V), 600mA (12V)

Transistors	2SA322 RF Amplifier 2SA322 Converter 2SA322 IF Amplifier 2SC537 x 2 Audio Amplifiers 2SB474 x 2 Power Amplifier
Diodes	1S188 Detector 1S188 AGC
Speaker Unit	5" x 7" permanent dynamic type 4 ohm voice coil impedance
Shaft Spacing	130mm (Distance between both control shafts)
Dimensions	Radio Unit Width 160mm (6 $\frac{1}{2}$ " Height 50mm (2" Depth 160mm (6 $\frac{1}{2}$ "
Weight	Radio Unit 1.2 kg (2 $\frac{1}{2}$ lbs.) Speaker Unit 1.5 kg (3 $\frac{1}{2}$ lbs.)



- NOTE:
1. ALL RESISTOR VALUES IN OHMS UNLESS OTHERWISE NOTED.
K = 1,000 ohms.
 2. ALL RESISTORS ARE OF $\frac{1}{2}$ WATT EXCEPT R30. R30 = $\frac{1}{4}$ WATT.
 3. ALL CAPACITOR VALUES IN MFD UNLESS OTHERWISE NOTED.
P = M.CRO-MICRO FARAD.



Sanyo F-8406