

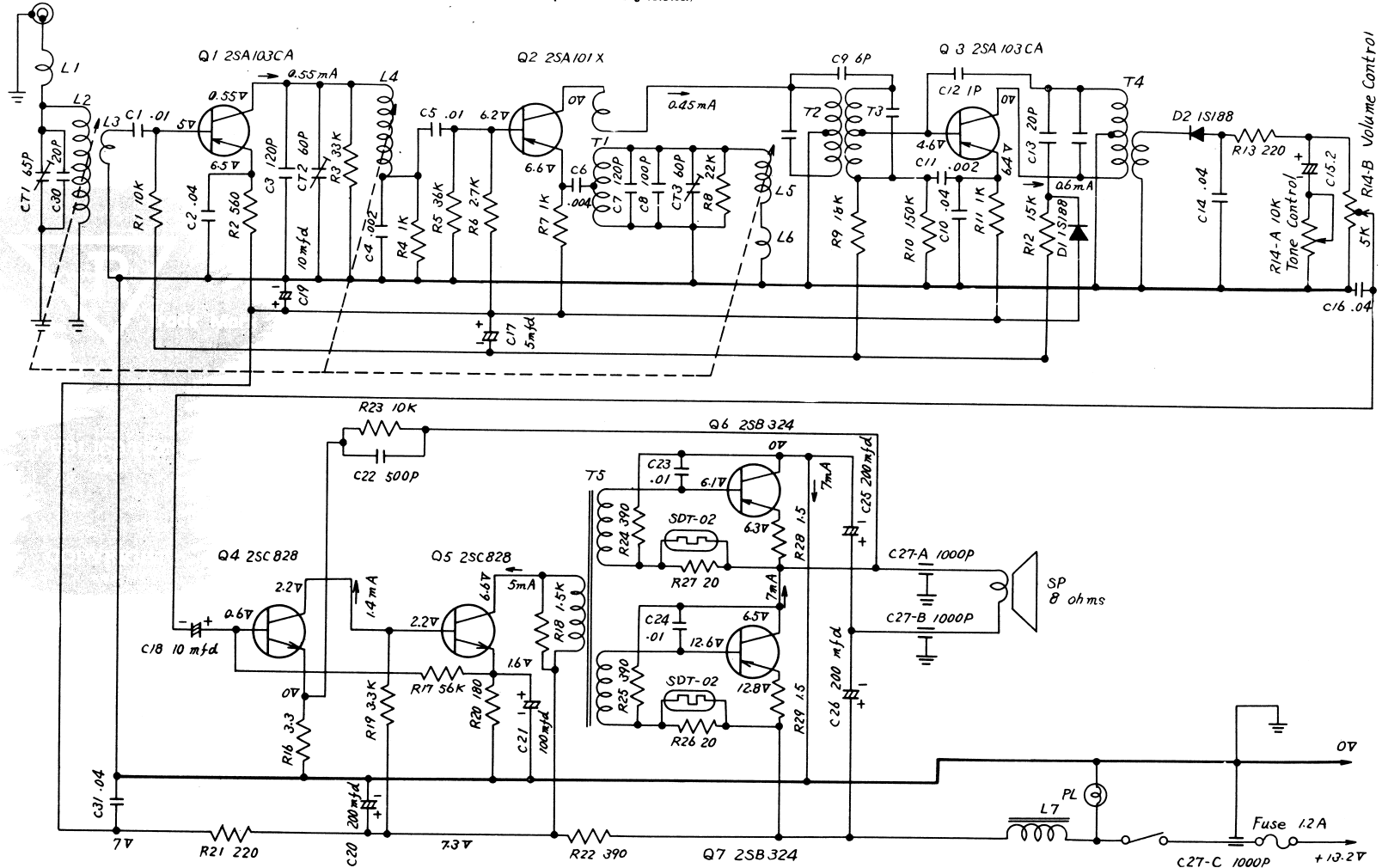
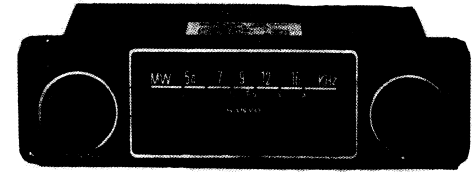
# SPECIFICATIONS

Circuit System.....7transistor plus 2 diodes super-heterodyne with an RF amplifier  
 Frequency Range.....540-1605 KHz  
 Intermediate Frequency.....455 KHz  
 Sensitivity (for 500mw output).....10 $\mu$ V  
 Signal to Noise Ratio.....28dB (at 56 $\mu$ V signal input)  
 Selectivity.....20dB (at 10KHz off-tuning from 1000KHz)  
 Output Power.....Undistorted 1.8W  
 Maximum 3.0W  
 Power Supply.....12V (Negative ground polarity)  
 Current Drain.....No signal 180mA  
 Maximum 500mA

Transistors.....2SA103 RF Amplifier  
 2SA101 Converter  
 2SA103 IF Amplifier  
 2SC828  $\times$  2 Audio Amplifiers  
 2SB324  $\times$  2 Power Amplifier  
 Diodes.....1S188 Detector  
 1S188 AGC  
 Speaker Unit.....5" permanent dynamic type  
 8 ohm voice coil impedance  
 Shaft Space.....130mm (Distance between both control shafts)  
 Dimensions.....Radio Unit Width 154mm (6")  
 Height 44mm (1 3/4")  
 Depth 90mm (3 1/2")  
 Weight.....Radio Unit 1kg (2.2lbs.)  
 Speaker Unit 1kg (2.2lbs.)

# Sanyo F-8223A

# S114



- NOTE: 1. All resistance values shown in ohms. K=1000 ohms.  
 2. All capacitance values shown in micro-farad unless otherwise noted. p=pico-farad=micro-micro-farad.  
 3. Voltages measured with a vacuum tube voltmeter from a common ground (negative line) to respective points.

