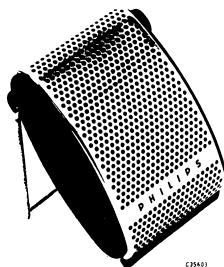


ELA AMPLIFIERS

EL 3782



C3540



EL 3782

Versions

- EL 3782/00 low-ohmic electrodynamic directional microphone for EL 3549.
 EL 3782/01 as -/00, however, neutral and with switch-craft plug.
 EL 3782/03 as -/00, however, second brand version neutral.

General

The microphone is suitable for speech and music and can be used in humid surroundings. The microphone is also suitable for use in the tropics (up to 70°C). With the switch found on the rear side of the microphone the microphone can be made suitable for speech and music. Position "+" is music, position "-" is speech.

Figures

- Fig. 1 Assembly,
 Fig. 2 Circuit diagram,
 Fig. 3 Frequency characteristic.

Sensitivity

At 1000 c/s the sensitivity amounts to 0.22 mV/μBar and 0.15 mV/μBar for position "+" and "-" respectively.

Impedance

At 1000 c/s the impedance amounts to 500 and 583 for the positions "+" and "-" respectively.

Replacement of button

- Undo 2 screws.
 . Remove cover (pos. 24)

EL 3782/00

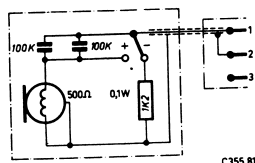


Fig. 2

C355 81

EL 3782

- . Pull bracket with button (pos. 6) outwards.
- . Unsolder the wires of the old button and solder new button home.
- . Remounting in the reverse order.

List of parts

Pos.	Code number	Nomenclature	EL 3782/00/01/03
1	V3 115 73	Housing (assembly)	x x x
4	V3 218 44	Disc (rubber)	x x x
6	EL 6084/10	Microphone button	x x x
7	V3 218 43	Ring (rubber)	x x x
8	V3 744 70	Hinge (assembly)	x x x
16	V3 579 57	Switch (assy)	x x x
18	C 280 AA/P100K	Capacitor	x x x
19	B 305 00A/1K2	Miniature carbon resistor 0,1 W, 1200 Ω, 10 %	x x x
20a	R 367 KA/03AA10	Flex	x x x
20b	V3 607 50 978/M3x1,5	Plug	- x - x - x

EL 3782/00

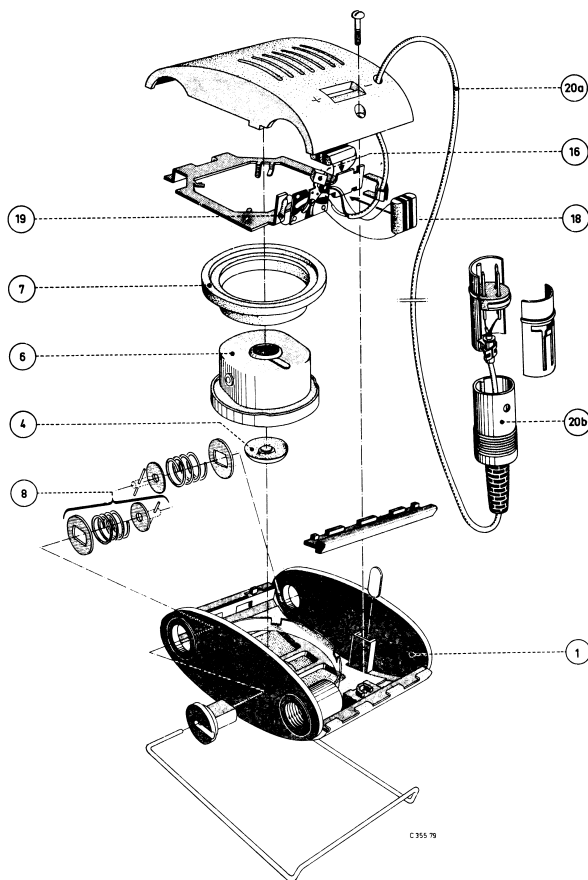


Fig.1

C355 79

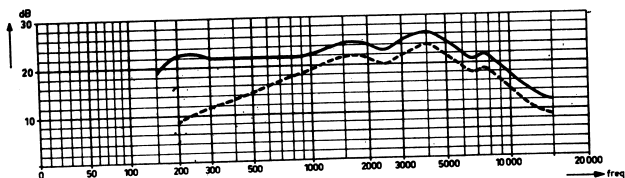


Fig. 3

C355 80