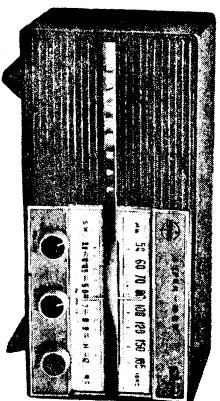
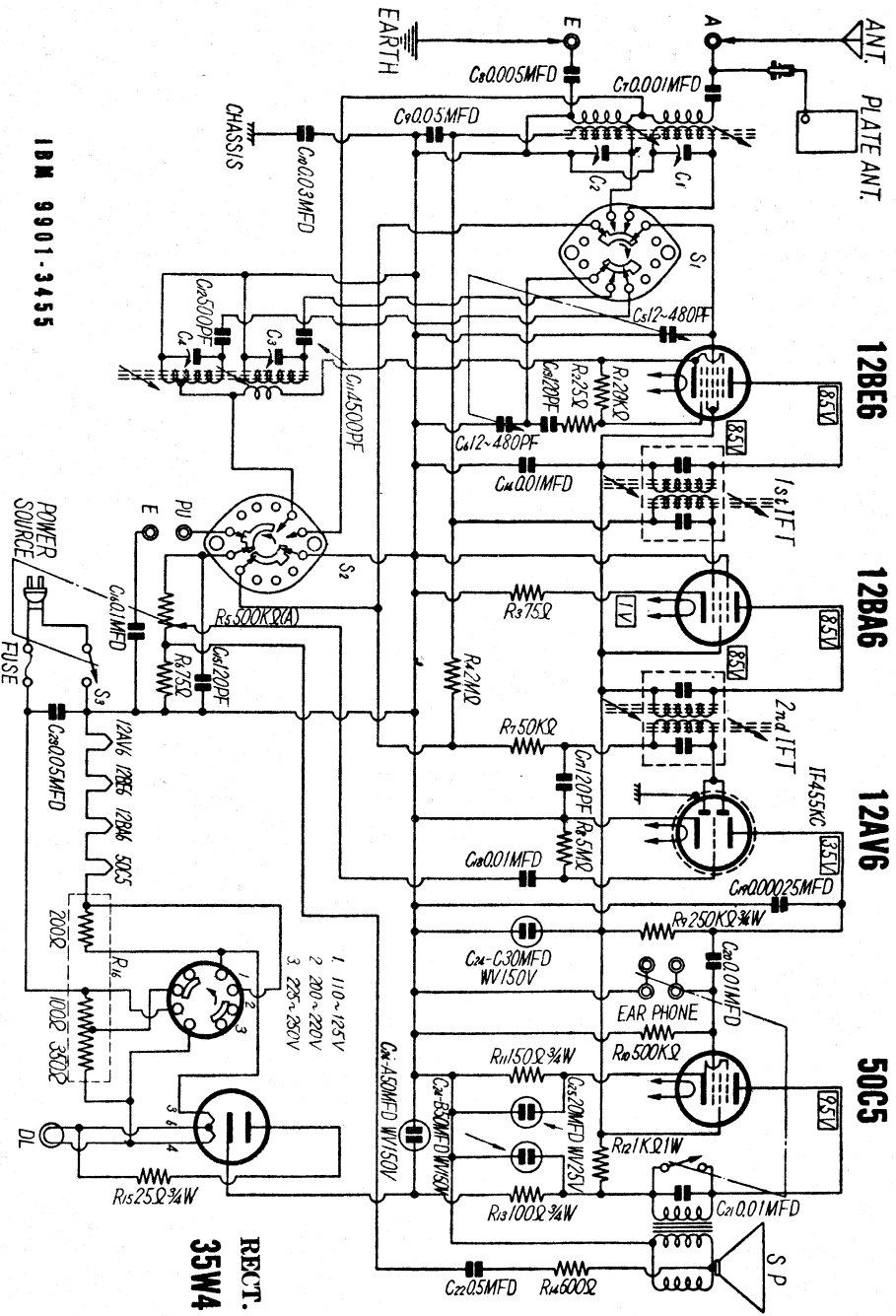


NATIONAL RADIO MODEL EE-345J



**SCHEMATIC DIAGRAM & TUBE CONNECTION**

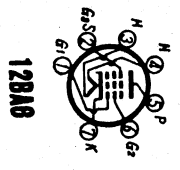
CONV. **12BE6**      IF **12BA6**      2nd DET. AVC & AF **12AV6**      OUTPUT **50C5**



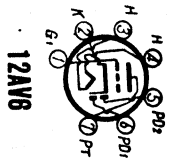
IBM 9901-3455



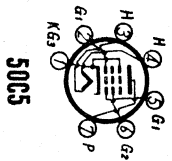
12BE6



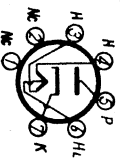
12BA6



12AV6



50C5



35W4

(BOTTOM VIEW)