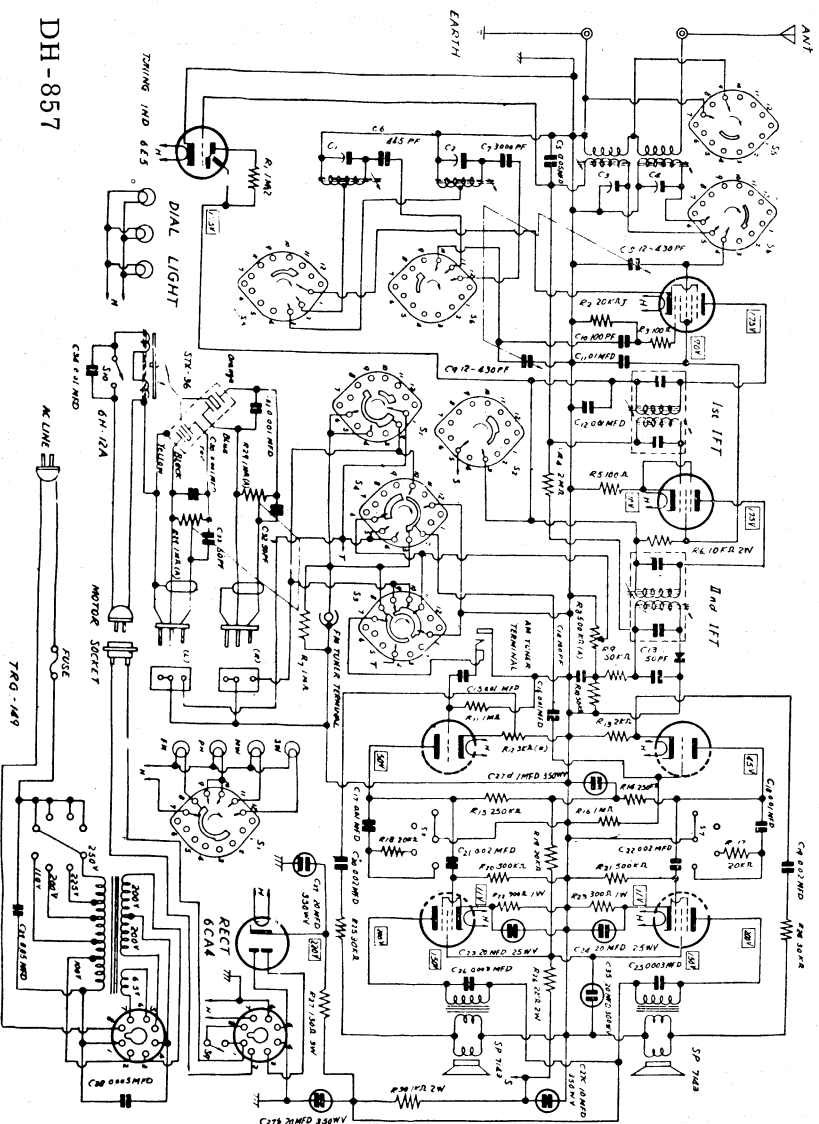


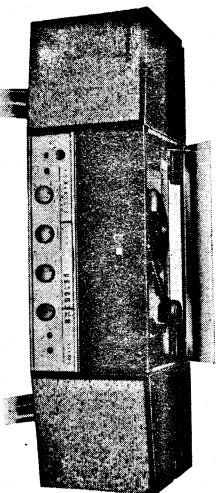
SCHEMATIC DIAGRAM

CONV. 6BE6
 IF 2nd DET & AVC AF 6BA6
 0A79 6BM8(T)X2 6BM8(P)X2
 OUTPUT



NATIONAL DH-857

1. Switch $S_1 \sim S_5$, is now at position. Switch is to be turned in the direction of arrow marks to PH, ST, PH, MON, MW and SW.
2. Switch $S_7 \sim S_{10}$ is combined.
3. $C_1 \sim C_4$ are trimmer condensers.



MODEL DH-857