

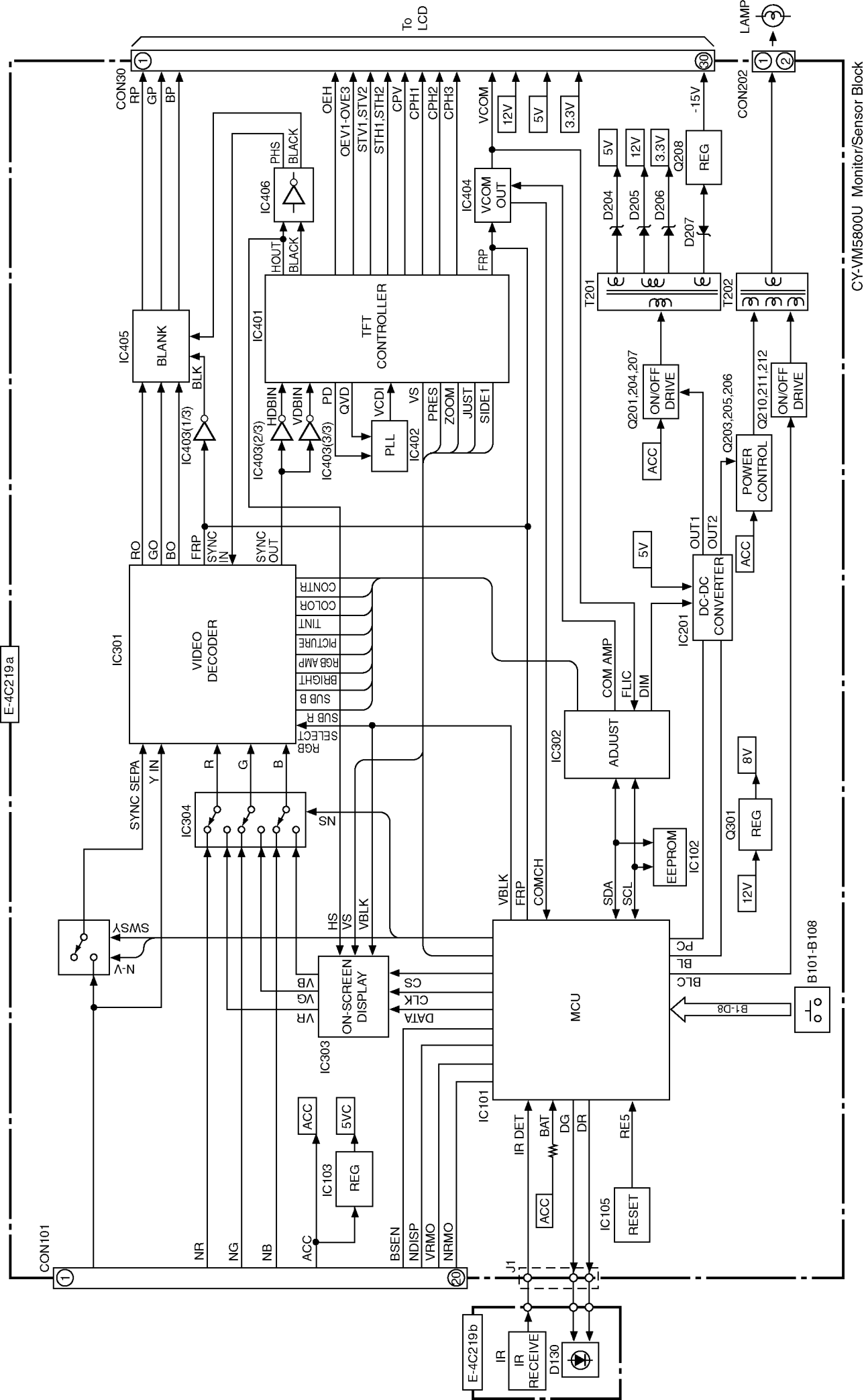
STAND BY (YONGI)

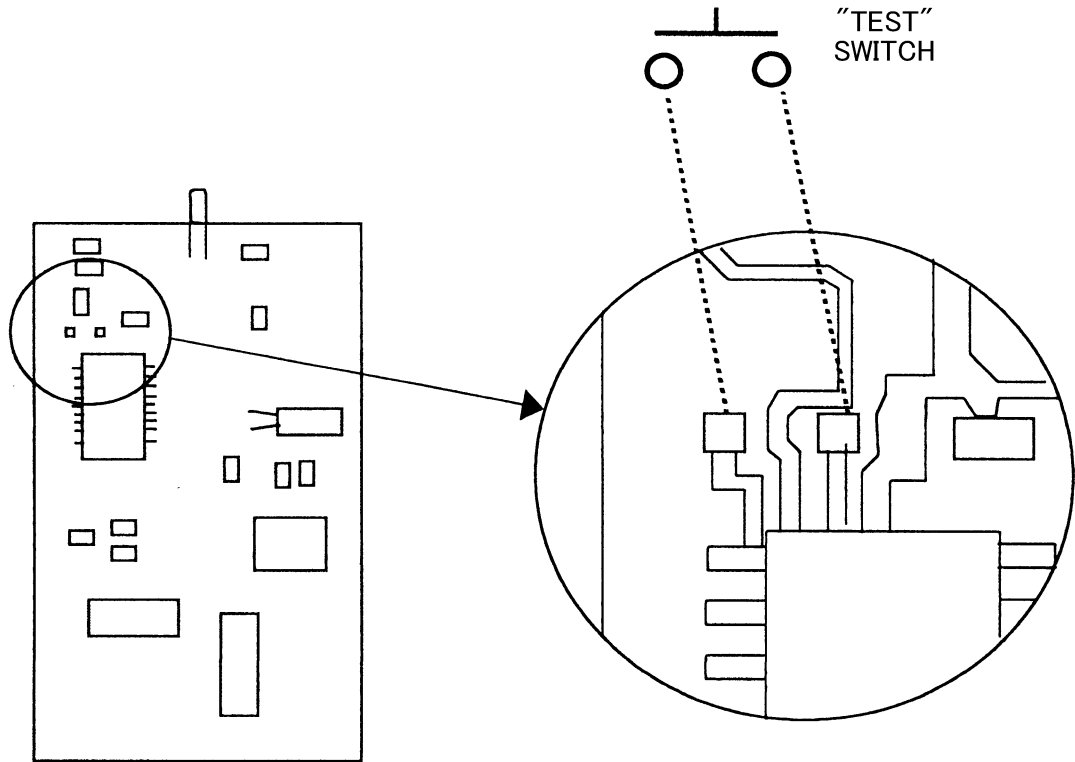
COLOR LCD MONITOR

Panasonic

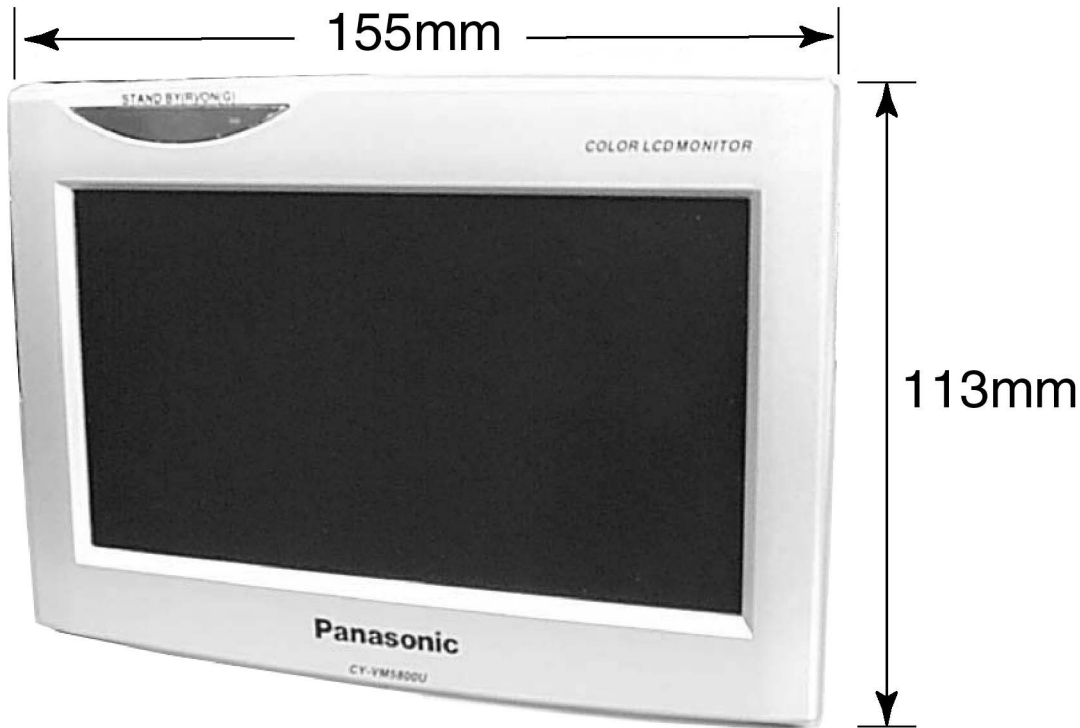
CY-VM5800U





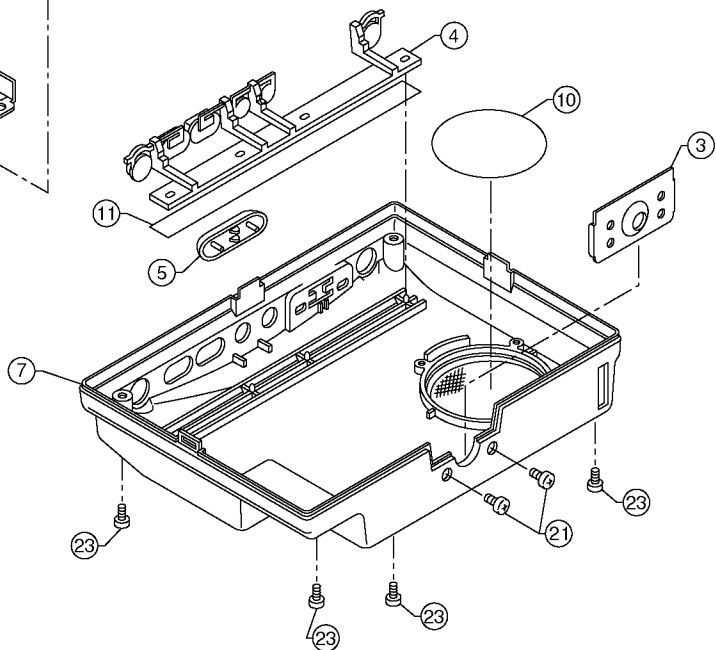
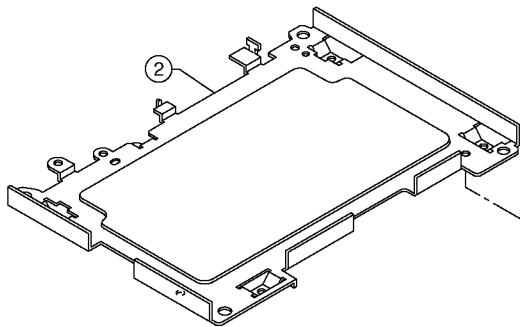
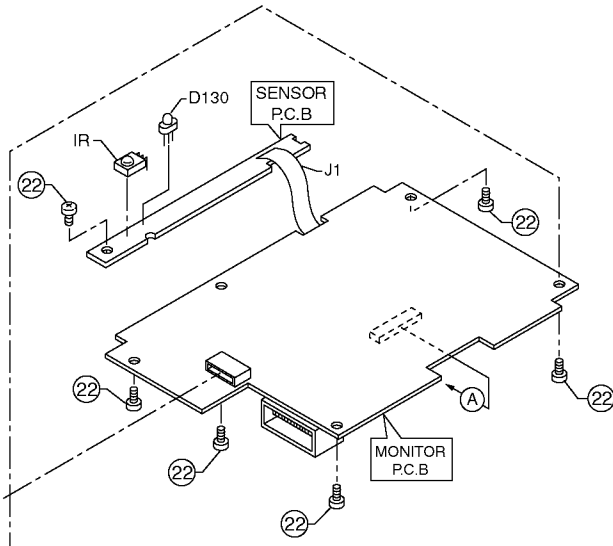
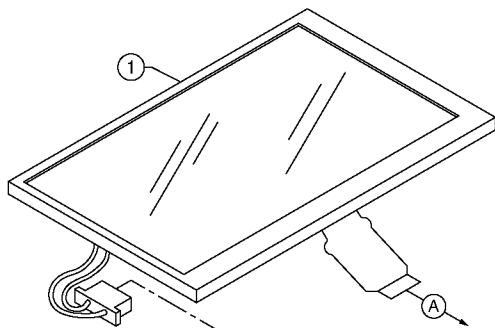
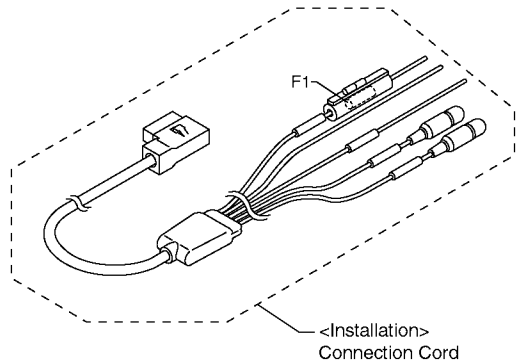
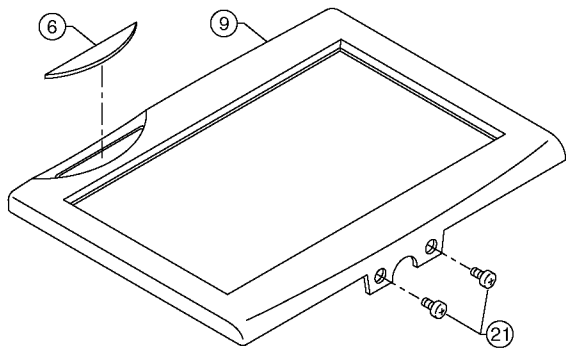


155mm



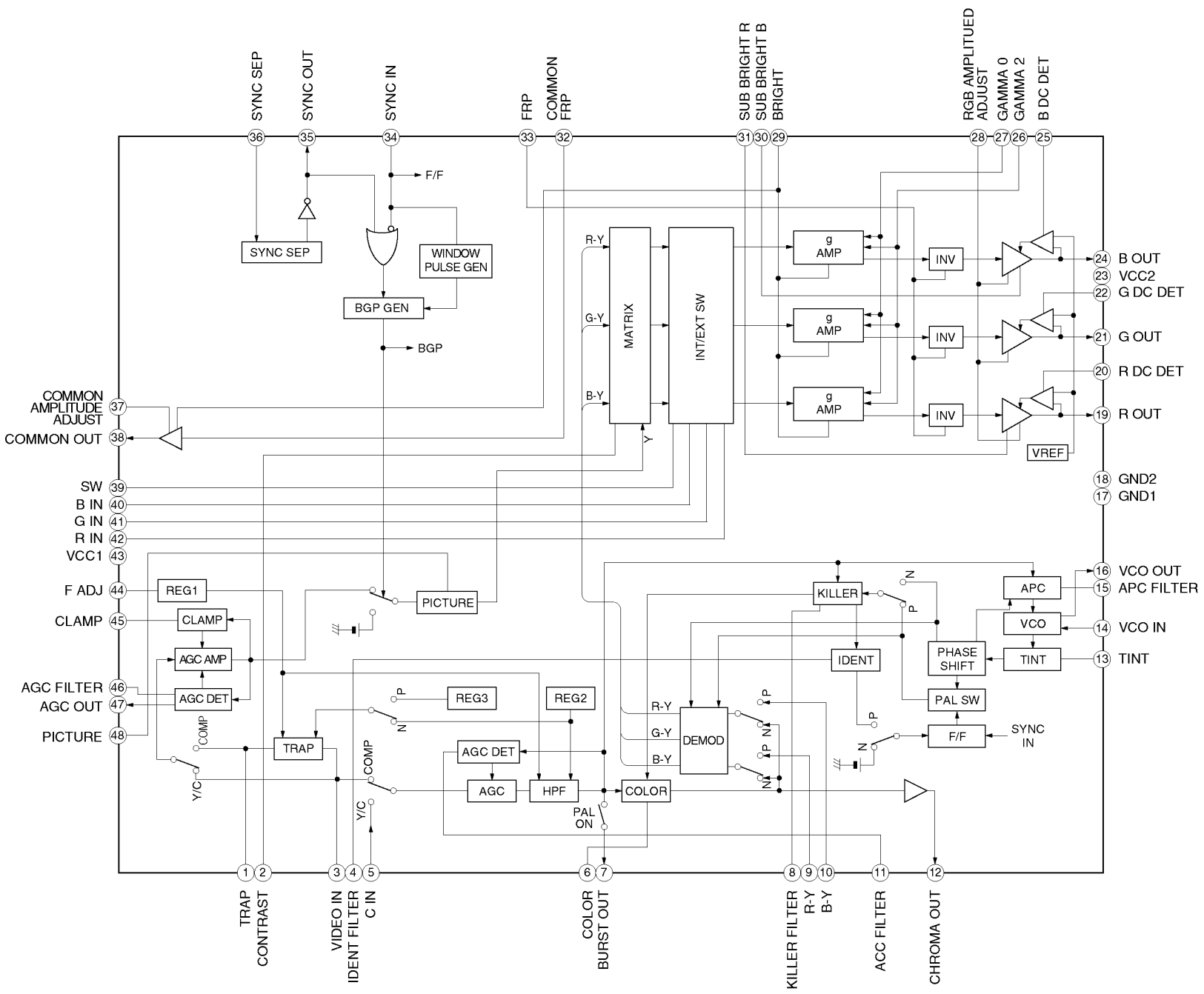
113mm

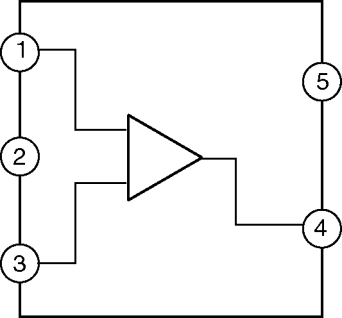
D: 33mm

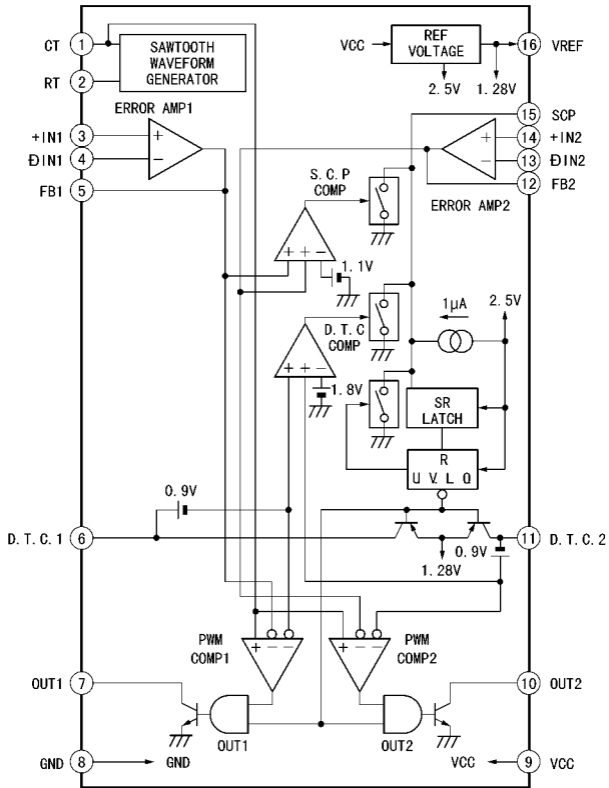


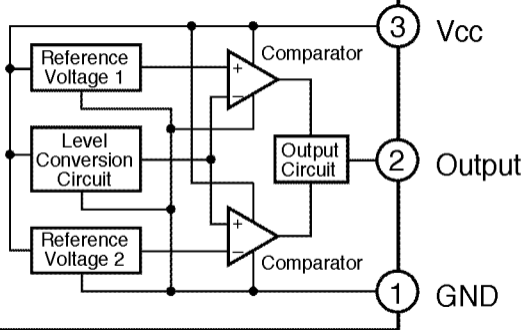
A

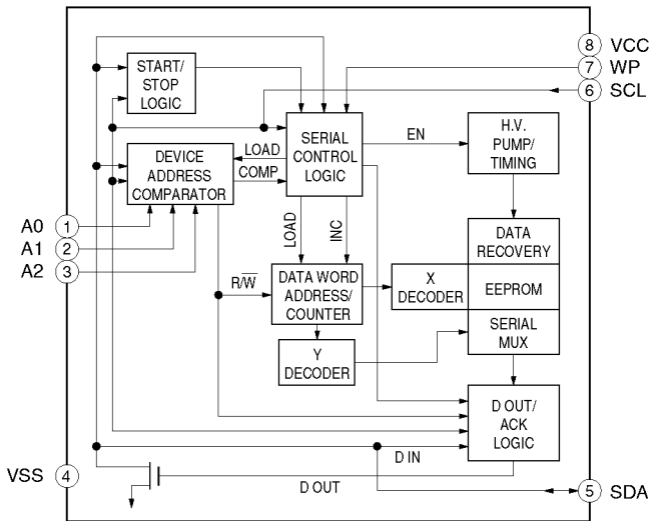
B

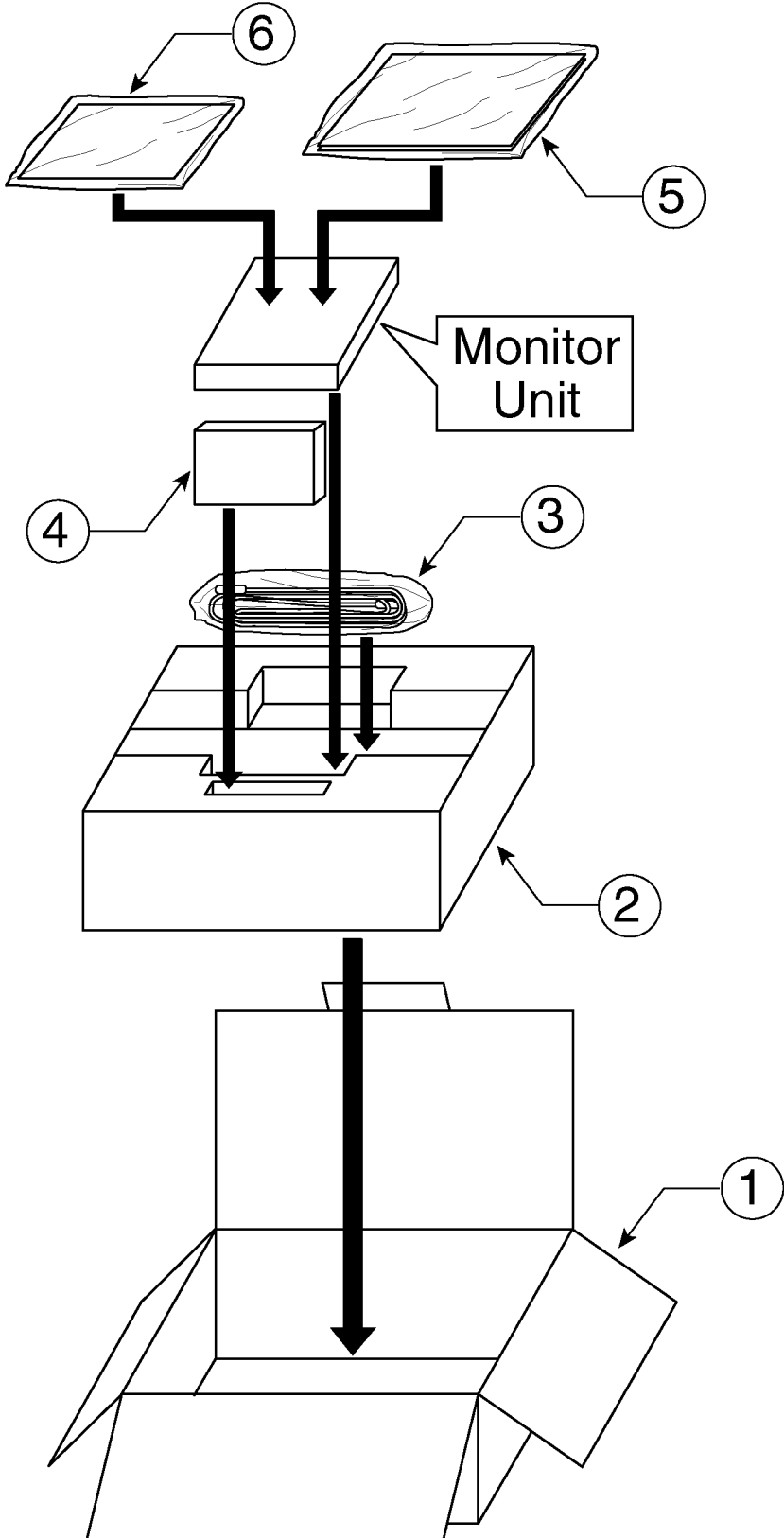






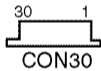






①

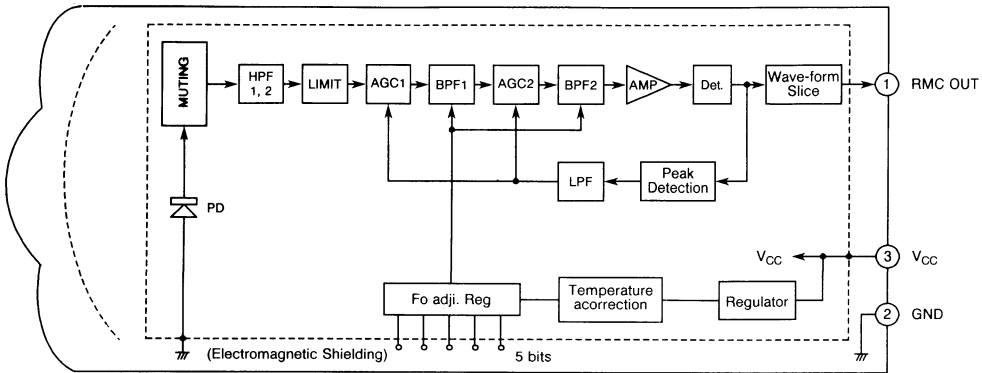
TP564 (HS)



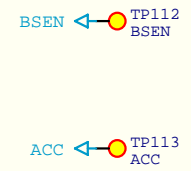
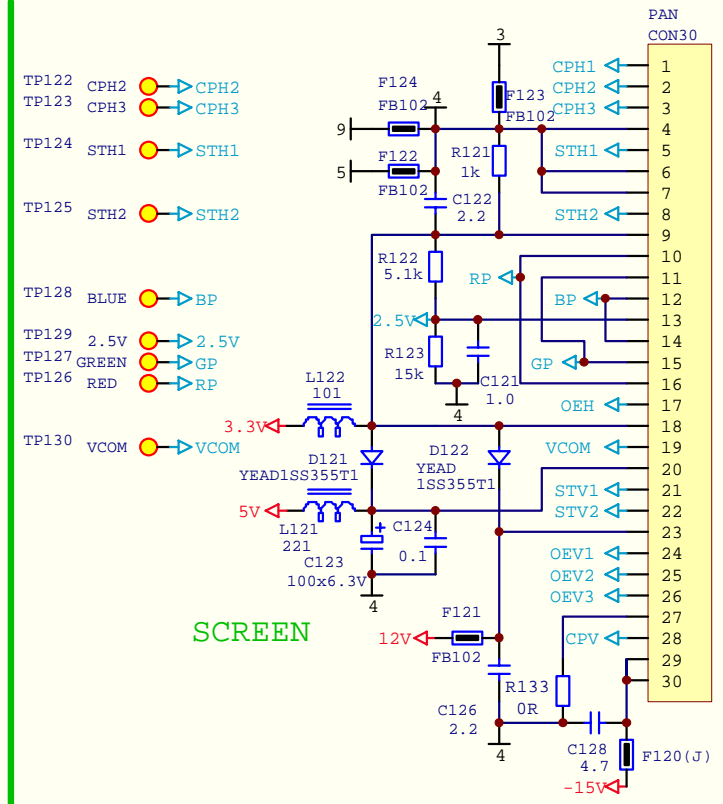
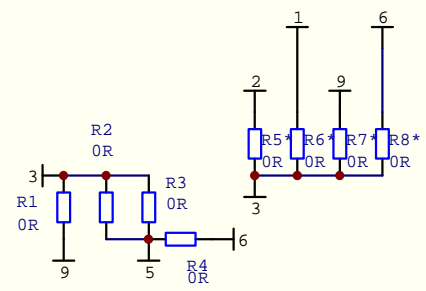
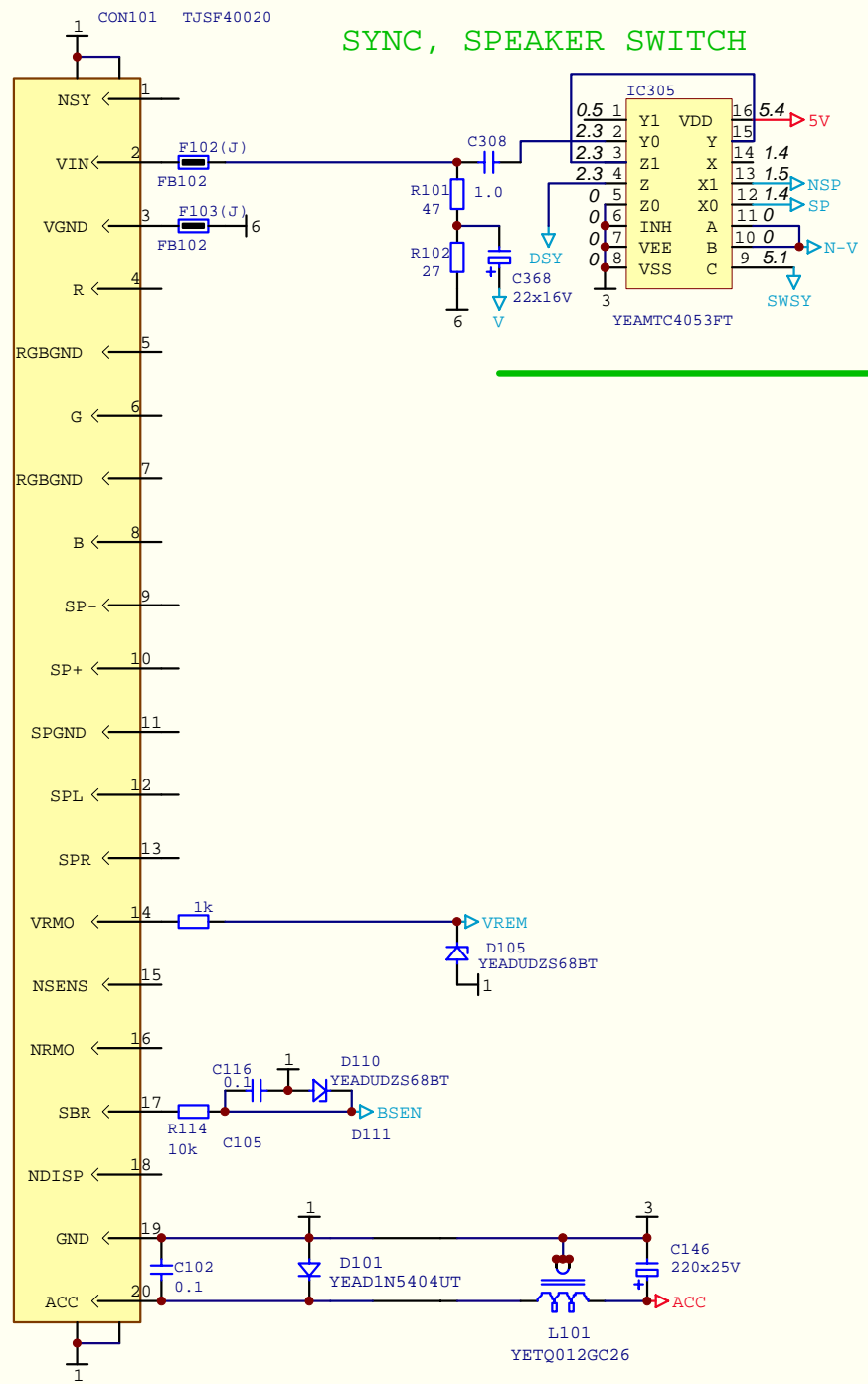
□ R437

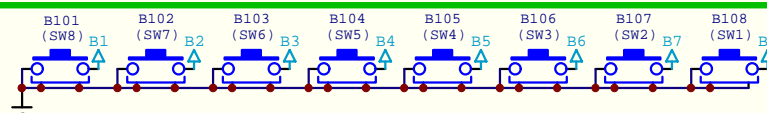
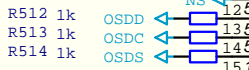
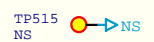
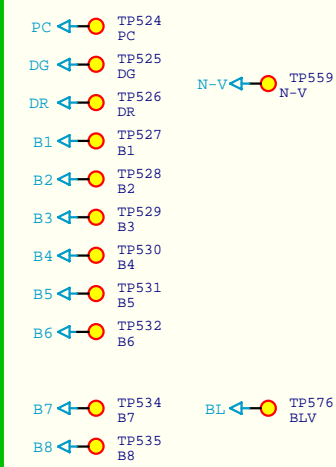
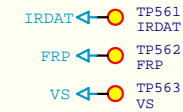
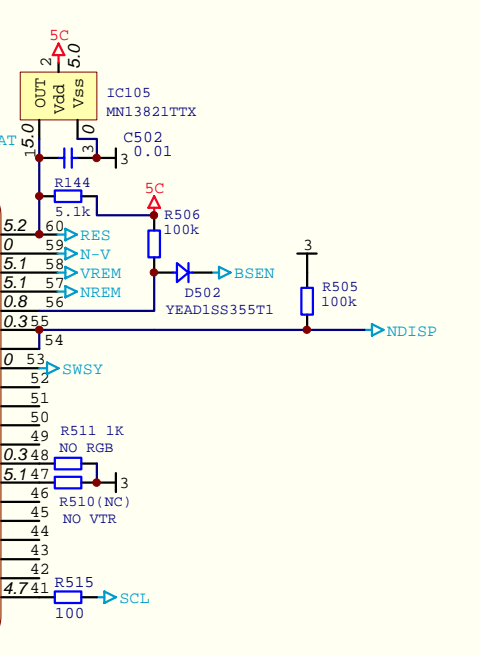
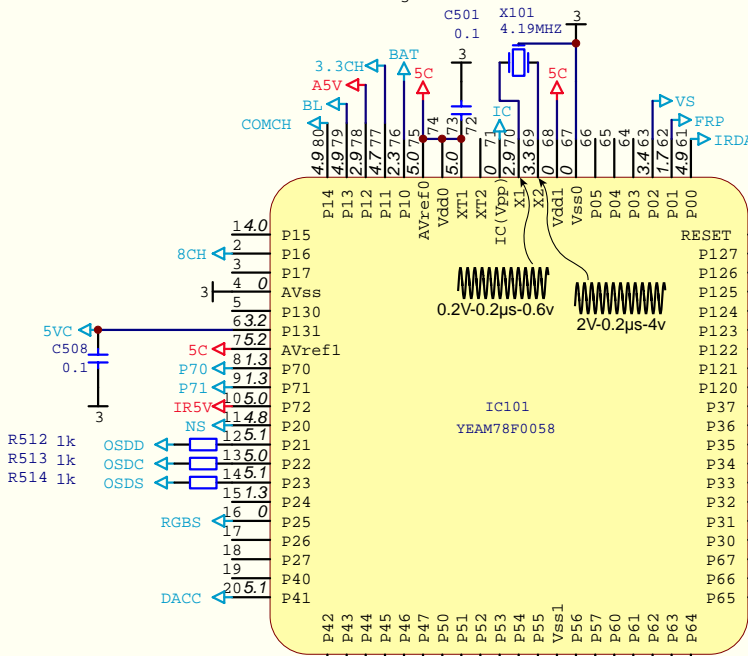
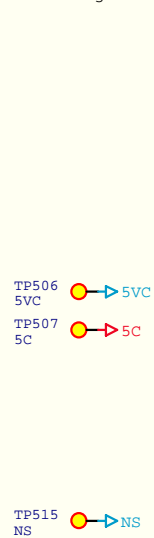
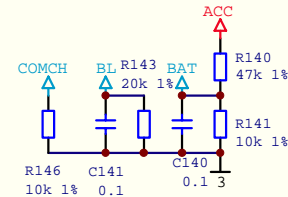
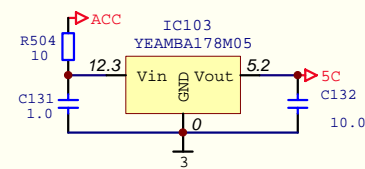
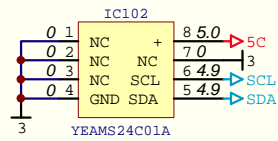
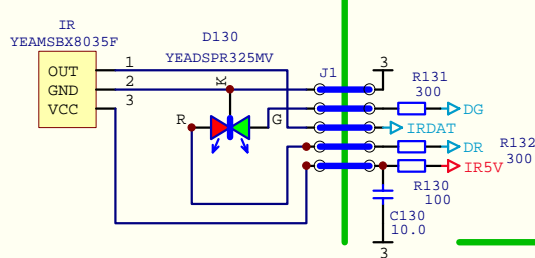
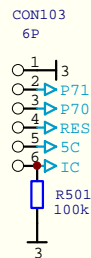
①

Monitor P.C.B
[E-4C219a]



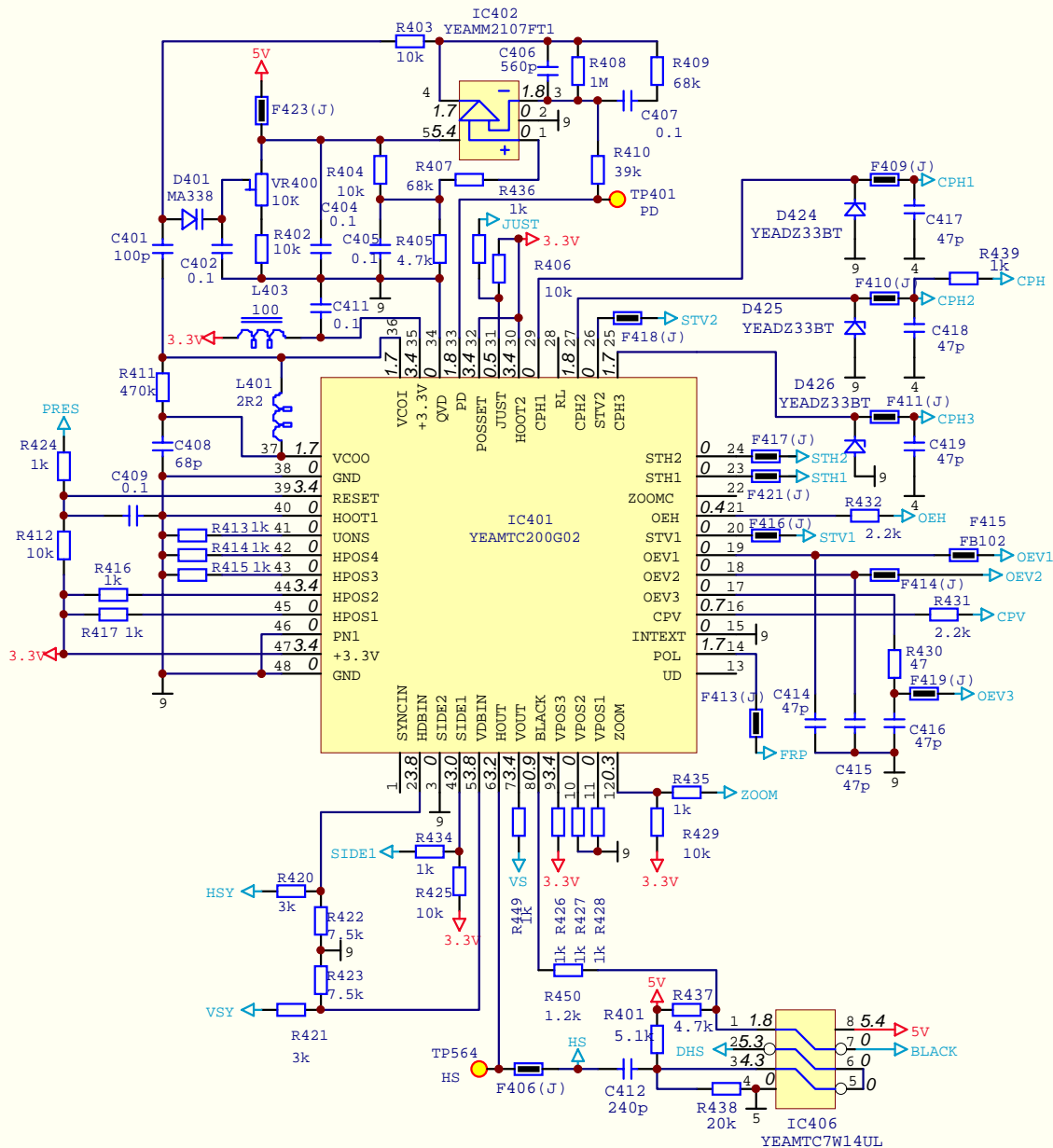
SYNC, SPEAKER SWITCH



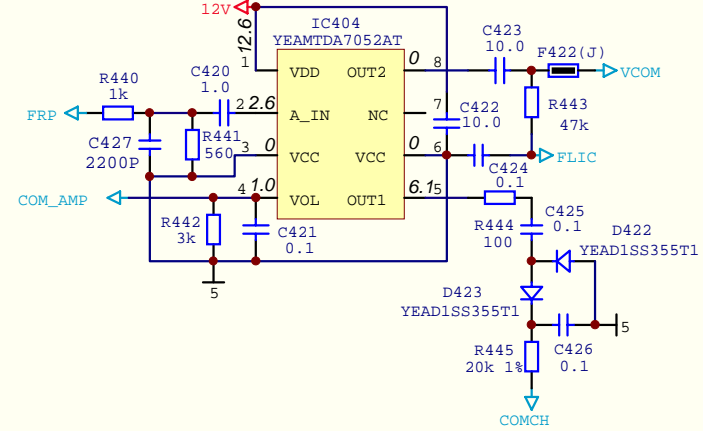


CONTROL

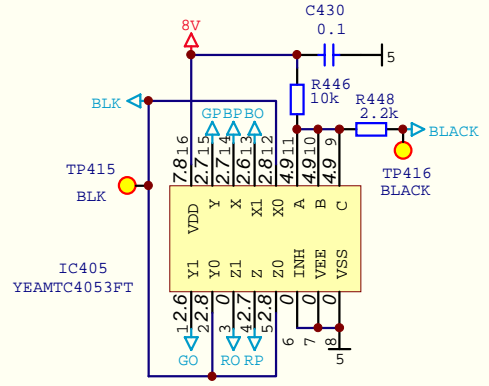
CY-VM5800U MONITOR(5/5)[MCU,EEPROM]/SENSOR

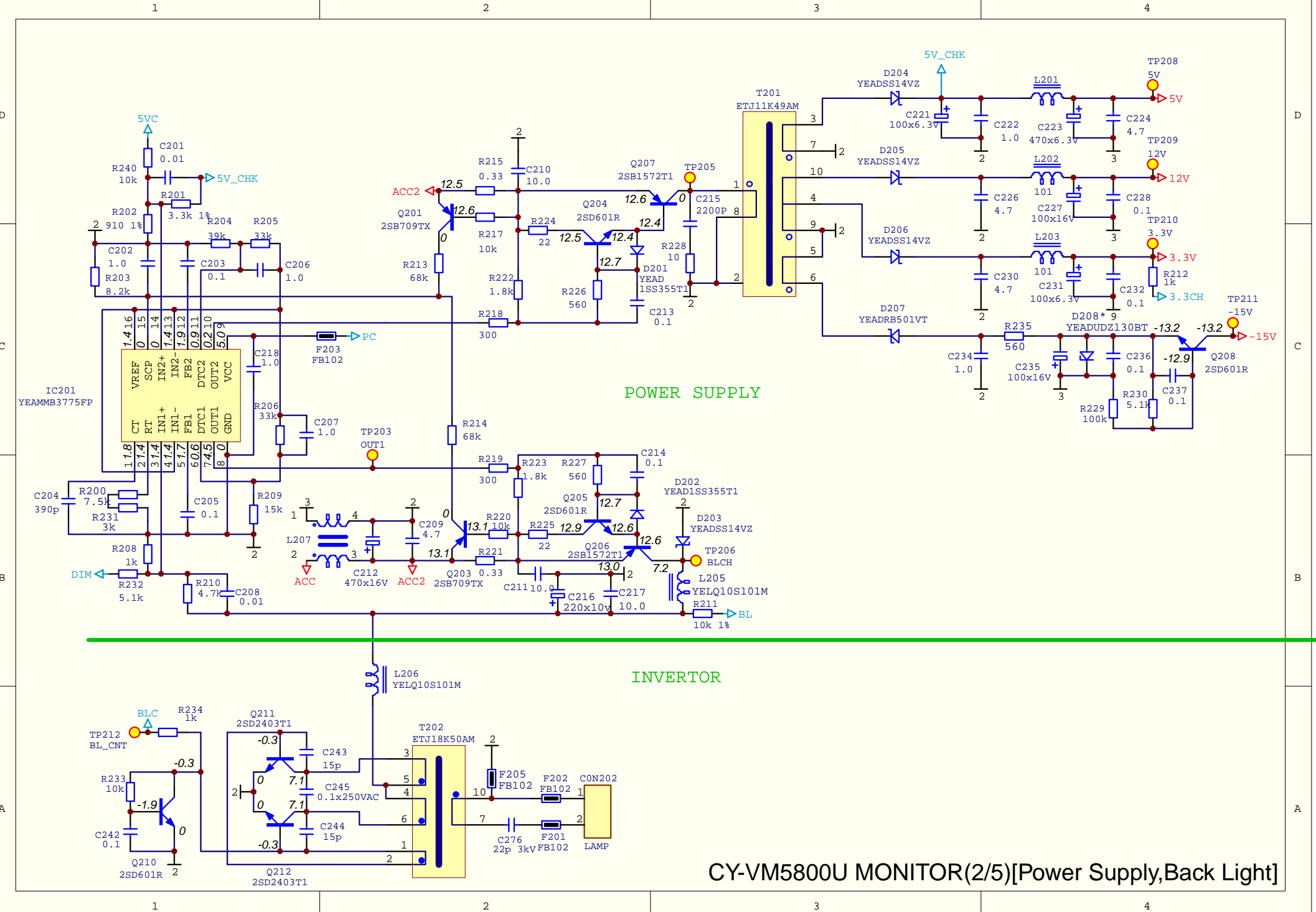


TFT controller



BLANK

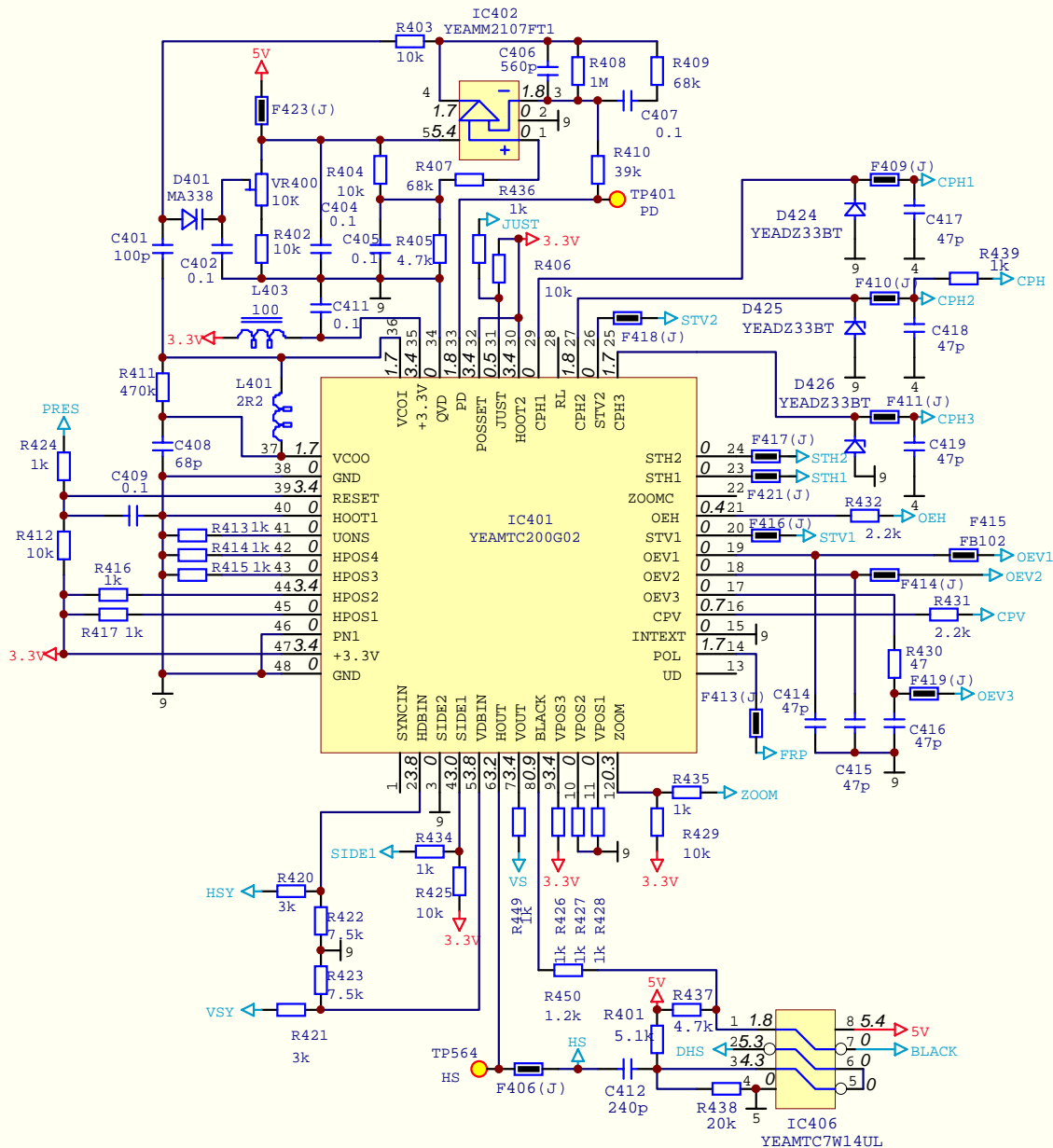




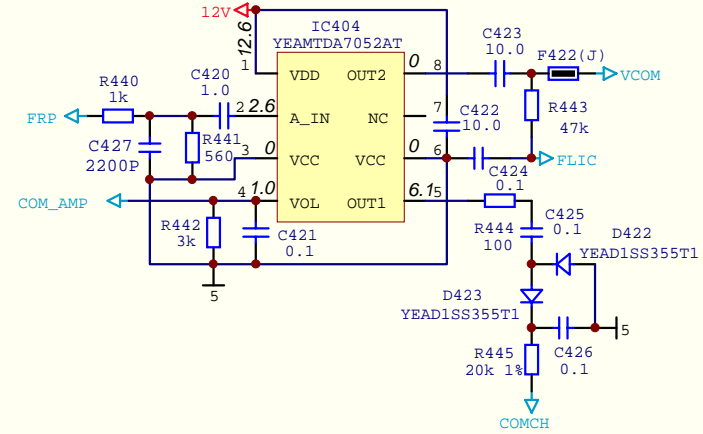
POWER SUPPLY

INVERTOR

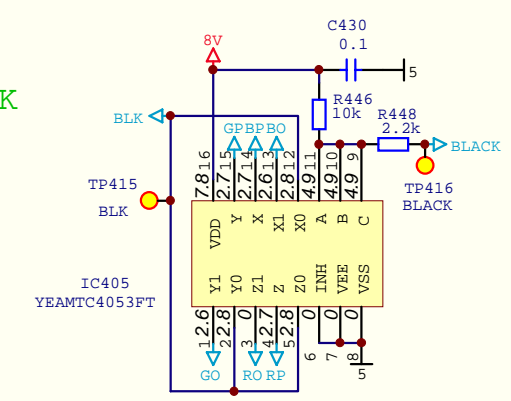
CY-VM5800U MONITOR(2/5)[Power Supply,Back Light]

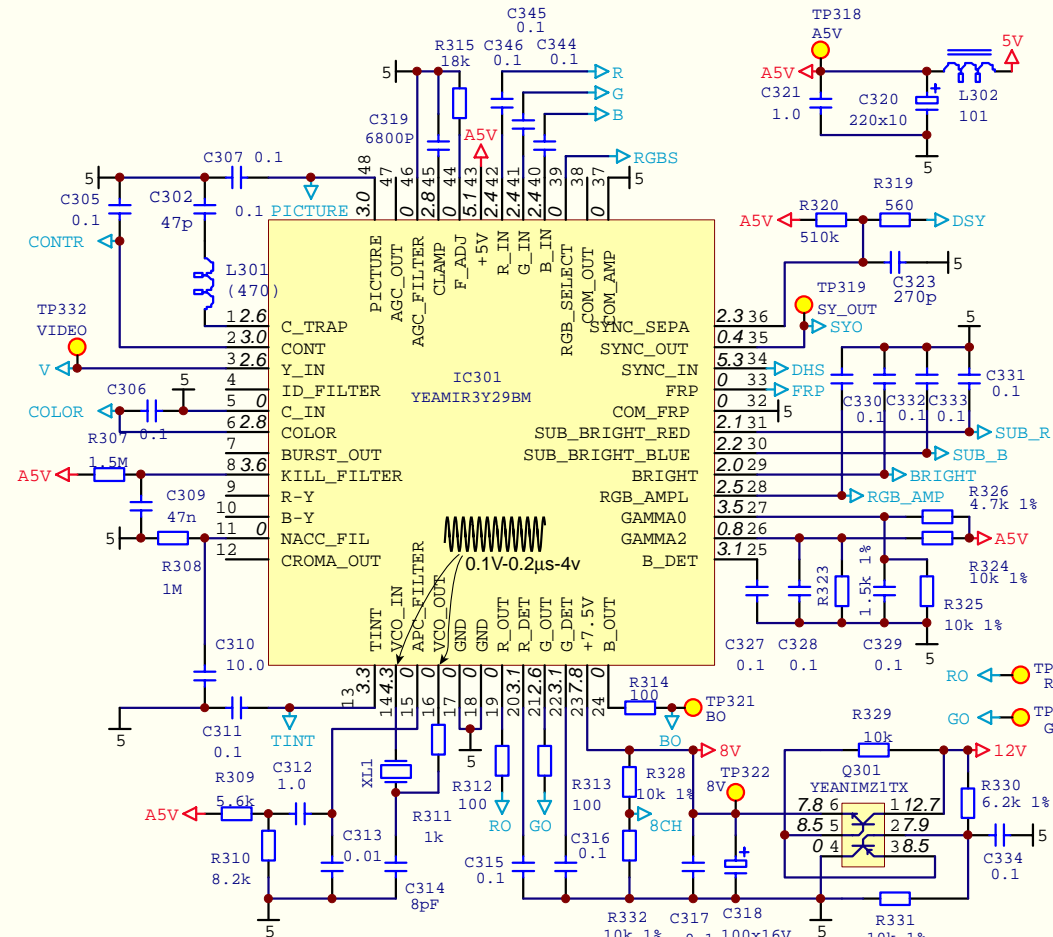
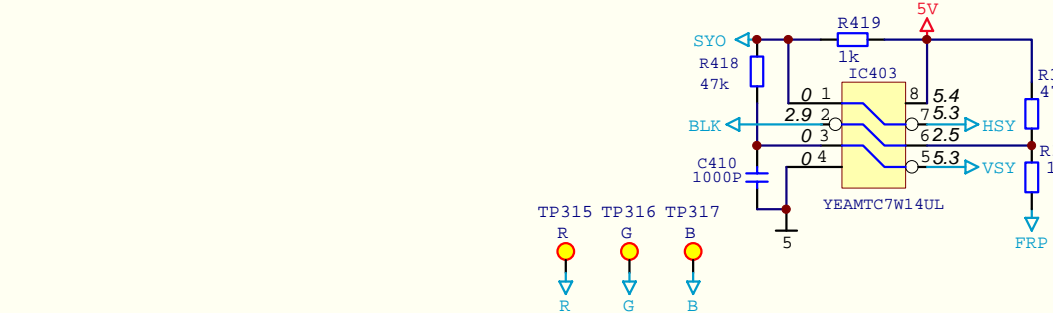


TFT controller

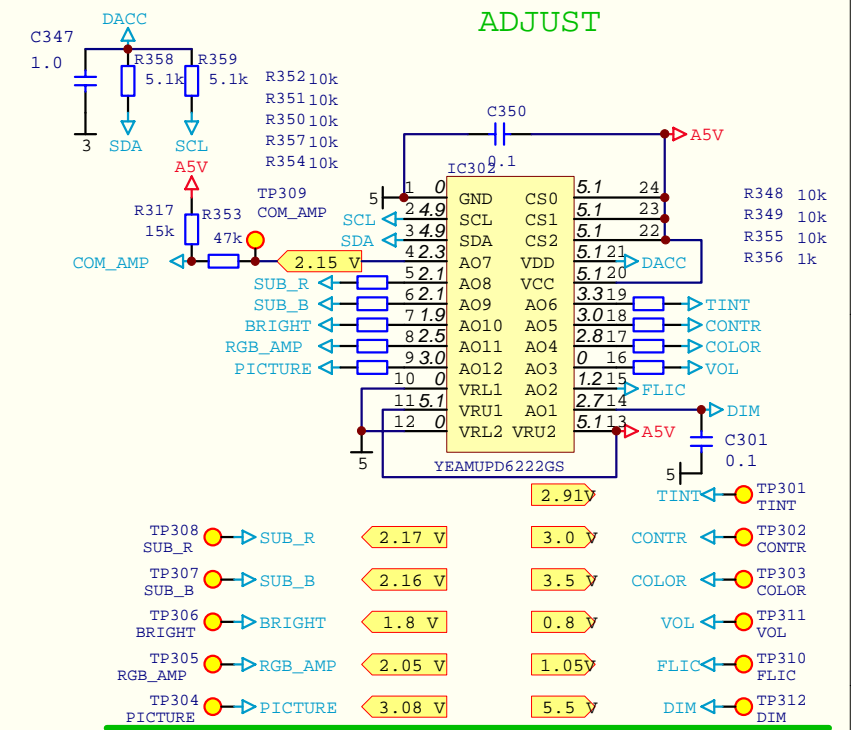


BLANK

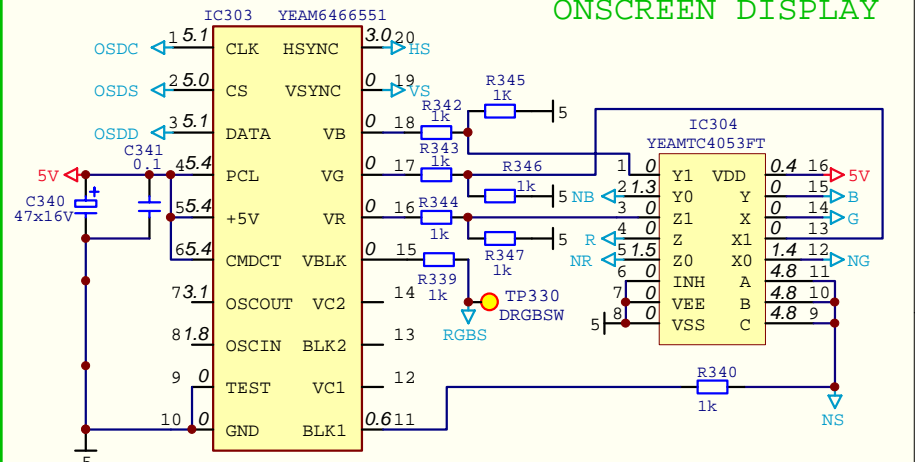




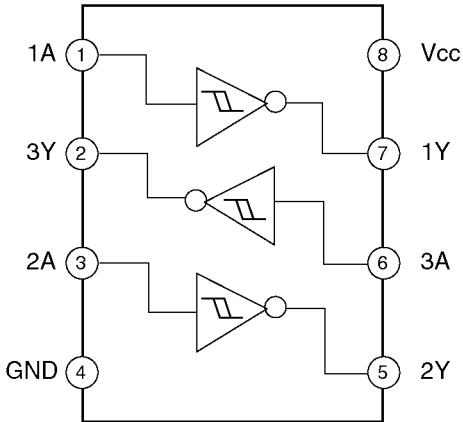
VIDEO DECODER

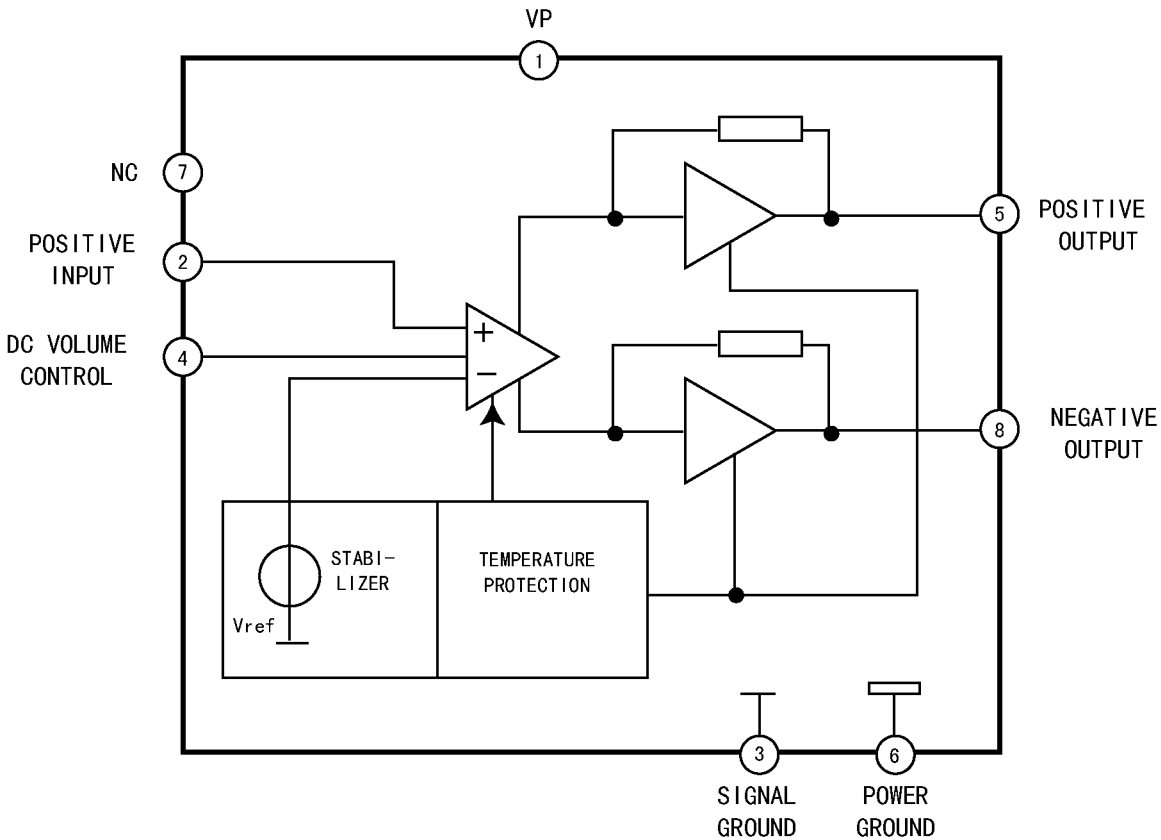


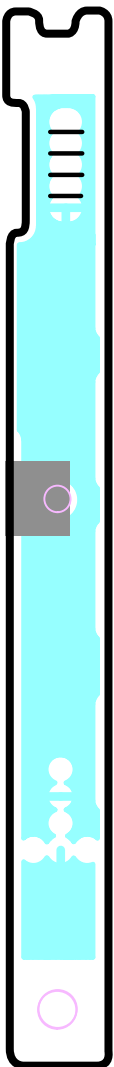
ONSCREEN DISPLAY



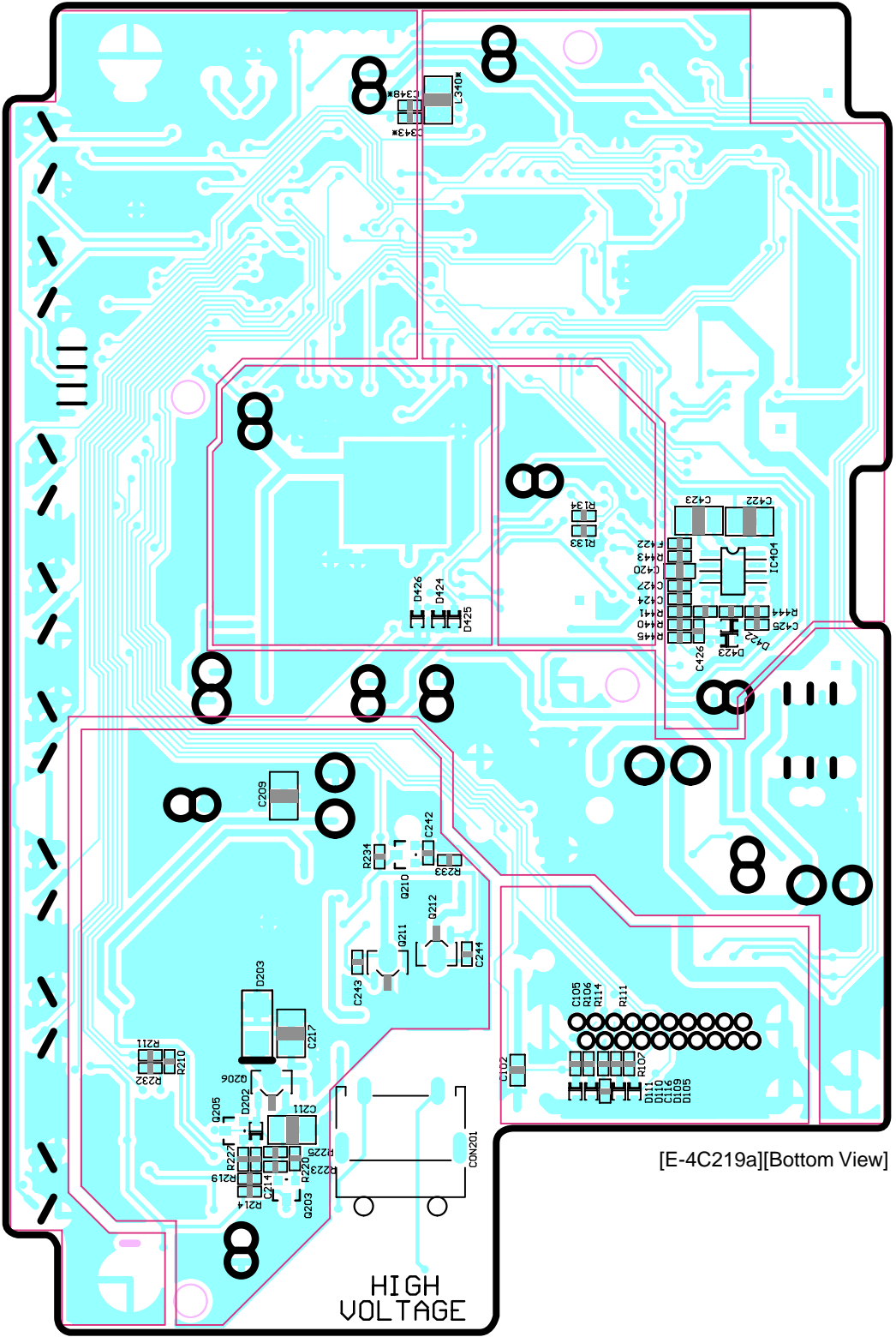
CY-VM5800U MONITOR(3/5)[Video Decoder,OSC]







[E-4C219b]
[Bottom View]



[E-4C219a][Bottom View]

CY-VM5800U

MONITOR/SENSOR P.C.B.[Bottom View]

Sensor P.C.B. [E-4C219b]

J1

Monitor P.C.B.
[E-4C219 a]
(Bottom View)

LCD

CON202
2P

CON101 20P

CON30 30P

Remote-Out

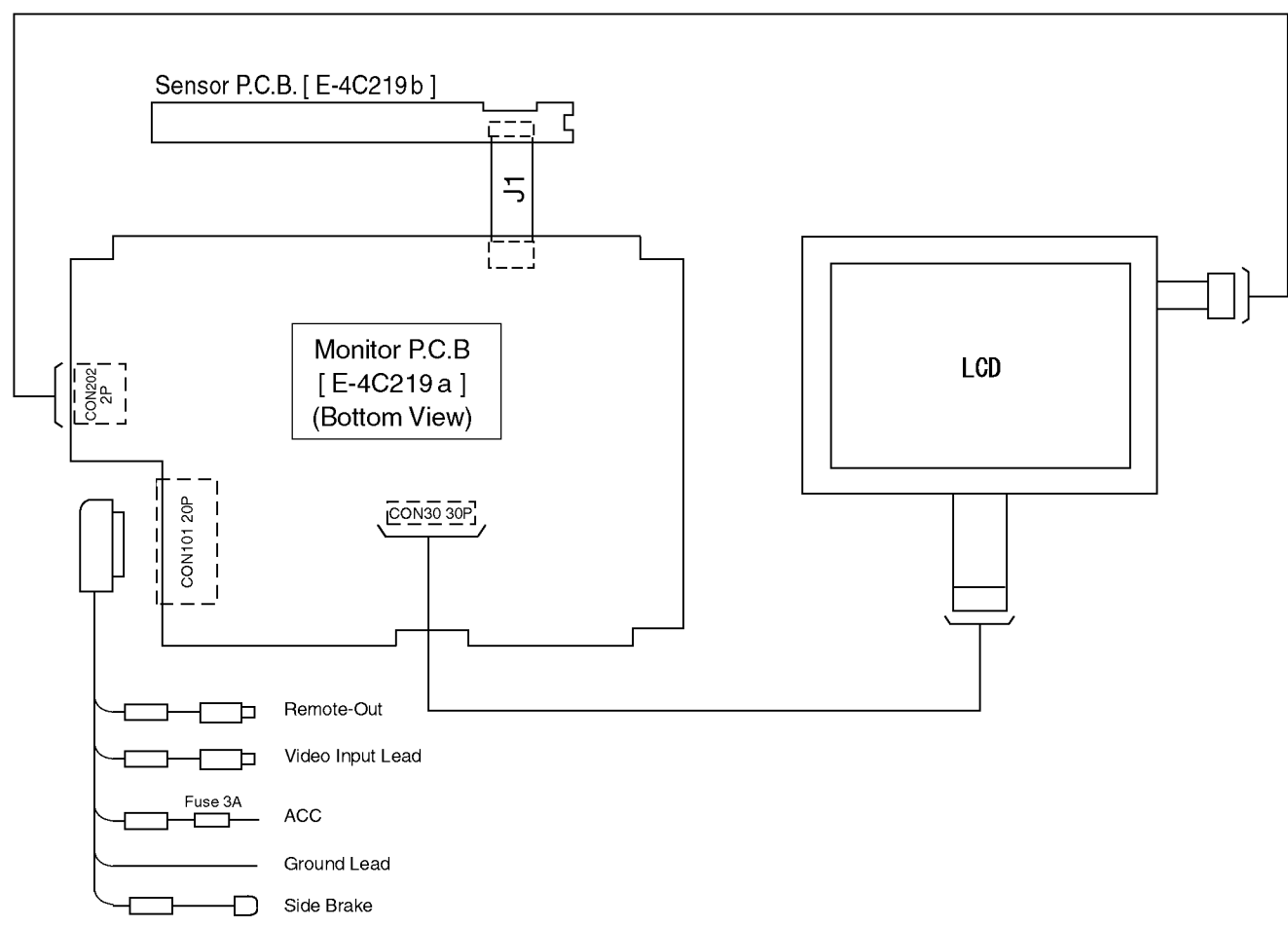
Video Input Lead

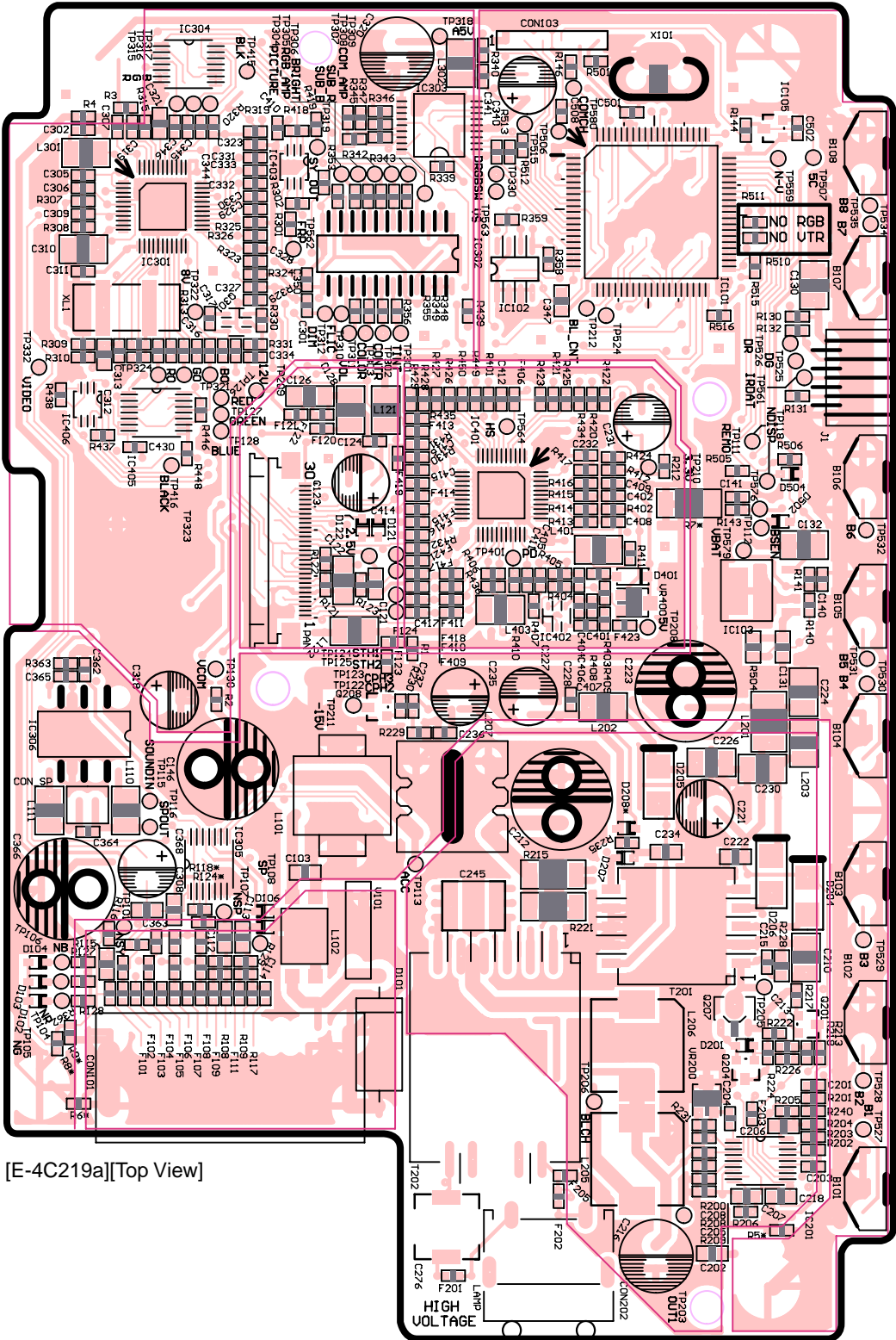
Fuse 3A

ACC

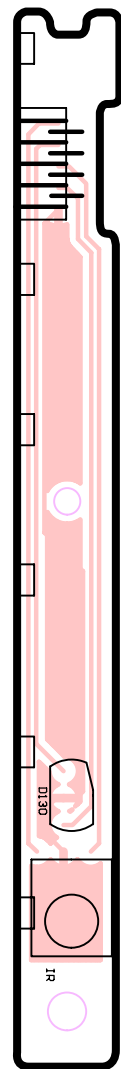
Ground Lead

Side Brake





[E-4C219a][Top View]



[E-4C219b][Top View]

CY-VM5800U
MONITOR/SENSOR P.C.B.[Top View]