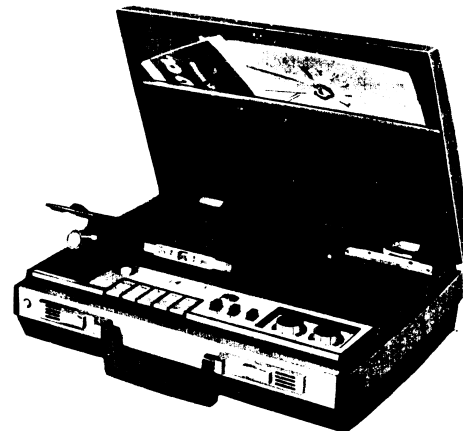


CROWN

JAPAN

SERVICE MANUAL

MODEL CTR-9650S



SPECIFICATIONS

Type 8 Transistor, Portable Tape Recorder (Automatic Tape, Repeating System)

a. Tape Recorder Section

Recording System .. AC bias, 2 track, monaural
 Erase System DC magnet
 Tape Speed 1-7/8 ips
 Record Time 1 hr (30 min per track with C-60 cassette)

Fast Wind &
 Rewind Time within 75 sec
 Rated Input Level .. -77dB (0dB=1V)
 Input Impedance MIC : 500 Ω
 AUX: 500k Ω

Output Impedance .. 8 Ω
 Output Power maximum: 700mW \pm 150mW
 useable : 400mW \pm 100mW

Under Voltage non-working voltage:
 DC 4.5V
 AC -10% of rated voltage

Current Drain! no signal recording:
 less than 165mA
 no signal playback :
 less than 155mA
 rewind : less than 290mA
 fast wind: less than 350mA

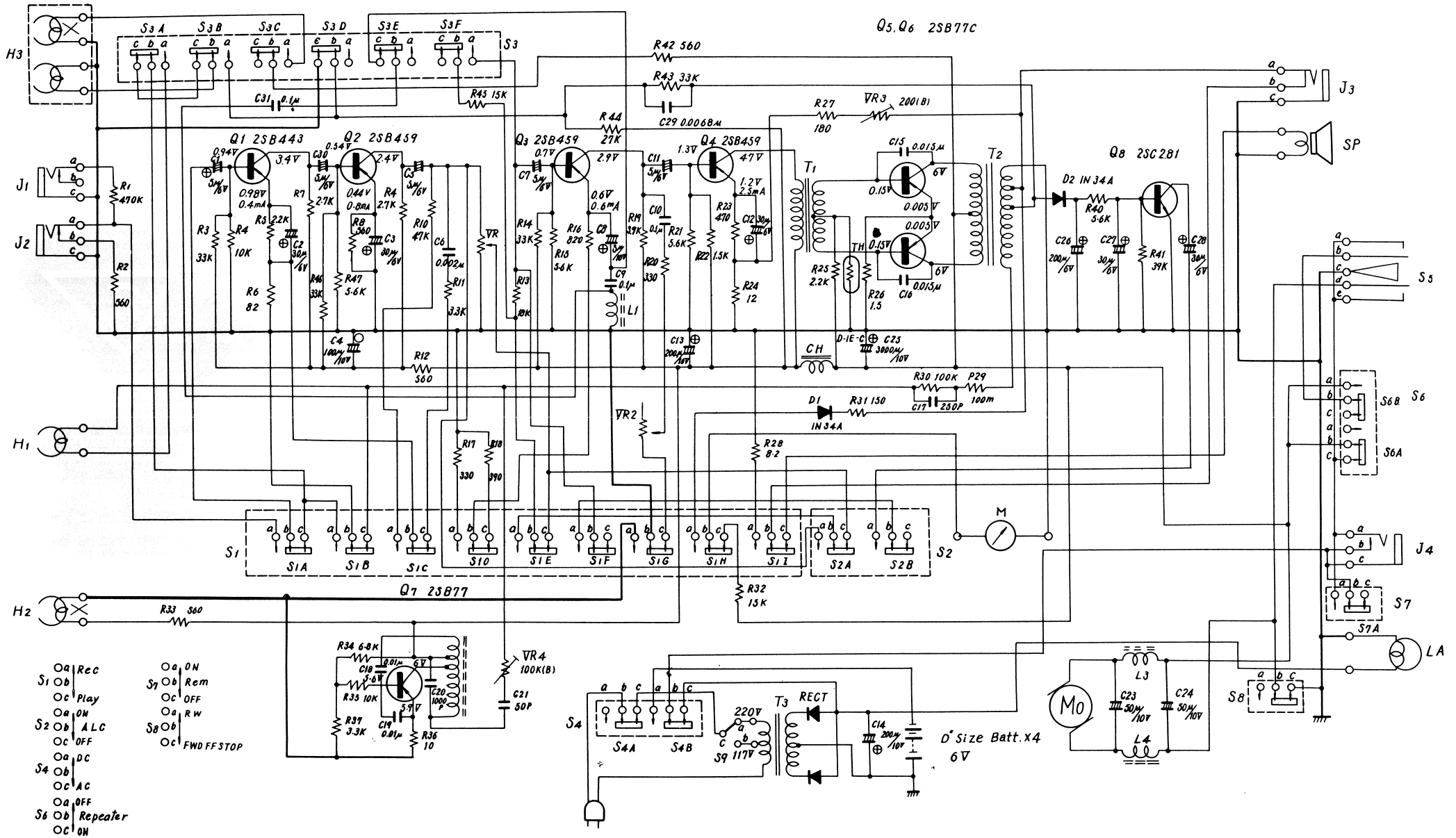
Power Consumption AC 7VA or less

b. Tape Repeating Section

Recording System . DC bias, 1 track
 Erase System DC magnet
 Recording Time ... 15 seconds
 Tape Speed 3-3/4 ips

c. Others

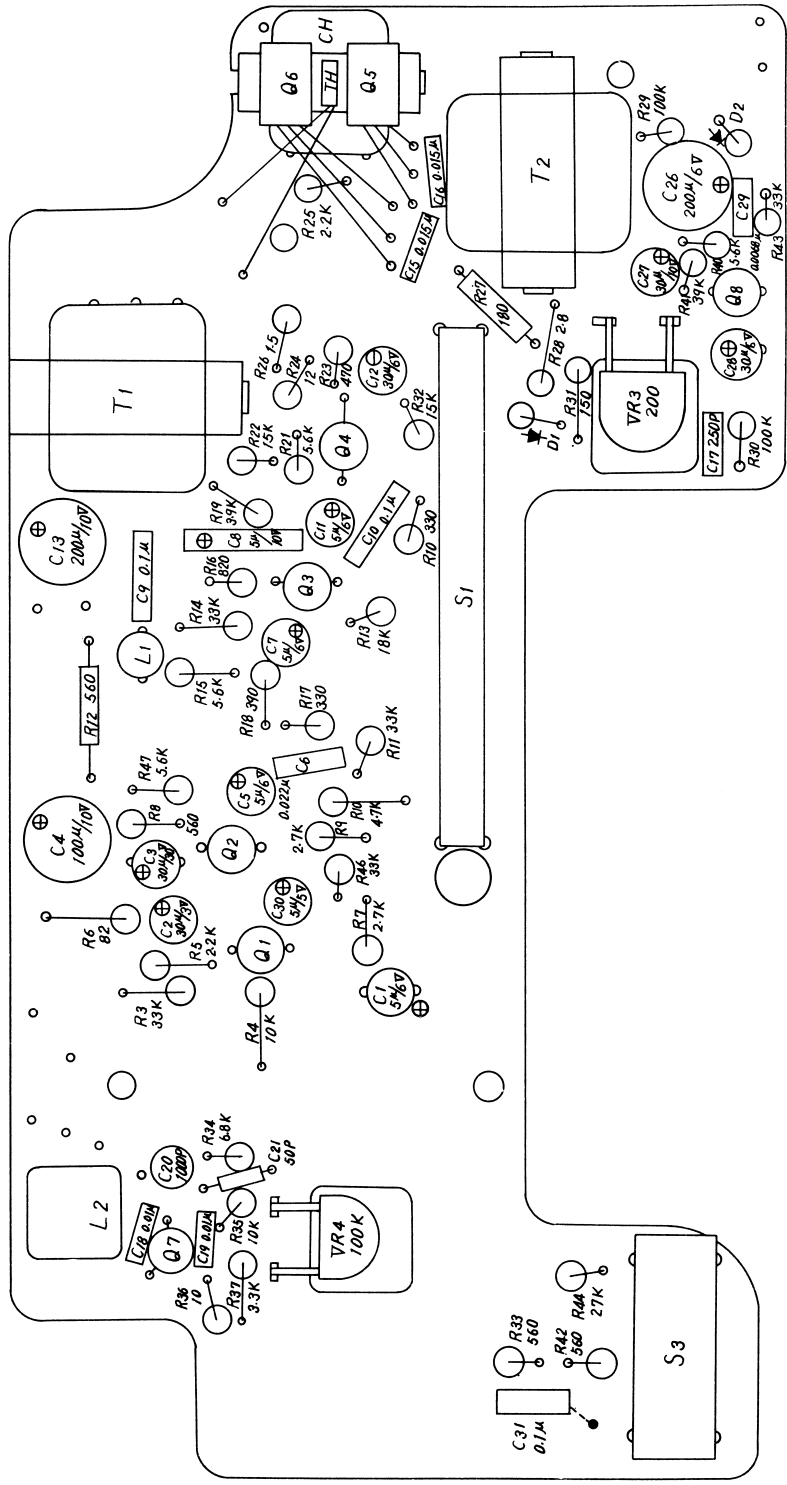
Power Source DC 6V, D* size Battery x 4
 AC 117/220V
 Dimensions 11-1/8 x 15-7/16 x 4 in
 Weight 9.2 lbs



- S1 a | Rec
- S1 b | ON
- S1 c | Play
- S2 a | ON
- S2 b | ALC
- S2 c | OFF
- S4 a | DC
- S4 b | OFF
- S4 c | AC
- S6 a | OFF
- S6 b | Repeater
- S6 c | ON
- S7 a | ON
- S7 b | Rem
- S7 c | OFF
- S8 a | RW
- S8 b | FWD
- S8 c | FF STOP

CROWN CTR-9650S

AMPLIFIER CHASSIS LAYOUT (Component side)



LEAD CONNECTIONS

