

IC 151
TR2004
CONV.
& IF AMP.

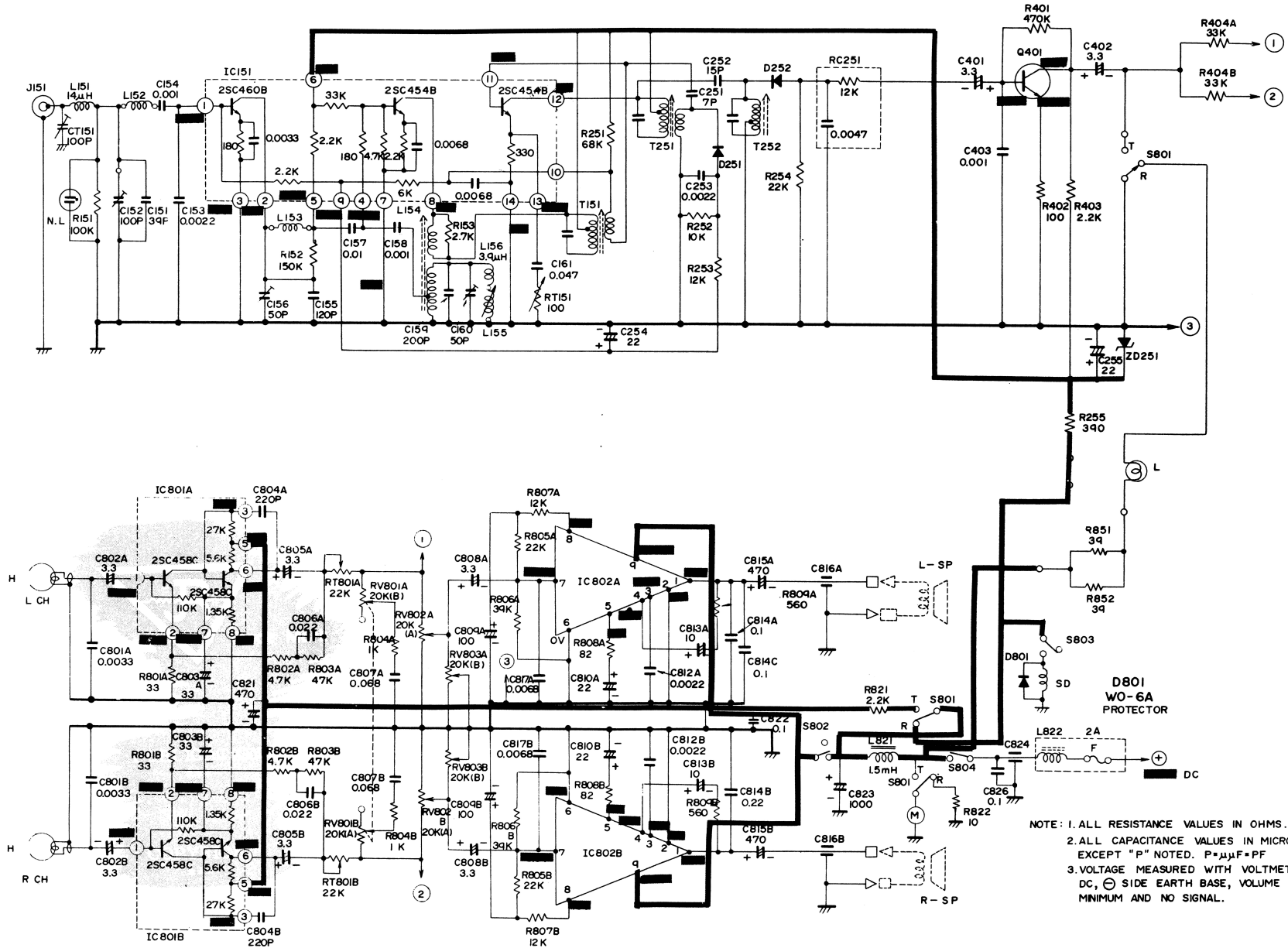
Hitachi CST-215

D251
IN34A
AGC

D252
IN34A
DET.

Q401
2SC458D
AF AMP.

ZD251
HZ-7
VOLT. STAB.



IC801A,B
FA6013M X 2
PRE-AMP.

IC802A,B
AN214 X 2
POWER AMP.

- NOTE: 1. ALL RESISTANCE VALUES IN OHMS. K=1000
2. ALL CAPACITANCE VALUES IN MICROFARAD (μF) EXCEPT "P" NOTED. P=μμF=PF
3. VOLTAGE MEASURED WITH VOLTMETER AT 14.4V DC, ⊖ SIDE EARTH BASE, VOLUME CONTROL AT MINIMUM AND NO SIGNAL.



- IC.....5
- TRANSISTORS1
- DIOEDS4
- RADIO CIRCUIT SYSTEM ...AM Superheterodyne
- TUNING RANGE530~1,605 kHz
- INTER MEDIATE FREQUENCY544 kHz
- CARTRIDGE.....Compact cassette
- TAPE SPEED1-7/8 ips (4.75 cm/s)
- TRACK SYSTEM4-track 2-channel 2-program (with stereo)
2-track 1-channel 2-program (with monaural)
- PLAYING TIME.....60 min (using C-60)
- FREQUENCY RANGE.....50~10,000 Hz
- AUDIO OUTPUT14 W (at 4 ohm load)
- OUTPUT IMPEADANCE4~8 ohm
- MOTORDC motor with governor
- POWER SUPPLYDC 14.4 V, negative ground
- CURRENT CONSUMPTION...1.5 A (at Max. output)
- DIMENSIONS2*(H)X7-1/16*(W)X5-1/8*(D)
(5 X 18 X 13 cm)
- WEIGHT.....3 lbs. 15 oz (1.8 kg)

