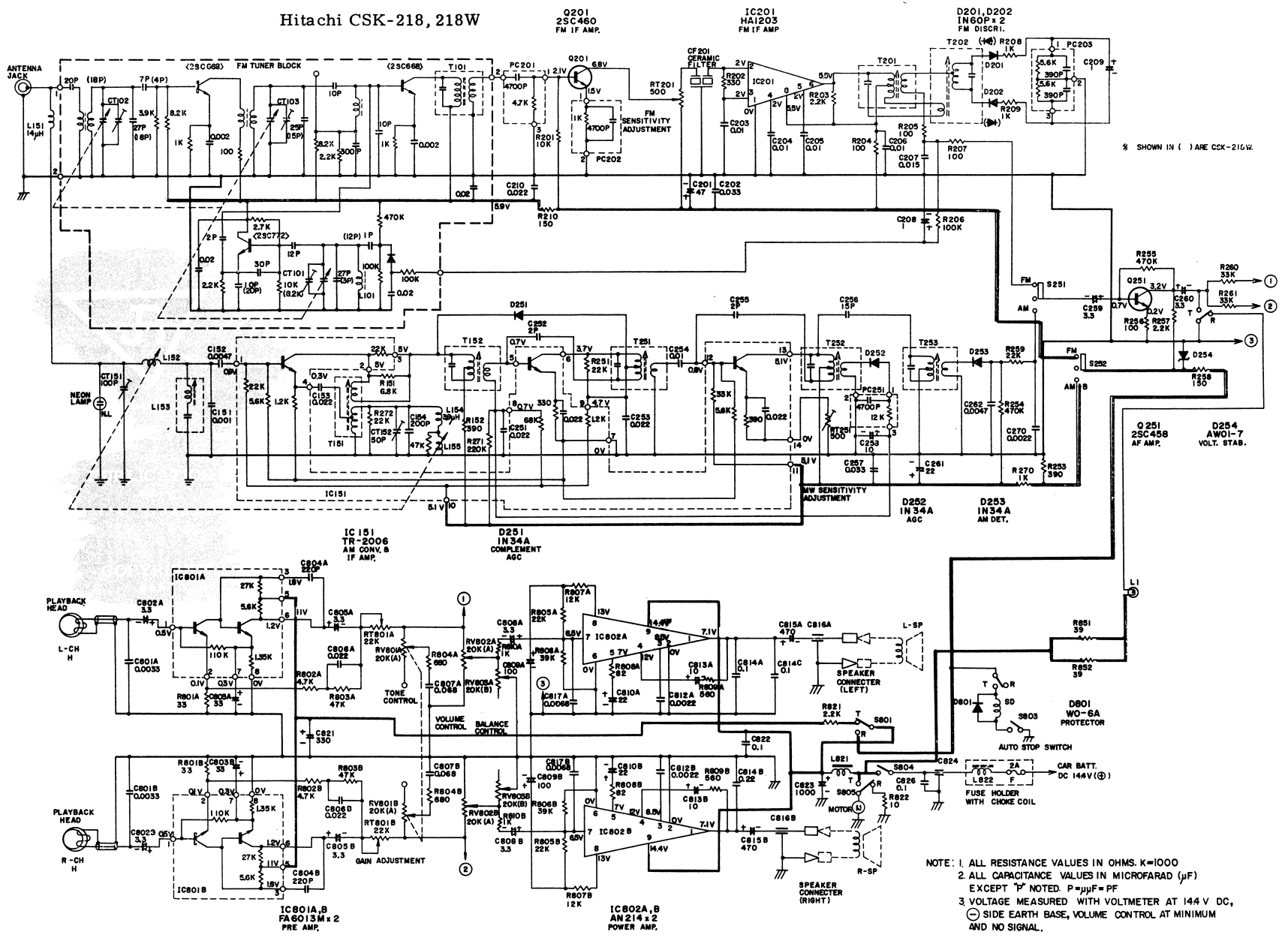


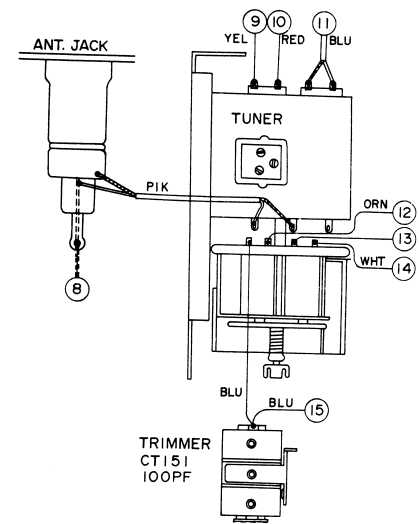
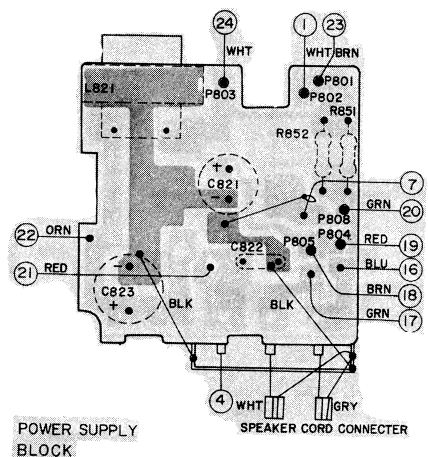
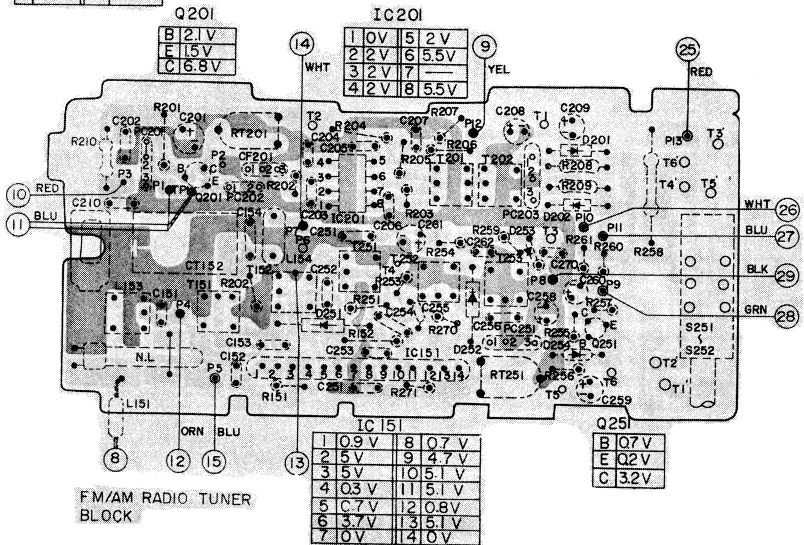
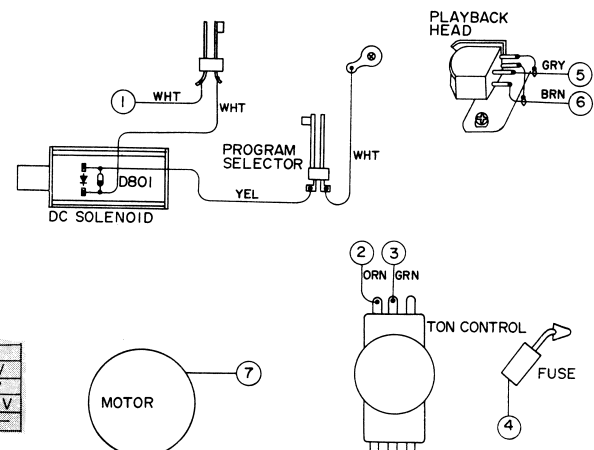
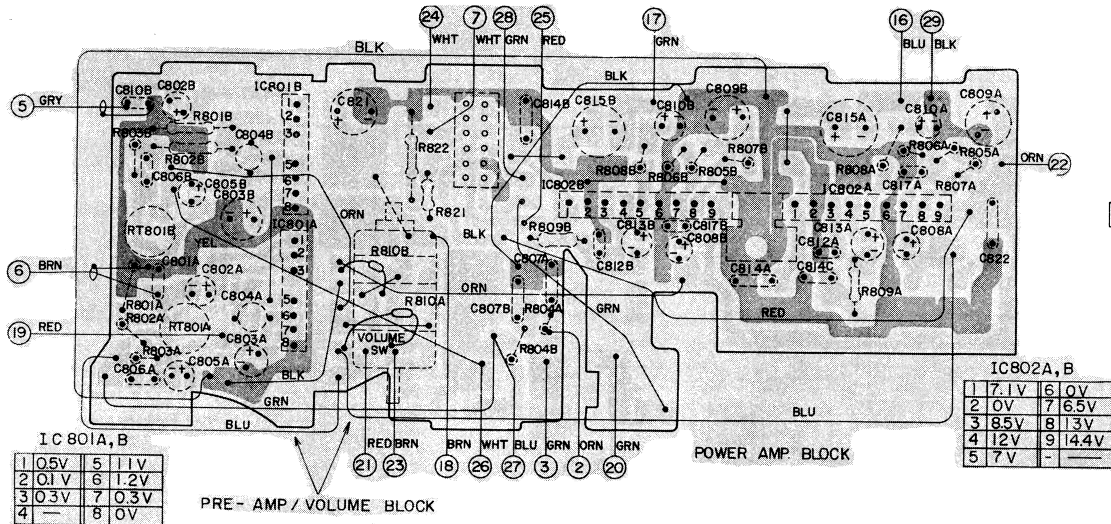
Hitachi CSK-218, 218W



\* SHOWN IN ( ) ARE CSK-216W.

- NOTE: 1. ALL RESISTANCE VALUES IN OHMS. K=1000  
 2. ALL CAPACITANCE VALUES IN MICROFARAD (μF)  
 EXCEPT "P" NOTED. P=μF=PF  
 3. VOLTAGE MEASURED WITH VOLTMETER AT 144 V DC,  
 ⊕ SIDE EARTH BASE, VOLUME CONTROL AT MINIMUM  
 AND NO SIGNAL.

**CIRCUIT BOARD DIAGRAM**





## HITACHI CASSETTE CAR STEREO

with FM/MW RADIO

MODEL **CSK-218**  
**CSK-218W**

# SERVICE MANUAL

## SPECIFICATIONS

PLAYBACK SYSTEM.....	4 track 2 channel 2 program (stereo) 2 track 1 channel 2 program (monaural)
TAPE.....	Compact cassette
TAPP SPEED.....	1 $\frac{1}{2}$ ips. (4.75cm/s)
IC.....	6
TRANSISTORS.....	5
DIODES.....	8
RADIO CIRCUIT SYSTEM.....	FM/AM superheterodyne
TUNING RANGE.....	FM: 88~104MHz 88~108MHz (CSK-218W) MW: 530~1,605kHz
INTERMEDIATE FREQUENCY.....	FM: 10.7MHz MW: 455kHz
SENSITIVITY.....	FM: 10 dB (max.) 15 dB (practical) MW: 30 dB (max.) 35 dB (practical)
AUDIO OUTPUT.....	14 W (Total at 4 ohm)
OUTPUT IMPEDANCE.....	4~8 ohm
FREQUENCY RANGE.....	50~10,000Hz
POWER SUPPLY.....	-DC: 14.4V Negative ground
POWER CONSUMPTION.....	1.5A or less
DIMENSIONS.....	(1 $\frac{1}{2}$ "(H)×7 $\frac{1}{2}$ "(W)×5 $\frac{1}{4}$ "(D) (5×18×15cm)
WEIGHT.....	4 lbs. 5 oz. (2.0kg)

## ACCESSORIES

CONNECTING CORD.....	1 set
INSTALLATION PARTS.....	1 set
FUSE (0591138).....	1