

IC101, 301
TA-2003X2
PRE AMP.

IC102, 302
HA-1306X2
AF AMP. & POWER AMP.

D101, 301
IS2076X 2
PREVENTION OF
DISTORTION

D5
WO-6A
PROTECTOR OF
PRUNGER

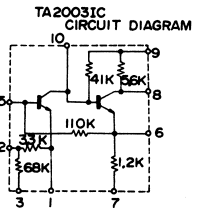
D 1, 2, 3, 4
WO-6A X 4
SWITCHING

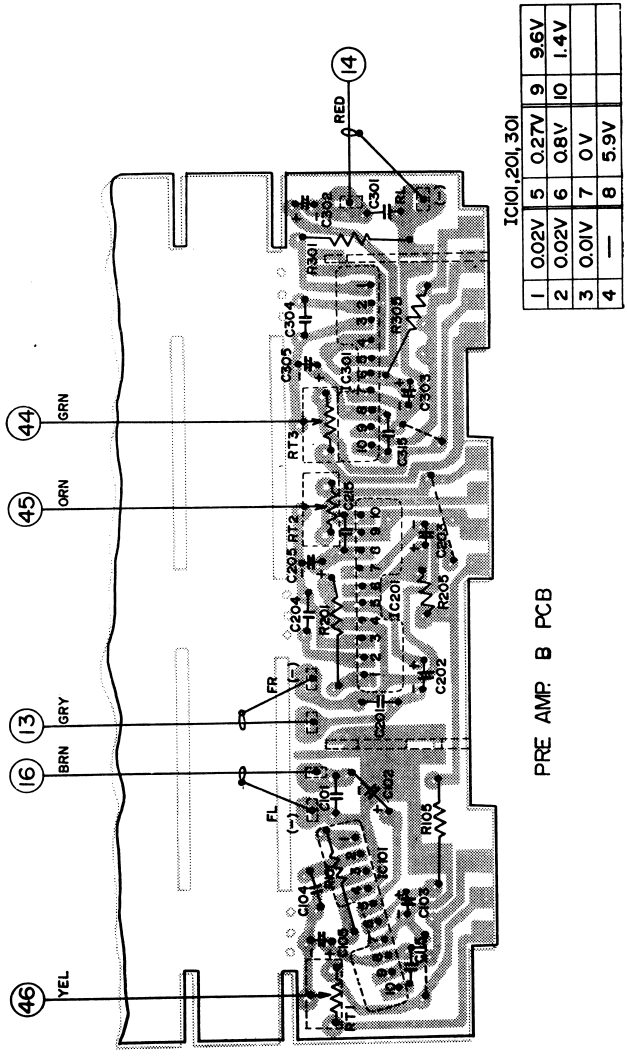
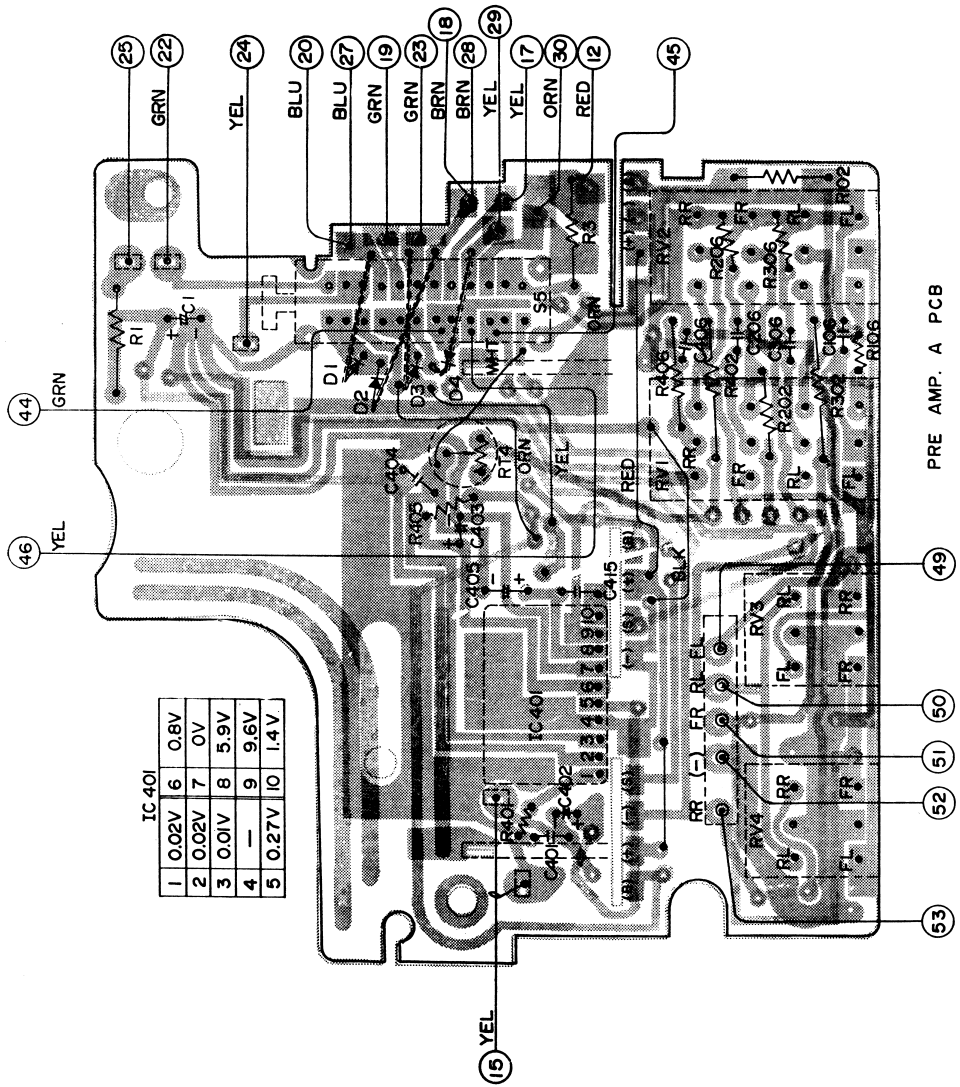
IC201, 401
TA-2003X2
PRE AMP.

IC 202, 402
HA-1306X2
AF AMP. & POWER AMP. PREVENTION OF OUTPUT DISTORTION

D 201, 401
IS2076X2

- NOTE
1. VOLTAGE MEASURED WITH VOLTMETER AT 14.4V DC. ⊕ SIDE EARTH. VOLUME CONTROL AT MINIMUM, TONE CONTROL AT HIGH POSITION AND NO SIGNAL.
 2. ALL RESISTANCE VALUES IN OHMS.
 3. ALL CAPACITANCE VALUES IN μF EXCEPT *P* NOTED. P = μμF = PF







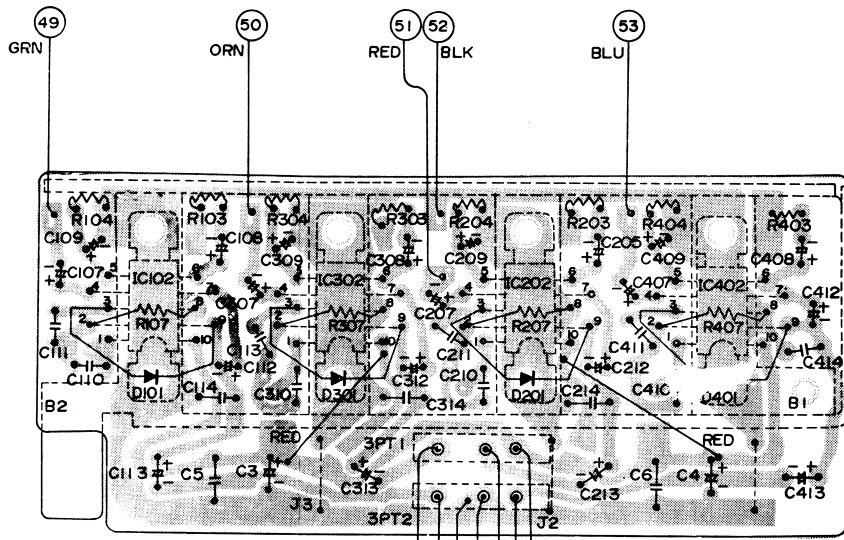
HITACHI 8 TRACK
2/4 CHANNEL CAR STEREO
MODEL CS-4000IC
SERVICE MANUAL

SPECIFICATIONS

| | |
|--|---|
| PLAYBACK SYSTEM.....8-track 2-channel 4-program and 8-track 4-channel 2-program | DIODES |
| CARTRIDGEStereo 8 track | D1) WO-6ASwitching |
| TAPE SPEED..... $3\frac{1}{4}$ ips (9.5cm/s) | D2) |
| PROGRAM CHANGE SYSTEM...Automatic or push button system | D3) WO-6APlunger Protector |
| IC (Integrated Circuit) | D4) |
| IC101 TA-2003Pre-amp. | D5) WO-6APlunger Protector |
| IC102 HA-1306AF Amp. and Power Amp. | D101) |
| IC201 TA-2003Pre-amp. | D201) 1S2076.....Prevention of distortion |
| IC202 HA-1306AF Amp. and Power Amp. | D301) |
| IC301 TA-2003Pre-amp. | D401) |
| IC302 HA-1306AF Amp. and Power Amp. | POWER SUPPLYDC 12V negative ground (Use car battery) |
| IC401 TA-2003Pre-amp. | CURRENT CONSUMPTION1A |
| IC402 HA-1306AF Amp. and Power Amp. | FREQUENCY RANGE50~10,000Hz |
| | AUDIO OUTPUT24W |
| | OUTPUT IMPEADANCE4 ohms |
| | DIMENSIONS $2\frac{3}{4}$ "(H) \times 6 $\frac{1}{8}$ "(W) \times 7 $\frac{1}{8}$ "(D) (7 \times 17 \times 18cm) |
| | WEIGHT5 lbs. 8 oz (2.5kg) |

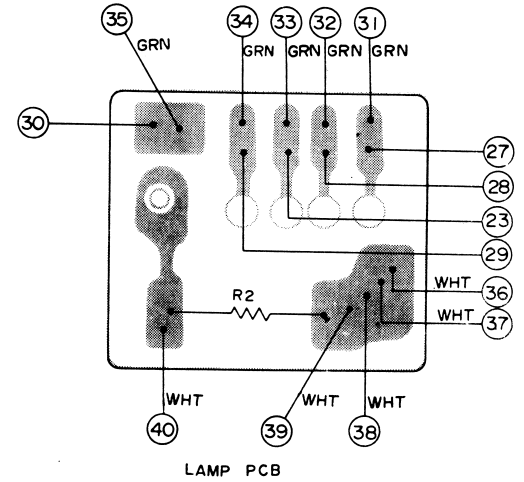
ACCESSORIES

| | |
|-----------------------------------|---|
| CONNECTING CORD (5745611,24)..... | 1 |
| INSTALLATION PARTS | 1 |
| FUSE (0591138) | 1 |
| Lock key (7185824) | 1 |

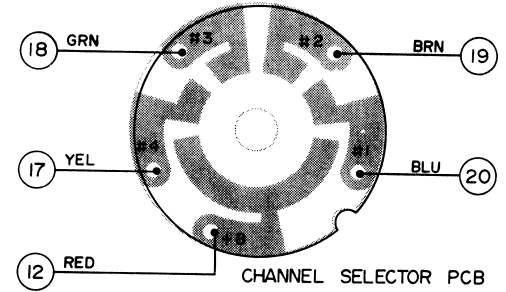


POWER AMP PCB

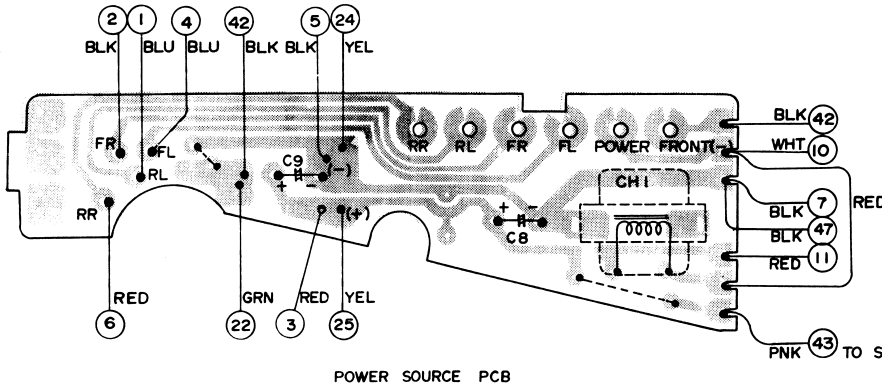
| IC102, 302, 202, 402 | | | | | | | | | |
|----------------------|------|---|------|---|-------|----|-----|--|--|
| 1 | 7V | 4 | 3.4V | 7 | 10.5V | 10 | 13V | | |
| 2 | 6.3V | 5 | 3.6V | 8 | 0V | | | | |
| 3 | 1.9V | 6 | 4.4V | 9 | 7V | | | | |



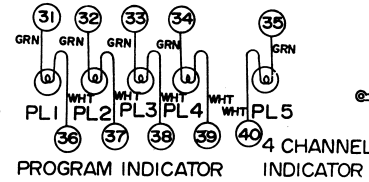
LAMP PCB



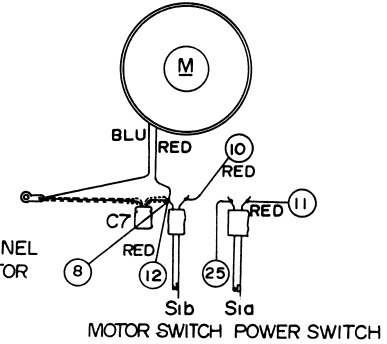
CHANNEL SELECTOR PCB



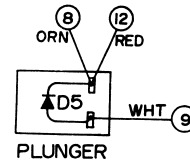
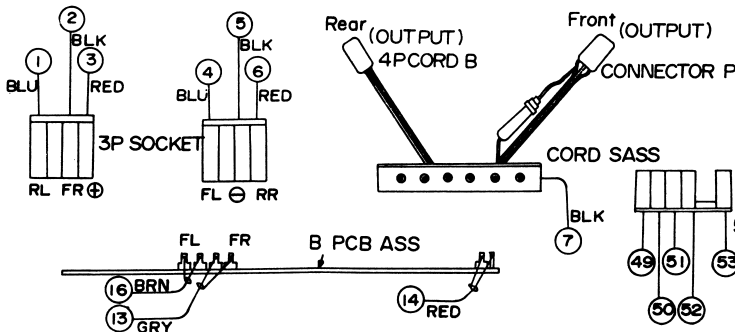
POWER SOURCE PCB



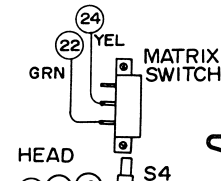
PROGRAM INDICATOR



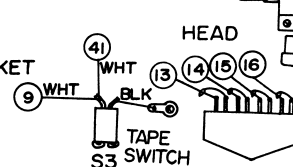
MOTOR SWITCH POWER SWITCH



PLUNGER



MATRIX SWITCH



HEAD



4 CHANNEL S2 SELECTOR