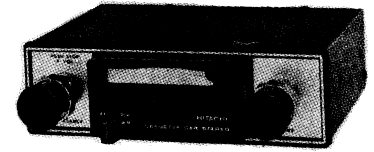
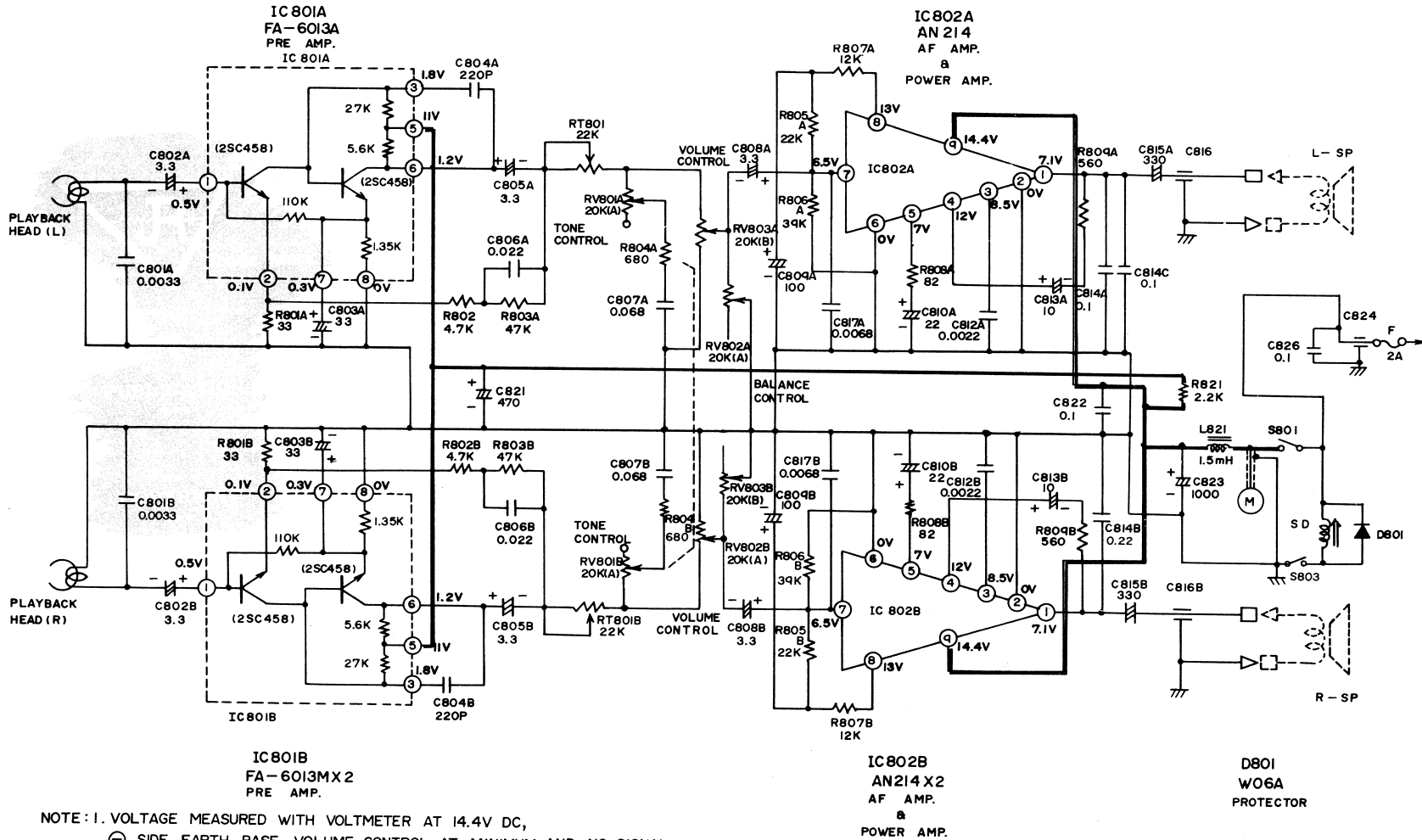
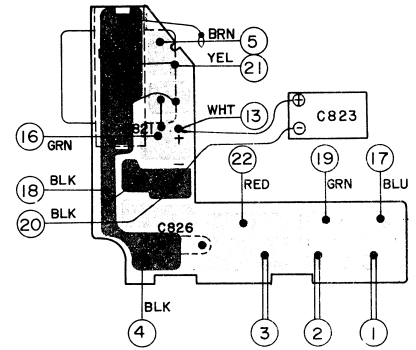
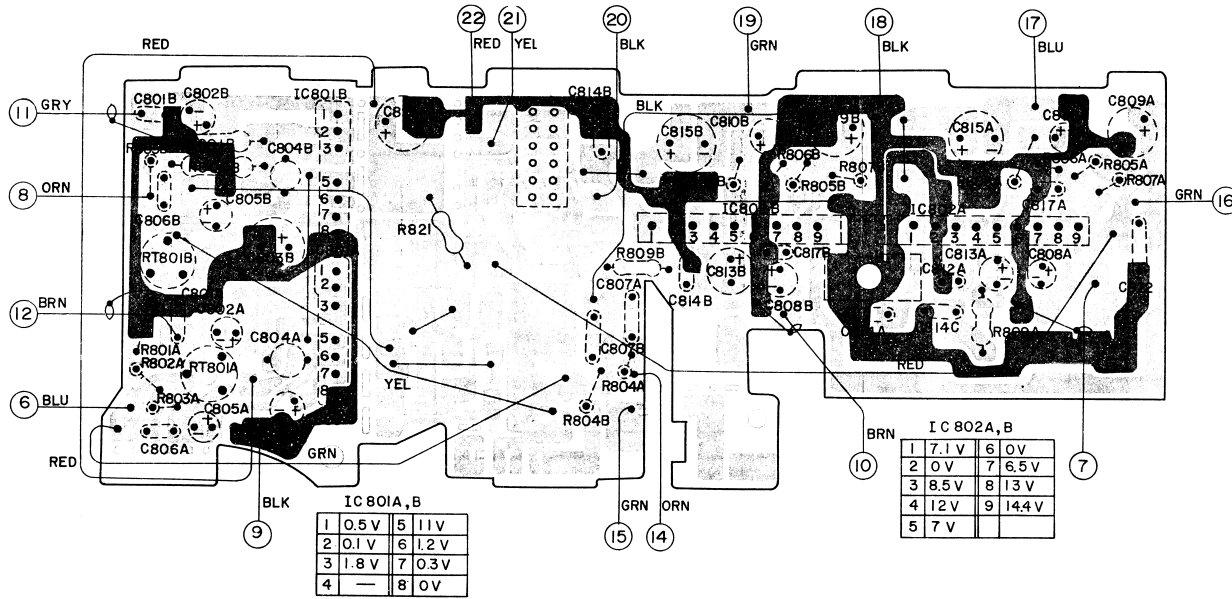


PLAYBACK SYSTEM.....	4-track 2-channel 2-program stereo playback system (2-track 1-channel 2-program monaural)
TAPE.....	Compact cassette
TAPE SPEED.....	1 7/8 ips (4.75cm/s)
IC.....	4
DIODE.....	1
FREQUENCY RANGE.....	50~10,000Hz
AUDIO OUTPUT.....	14W (Total), 4 ohms
OUTPUT IMPEDANCE.....	4~8 ohms
POWER SUPPLY.....	DC: 14.4V, ⊕ earth
CURRENT CONSUMPTION.....	1.5A
DIMENSIONS.....	2*(H)×7 1/4*(W)×5 1/4*(D) (5×18×13cm)
WEIGHT.....	3 lbs. 12 oz. (1.7kg)



SCHEMATIC DIAGRAM





IC 802A, B

1	7.1V	6	0V
2	0V	7	6.5V
3	8.5V	8	13V
4	12V	9	14.4V
5	7V		

IC 801A, B

1	0.5V	5	11V
2	0.1V	6	1.2V
3	1.8V	7	0.3V
4	—	8	0V

