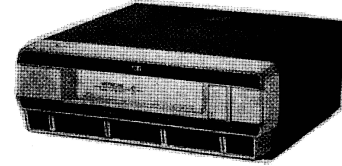


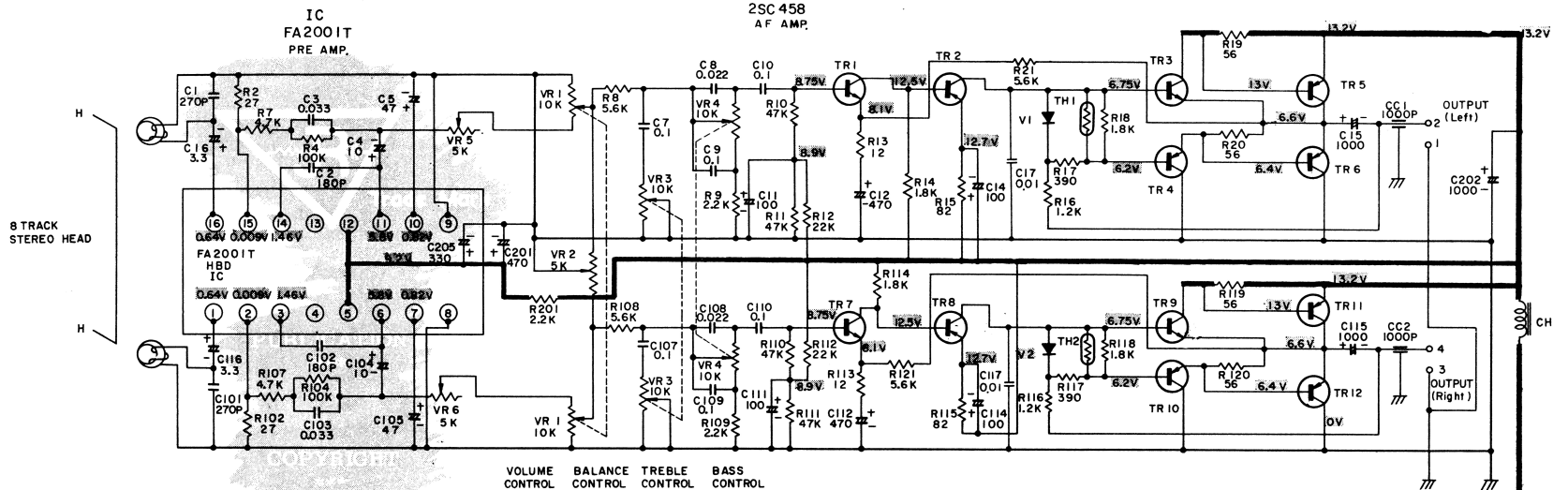
PLAYBACK SYSTEM8-track 2-channel 4-program
 CARTRIDGEStereo 8 tracks
 TAPE SPEED3 $\frac{3}{4}$ ips
 PROGRAM CHANGE SYSTEM...Automatic or push button system
 IC (Integrated Circuit)
 IC FA2001TPRE Amp.
 TRANSISTORS
 TR1 2SC458AF Amp.
 TR2 2SB77AF Amp.
 TR3,4 2SD77, 2SB77Complement Amp.
 TR5,6 2SB337x2Power Amp.
 TR7 2SC458AF Amp.
 TR8 2SB77AF Amp.
 TR9,10 2SD77, 2SB77Complement Amp.
 TR11,12 2SB337x2Power Amp.
 TR13 2SB367Volt. Stab.

DIODES
 D HR-5AProtector
 ZD TR-9S.....Volt. Stab.
 VARISTERS
 VA1 HV-46.....Volt. Stab.
 VA2 HV-46.....Volt. Stab.
 THERMISTORS
 TH1 D-2B.....Temp. Comp.
 TH2 D-2B.....Temp. Comp.
 POWER SUPPLY.....DC 12V[negative ground
 (Use car battery)
 CURRENT CONSUMPTION0.5A
 FREQUENCY RANGE30~12000Hz
 AUDIO OUTPUT18W at 4 ohm
 DIMENSIONS.....2 $\frac{3}{8}$ "(H) \times 7 $\frac{1}{2}$ "(W) \times 8 $\frac{1}{4}$ "(D)
 WEIGHT6lbs. 13oz.

Hitachi CS-1700 1C H77



TR 2	V1	TH1	TR 3	TR 4	TR 5	TR 6
2SB 77	HV-46	D-2B	2SD77	2SB 77	2SB337	2SB337
AF AMP.	VOLT. STAB.	TEMP. COMP.	COMPLEMENT AMP.	COMPLEMENT AMP.	POWER AMP.	POWER AMP.



TR 7	TR 8	V2	TH 2	TR 9	TR 10	TR 11	TR 12	TR 13
2SC 458	2SB 77	HV-46	D-2B	2SD 77	2SB 77	2SB 337	2SB 337	2SB 367
AF AMP.	AF AMP.	VOLT. STAB.	TEMP. COMP.	COMPLEMENT AMP.	COMPLEMENT AMP.	POWER AMP.	POWER AMP.	VOLT. STAB.

- NOTE:
1. VOLTAGE MEASURED WITH VOLTMETER AT 13.2V DC \ominus SIDE EARTH, VOLUME CONTROL AT MINIMUM AND NO SIGNAL.
 2. ALL RESISTANCE VALUES IN OHMS. K=1000
 3. ALL CAPACITANCE VALUES IN μ F EXCEPT "P" NOTED. P= μ F PF

