

CIRCUIT DIAGRAM

TR 1  
2SC458(LG)S PRE AMP.

TR 2  
2SC281(C) PRE AMP.

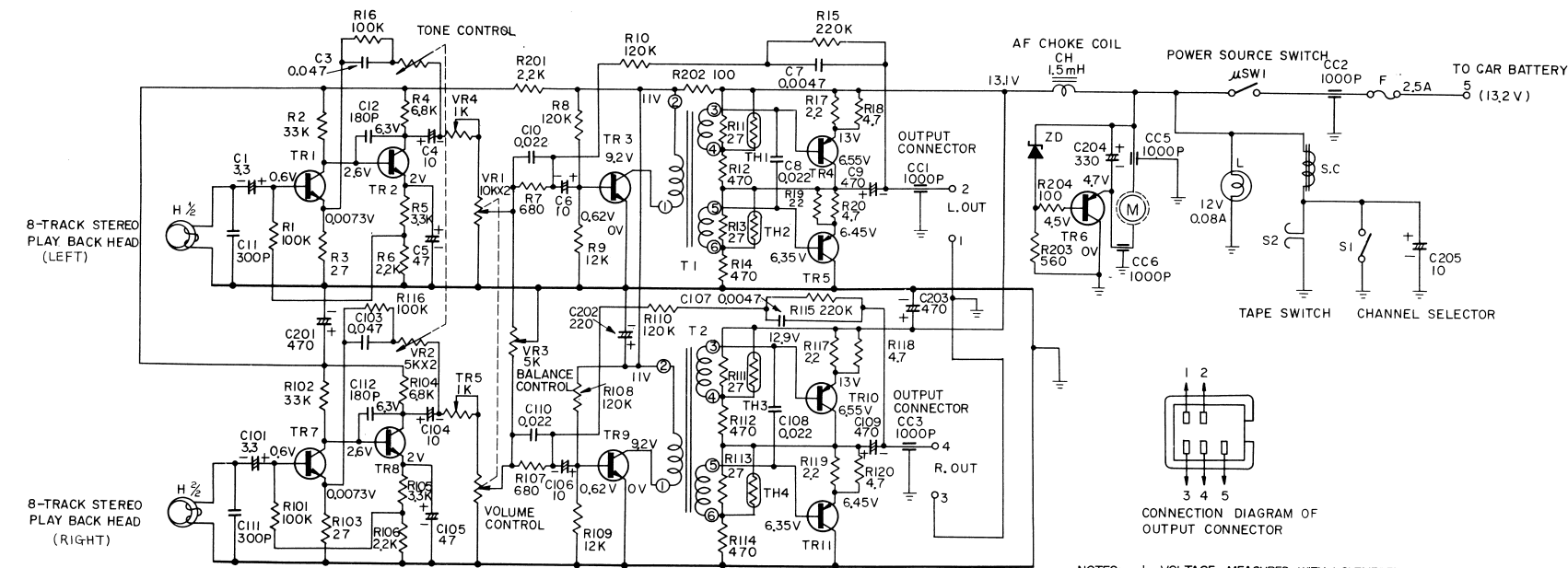
TR 3  
2SC281(C) AF AMP.

TH1, TH2  
13D27X2 TEMPERATURE COMPENSATOR

TR 4, TR 5  
2SB370(C)PX2 POWER AMP.

ZD  
TR-9S VOLTAGE STABILIZER

TR 6  
2SB367(A) VOLTAGE STABILIZER



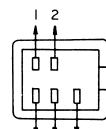
TR 7  
2SC458(LG)S PRE AMP.

TR 8  
2SC281(C) PRE AMP.

TR 9  
2SC281(C) AF AMP.

TH3, TH4  
13D27X2 TEMPERATURE COMPENSATOR

TR10, TR11  
2SB370(C)PX2 POWER AMP.



CONNECTION DIAGRAM OF OUTPUT CONNECTOR

- NOTES:
1. VOLTAGE MEASURED WITH VOLTMETER AT 13.2V DC, ⊖ SIDE EARTH BASE, VOLUME CONTROL AT MINIMUM AND NO SIGNAL.
  2. ALL RESISTANCE VALUES IN OHMS. K=1000
  3. ALL CAPACITANCE VALUES IN  $\mu$ F EXCEPT "P" NOTED. P= $\mu$ MF = PF