

CIRCUIT DIAGRAM

I.C.
TA2002
PRE AMP.

TR1
2SC458(C)
AF AMP.

TR2
2SB77(C)
DRIVER

TR3
2SD77(A)
COMPLEMENT

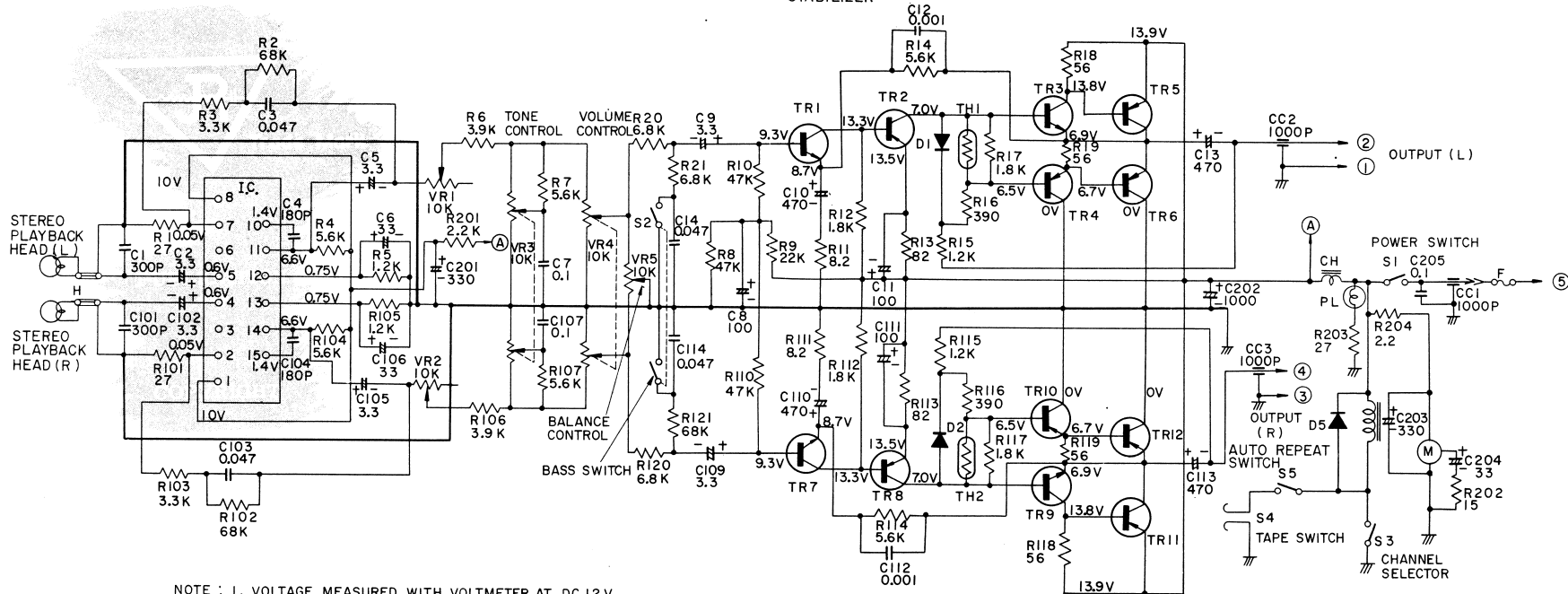
DI
HV-46
VOLTAGE
STABILIZER

TH1
D-2B
TEMP. COMP.

TR4
2SB77(A)
COMPLEMENT

TR5
2SB337(B)
POWER AMP.

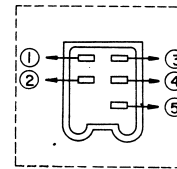
TR6
2SB337(B)
POWER AMP.



NOTE : 1. VOLTAGE MEASURED WITH VOLTMETER AT DC 12V,
⊖ SIDE EARTH, VOLUME CONTROL AT MINIMUM AND NO SIGNAL.

2. ALL RESISTANCE VALUES IN OHMS. K=1000

3. ALL CAPACITANCE VALUES μ F EXCEPT "P" NOTED. P= μ F=PF



CONNECTOR

TR7
2SB458(C)
AF AMP.

TR8
2SB77(C)
DRIVER

TR9
2SD77(A)
COMPLEMENT

D2
HV-46
VOLTAGE
STABILIZER

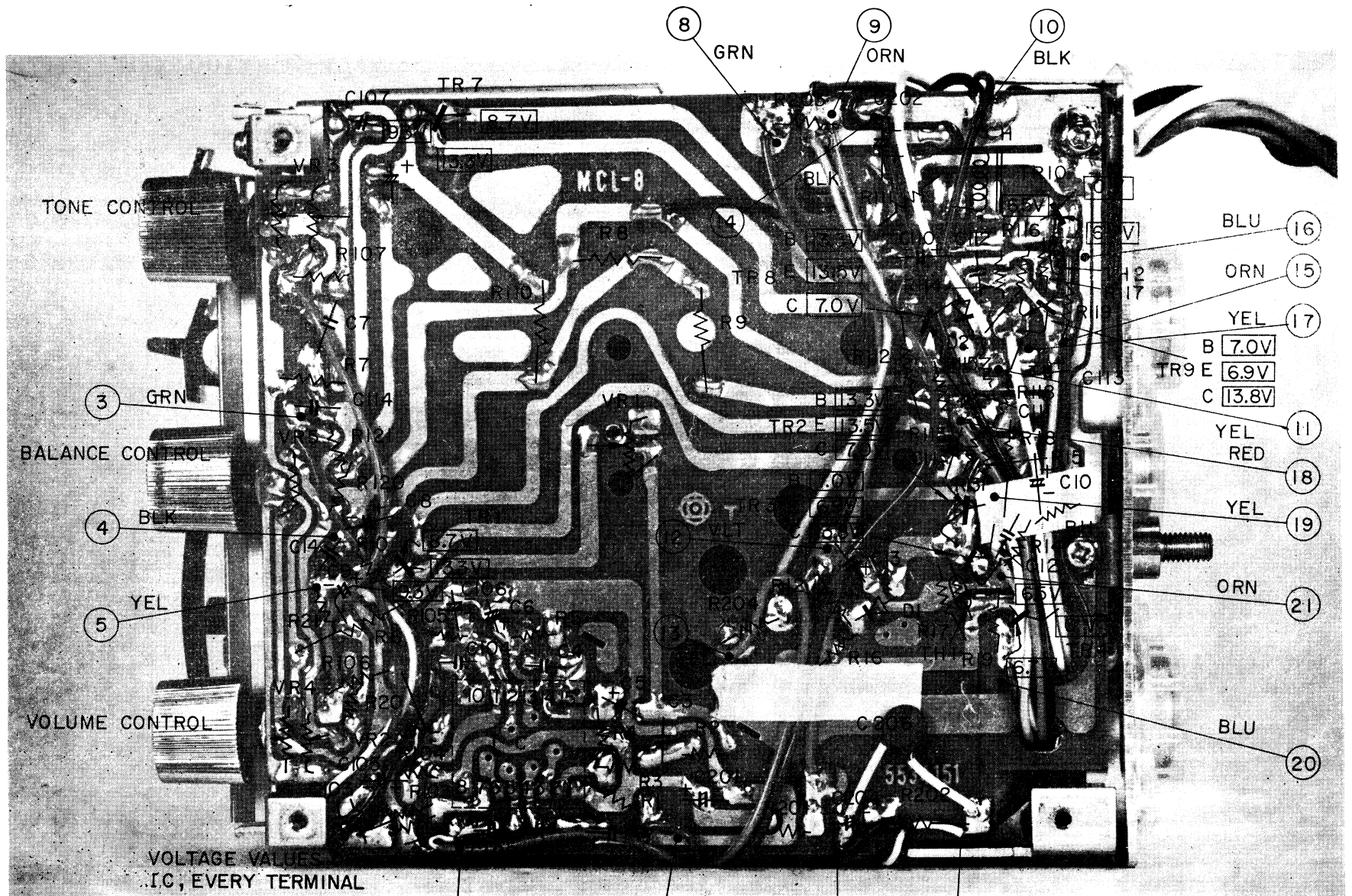
TH2
D-2B
TEMP. COMP.

TR10
2SB77(A)
COMPLEMENT

TR11
2SB337(B)
POWER AMP.

TR12
2SB337(B)
POWER AMP.

D5
HR-5B
PROTECTOR



VOLTAGE VALUES
IC, EVERY TERMINAL

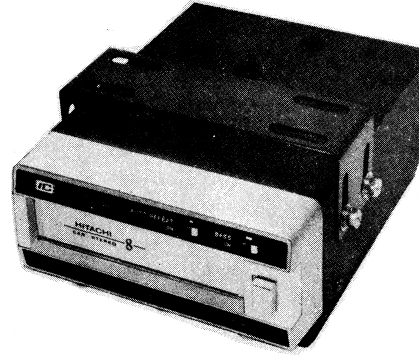
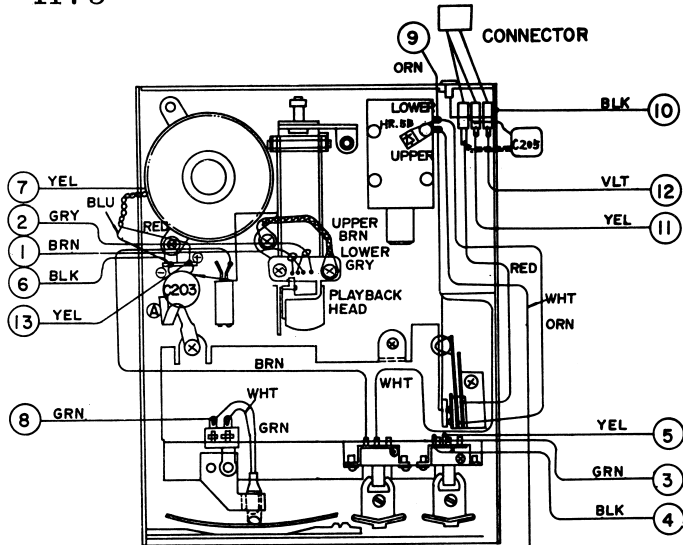
1	10V		
2	0.05V	15	1.4V
3		14	6.6V
4	0.6V	13	0.75V
5	0.6V	12	0.75V
6		11	6.6V
7	0.05V	10	1.4V
8	10V		

GRY

BRN

BLK

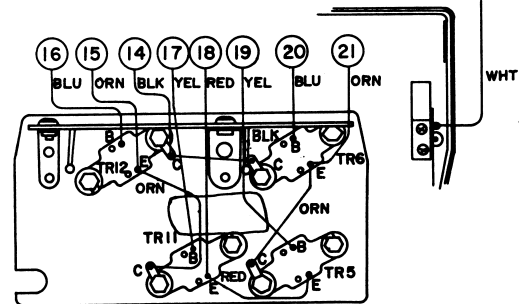
YEL



HITACHI CAR STEREO

MODEL CS-1100C

SERVICE MANUAL



VOLTAGE VALUES OF EVERY PART

TR 5	E	13.9V	TR 11	E	13.9V
	B	13.8		B	13.8
	C	6.9		C	6.9
TR 6	E	6.9V	TR 12	E	6.9V
	B	6.7		B	6.7
	C	0		C	0

SPECIFICATIONS

- PLAYBACK SYSTEM.....8-tracks, 4 channels
- INTEGRATED CIRCUIT.....IC, 1
- TRANSISTORS2SC458×2
2SD 77×2
2SB337×4
2SB77×4
- DIODE.....HR-5B×1
- VARISTERS.....HV-46×2
- THERMISTERS.....D-2B×2
- POWER SUPPLY.....DC 12V negative ground
(use car battery)
- CURRENT CONSUMPTION.....0.5 ampere
- TAPE SPEED.....3 $\frac{3}{8}$ s ips
- PROGRAM CHANGE SYSTEM.....Automatic or push button system
- CARTRIDGEStereo 8 tracks
- FREQUENCY RANGE.....30~12,000Hz
- AUDIO OUTPUT.....Integrate 16W at
2 speakers, 4 ohm
- OUTPUT IMPEDANCE.....4 ohm
- DIMENSIONS2 $\frac{3}{8}$ "(H)×5 $\frac{3}{8}$ "(W)×6 $\frac{1}{8}$ "(D)
(7.2 × 13.2 × 17cm)
- WEIGHT5 lbs. 12 oz (2.6kg)

ACCESSORIES

- CONNECTING CORD.....1
- INSTALLATION PARTS.....1
- FUSE.....1
- HEAD-CLEANING STICK.....1