

**SPECIFICATIONS**

**Hitachi CS-1050 1C**

**H72**

PLAYBACK SYSTEM.....8-track 2-channel 4-program  
 CARTRIDGE.....Stereo 8 tracks  
 TAPE SPEED.....3¾ ips  
 PROGRAM CHANGE SYSTEM...Automatic or  
 push button system

IC (Integrated Circuit)  
 IC FA2001T.....PRE Amp.

TRANSISTORS

TR 1	2SC458.....AF Amp.	} Left
TR 2	2SB 77.....AF Amp.	
TR 3,4	2SD77, 2SB77.....Complement Amp.	
TR 5,6	2SB337×2.....Power Amp.	
TR 7	2SC458.....AF Amp.	} Right
TR 8	2SB 77.....AF Amp.	
TR 9,10	2SD77, 2SB77.....Complement Amp.	
TR11,12	2SB337×2.....Power Amp.	

DIODES  
 D 5 VO-6A.....Protector

VARISTERS  
 VA1 HV-46.....Volt. Stab.  
 VA2 HV-46.....Volt. Stab.

THERMISTORS  
 TH1 D-2B.....Temp. Comp.  
 TH2 D-2B.....Temp. Comp.

POWER SUPPLY.....DC 12V negative ground  
 (Use car battery)

CURRENT CONSUMPTION.....0.5A

FREQUENCY RANGE.....30~12000Hz

AUDIO OUTPUT.....16W at 4 ohm

DIMENSIONS.....2¾"(H)×5¾"(W)×6¾"(D)  
 (7.2 × 13.2 × 17cm)

WEIGHT.....5 lbs. 12 oz. (2.6kg)



IC  
 TA2002  
 PRE AMP.

TR 1, TR 7  
 2SC458 X 2  
 AF AMP.

TR2, TR 8  
 2SB77 X 2  
 AF AMP.

D 1, D 2  
 HV-46 X 2  
 VOLT. STAB.

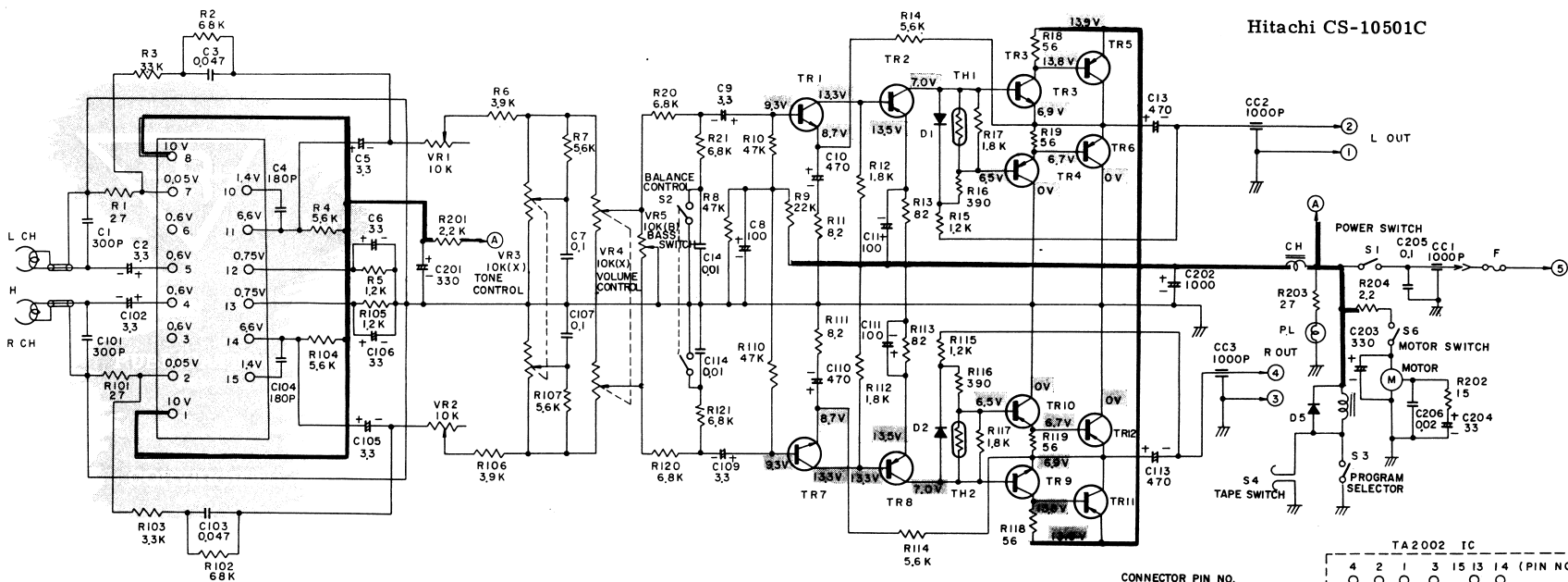
TH 1, TH 2  
 D-2 B X 2  
 TEMP. COMP.

TR 3, TR 9  
 2SD77 X 2  
 COMPLEMENT AMP.

TR 4, TR 9  
 2SB77 X 2  
 COMPLEMENT AMP.

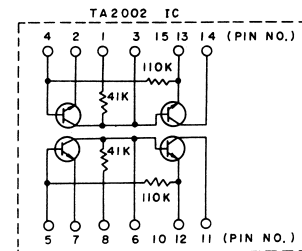
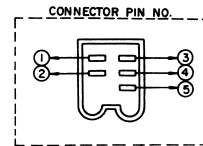
TR 5, TR 6, TR 10, TR 11  
 2SB337 X 4  
 POWER AMP.

D 5  
 VO-6A  
 PROTÉCTOR



NOTE:

1. ALL RESISTANCE VALUES IN OHMS. K=1000
2. ALL CAPACITANCE VALUES IN  $\mu$ F EXCEPT "P" NOTED. P= $\mu$ F=PF
3. VOLTAGE MEASURED WITH VOLTMETER AT 13.2V DC  $\ominus$  SIDE EARTH, VOLUME CONTROL AT MINIMUM AND NO SIGNAL.



Hitachi CS-10501C

