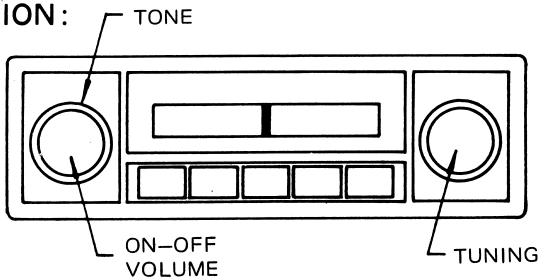




CRUISER 7

Universal car radio model **CR7-18N** Owner's guide

OPERATION:



1. Power Switch/Volume Control

Switch the radio on by turning the inner **left-hand** knob clock-wise. The Volume is controlled by further movement of this knob.

2. Tone Control

Set the outer **left-hand** knob to the point which provides the desired tone.

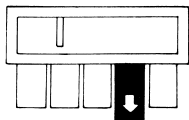
3. Manual Tuning

Turn the right-hand knob in either direction until the pointer indicates the desired station. Tune to the point where the station comes in loudest and clearest.

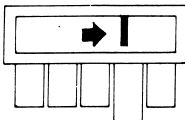
4. Push-Button Tuning

Any five stations can be chosen and changed at will. For ease in setting, you may find it best to set them in the order that they are found on the dial scale. The adjustment procedure is as follows:—

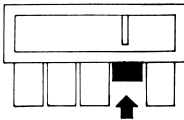
Pull out the push-button to be preset.



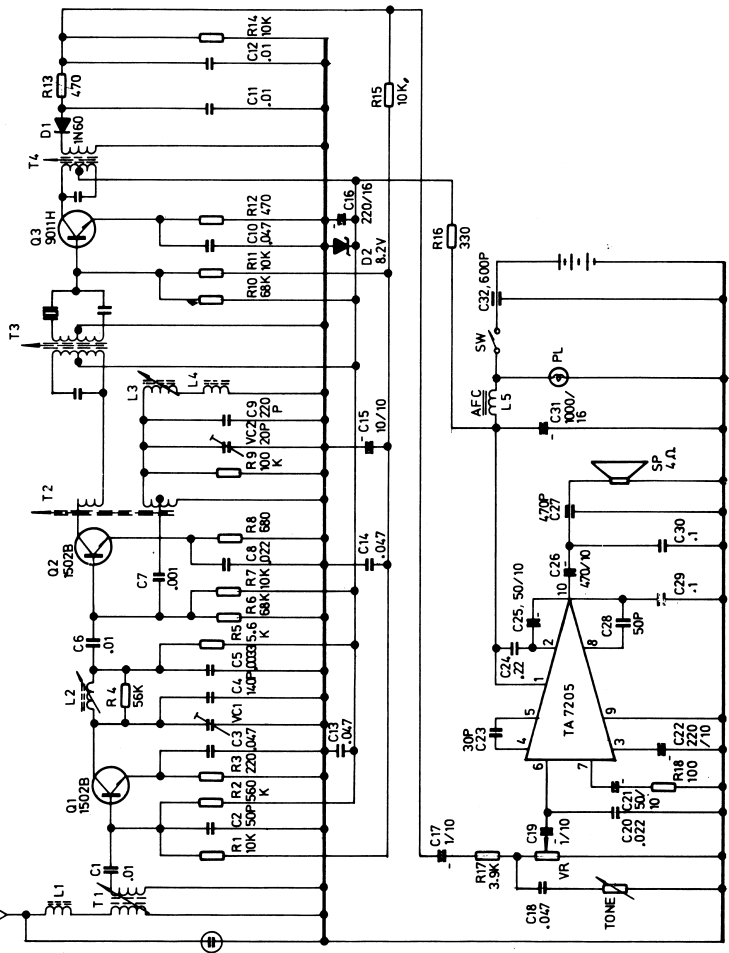
Tune in the desired station with the Manual Tuning knob.



Full depress the push-button.



SCHEMATIC DIAGRAM:



WARRANTY REGISTRATION

To be completed in ink, by the dealer and/or installer.

Model of Car

Registration No. of Car

Model of Radio Receiver

Serial No. of Receiver

From Whom Purchased

Date of Delivery or Installation

Mileage at Installation

Owner's Name and Address

SPECIAL ADVICE TO OWNER

Ensure that the above particulars are completed at the time of purchase and/or installation. This is to be retained by the owner and presented when warranty service is sought. Any mutilation or failure to supply this information may result in warranty service being refused.

For insurance purposes inform your Insurance Company of the model and serial number of your car radio.

WARRANTY SERVICE ARRANGEMENTS

Should any defect in the receiver become apparent within the period of the Warranty, such defect will be rectified at the premises of any of the Authorised Car Radio Service Stations. A fault, apparently in the receiver, may however be caused by circumstances connected with the installation, or the vehicle's electrical system, and it is strongly recommended that both the radio and the vehicle be made available for inspection.

SPECIFICATIONS:

Tuning Range:	530 - 1605 kHz
IF Frequency:	455 kHz
Load Impedance:	4ohm (or 8 ohm)
Power Output:	8.5W max.
Power Supply:	12V negative earth
Power Consumption:	less than 2A
Dimensions:	
Height:	42mm
Width:	160mm
Depth:	115mm
Weight:	0.8kg

WARRANTY

This Cruiser 7 Car Radio Receiver is Warranted subject to the conditions stated below. to be free from manufacturing defect and faulty material within a period of ninety days from the date of installation in the vehicle specified in the Warranty Registration.

CONDITIONS

1. That the Warranty Registration has been completed in full at the time of purchase and/or installation, and is produced when Warranty Service is sought.
2. That all transportation costs incurred in the rectification of the defect are payable by the Purchaser.
3. That the receiver has been used only in conjunction with approved antenna and accessories.
4. That the receiver has not at any time been repaired by any person other than at an Authorised **A. W. A.** Radio Service Station, nor altered and tampered with in any way whatsoever, and that the serial number has not been altered, defaced or removed, and that the defect was not due to misuse, negligence, or similar cause or to connection incorrect power supply.
5. Warranty does not cover replacement of pilot lamps.
6. That there shall not in any event be liability for any consequential loss or damage whatsoever, direct or indirect.

INSTALLATION:

Fit the aerial according to the instructions supplied with it.
 Mount the speaker in a convenient spot for good acoustic effect without interfering with the driver or operation of the car.
 Install the radio as indicated in the diagram.
 Fit suppression components as required.
 Connect radio power lead to a convenient 12 volt source e.g. spare accessory connection on fuse panel, ignition switch etc.
 Connect aerial and speaker leads to the radio.
 The aerial trimmer on the radio **MUST BE TUNED** at the end of the installation. Tune radio to near 1500kHz (about 12.5mm from right-hand end of dial scale), but not on a station. With volume set at a comfortable level, adjust and set the aerial trimmer for maximum noise.

TYPICAL SUPPRESSION METHODS

