

TOYOTA

AUDIO COMPONENT SERVICE MANUAL



CN-TS6190A

Display Unit

TOYOTA PART No. : 86111-53030

VEHICLE : LEXUS IS200/300

DESTINATION : North America, Europe, Australia

PRODUCTED AFTER : Jun., 2001

Specification*

General

Power Supply	DC 12V (11V - 16V), Test Voltage 13.2V Negative Ground
Current Consumption	Less than 2.5A

Dimensions**	179 x 109 x 50 mm
Weight**	740g

Display Block

Display Type	7" wide TFT panel
Display Size	234 x 1440 (dot)
Pixel Layout	Vertical Stripe

* Specifications and the design are subject to possible modification without notice due to improvements.

** Dimensions and Weight shown are approximate.

PUB. No. 80609

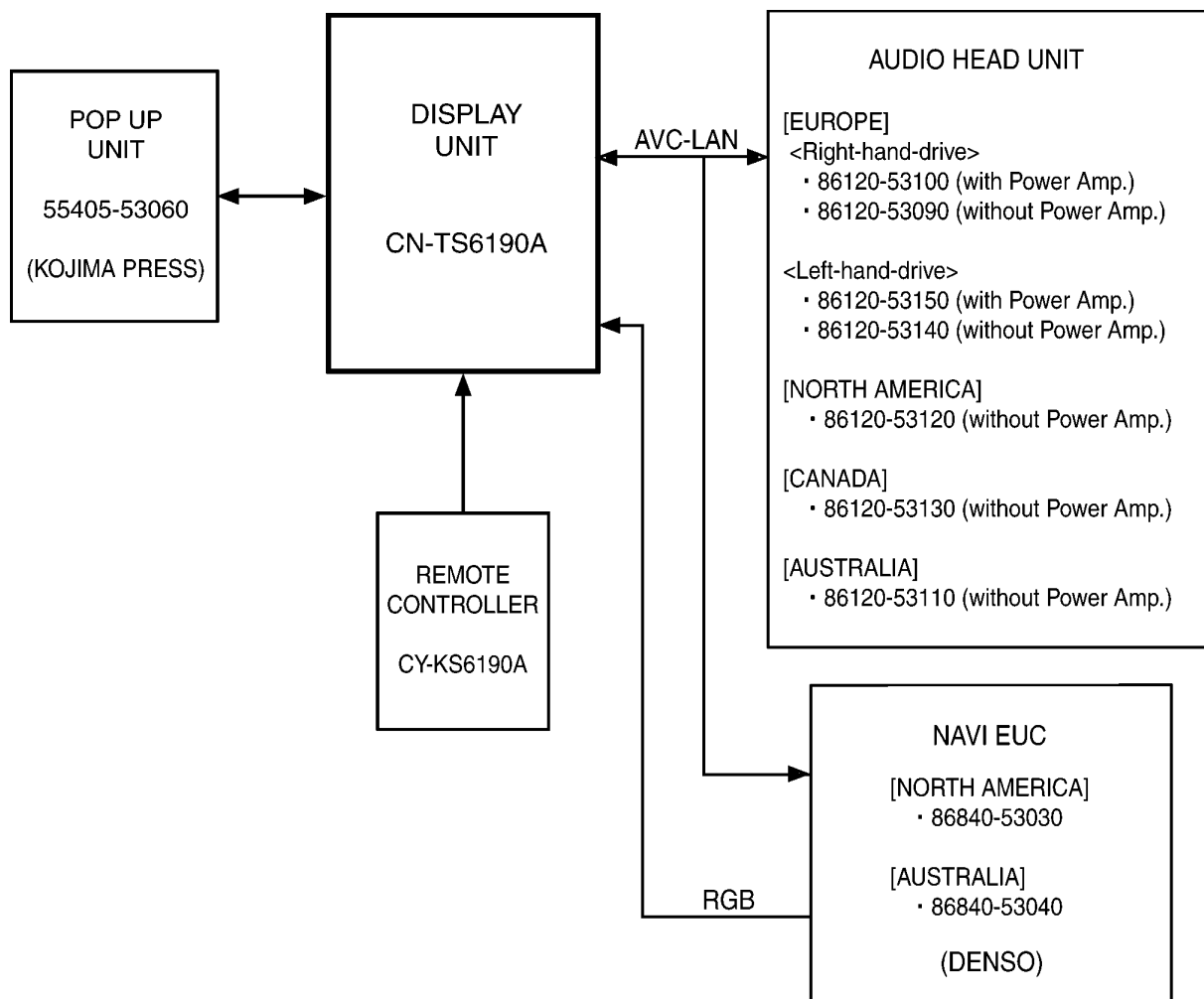
CONTENTS

	Page		Page
1 FEATUERS	2	6 IC BLOCK DIAGRAM	5
2 SYSTEM BLOCK DIAGRAM	2	7 REPLACEMENT PARTS LIST	6
3 FRONT VIEW	3	8 EXPLODED VIEW (Unit)	7
4 REAR VIEW AND CONNECTORS	3	9 WIRING DIAGRAM	8
5 WIRING CONNECTIONS	4	10 SCHEMATIC DIAGRAM	9

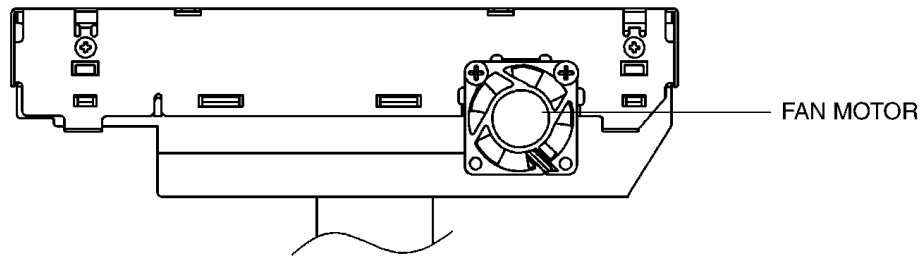
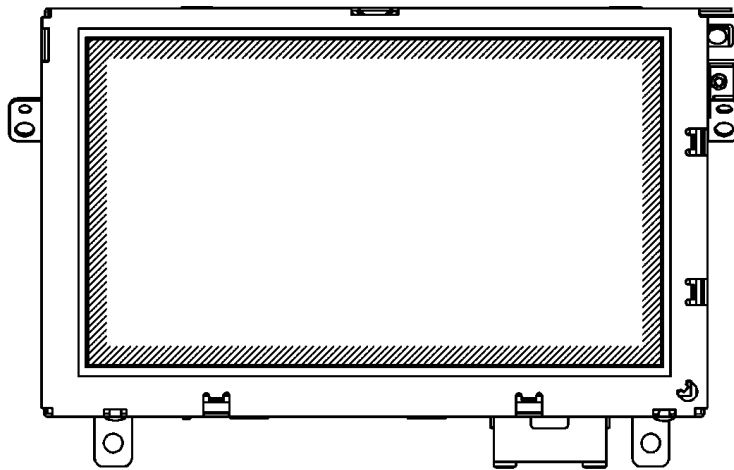
1 FEATUERS

- Compliance with TOYOTA AVC-LAN.
- Low-reflection 7" color TFT LCD.
- Compliance with NTCS input .

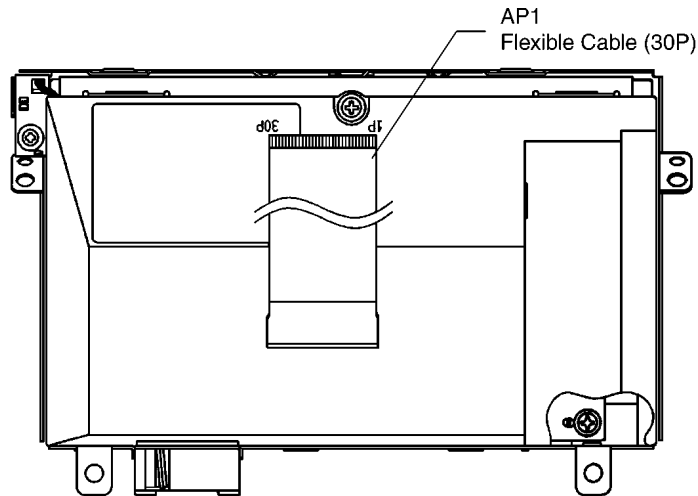
2 SYSTEM BLOCK DIAGRAM



3 FRONT VIEW

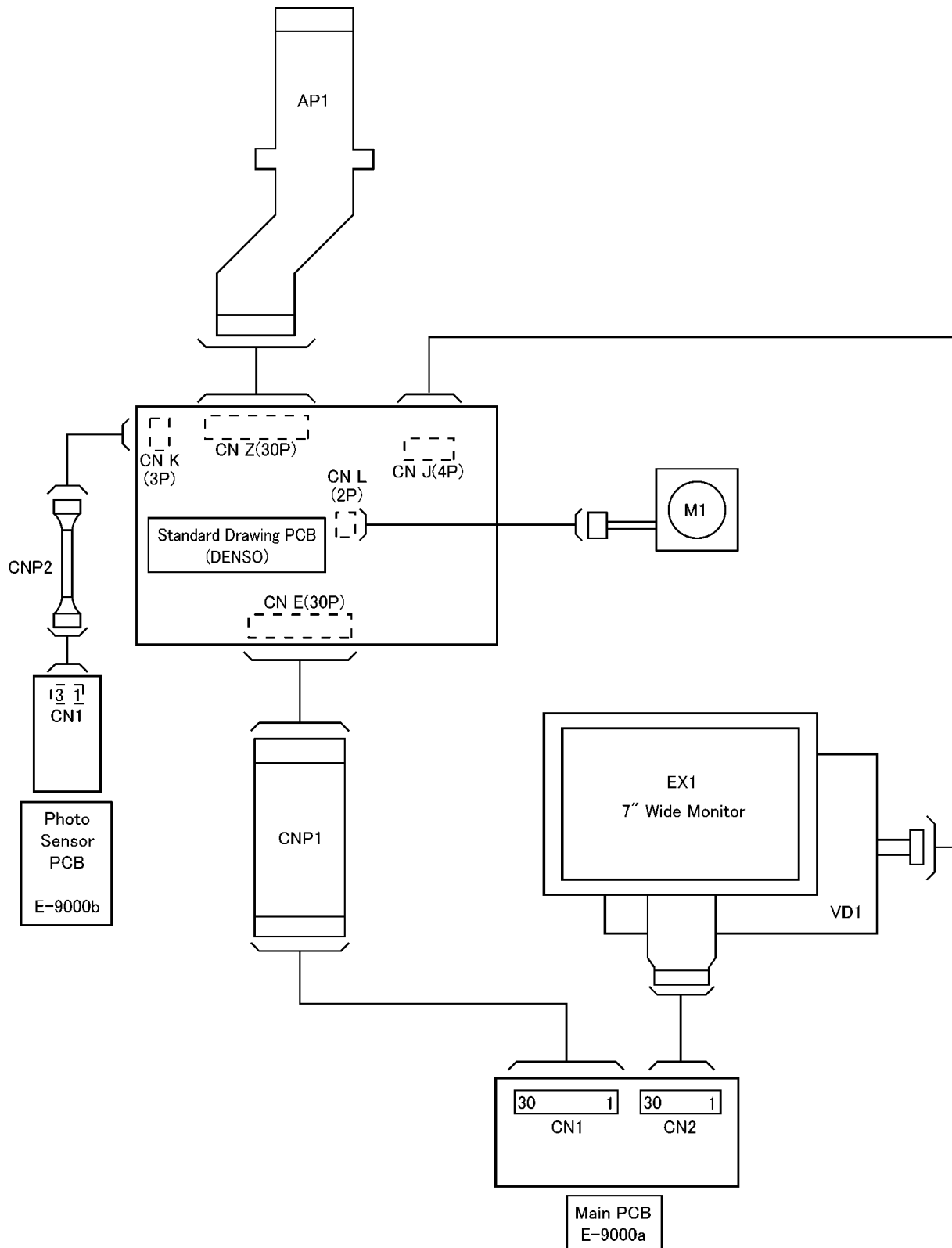


4 REAR VIEW AND CONNECTORS

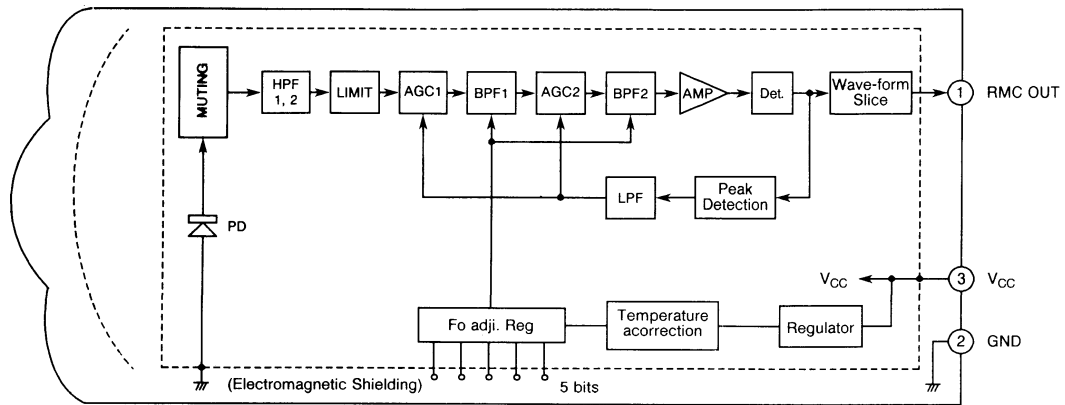


AP1 30P FLEXIBLE CABLE					
1. Power Supply, +B1	(+B1)	11. AVC-LAN TX+	(TX+)	21. Shield (Remo Cont. Sig.)	(SG1)
2. Power Supply, +B1	(+B1)	12. AVC-LAN TX-	(TX-)	22. OPEN/CLOSE	(RE2)
3. Power Supply, +B1	(+B1)	13. Shield (TX Sig.)	(SG)	23. Video R	(R)
4. Power Supply, ACC	(ACC)	14. Reverse Sig.	(REV)	24. Ground (Video Sig.)	(VG)
5. Ignition Sig.	(IG)	15. Speed Sig.	(SPD)	25. Video B	(B)
6. Ground	(GND)	16. Parking Break Sig.	(PKB)	26. Video G	(G)
7. Nighttime Dimmer	(ADIM)	17. OPEN/CLOSE Sig.	(OPEN/CLOSE)	27. Video Ref. Vol.	(VR)
8. Nighttime Dimmer	(TAIL)	18. Diagnosis Input	(TC)	28. Composite Sync. Sig.	(SYNC)
9. Ground	(GND)	19. Remote Cont.	(RE1)	29. Video Sig.	(NTCS)
10. Ground	(GND)	20. Title Sig.	(TITL)	30. Shield (TV Sig.)	(SG)

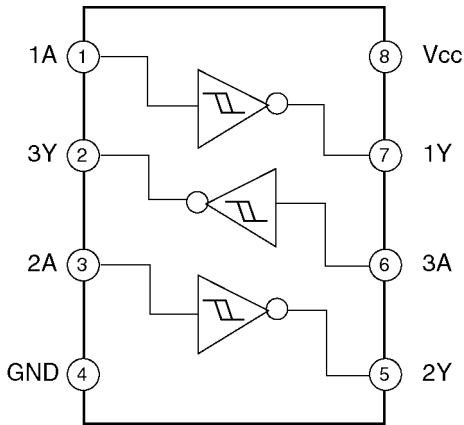
5 WIRING CONNECTIONS



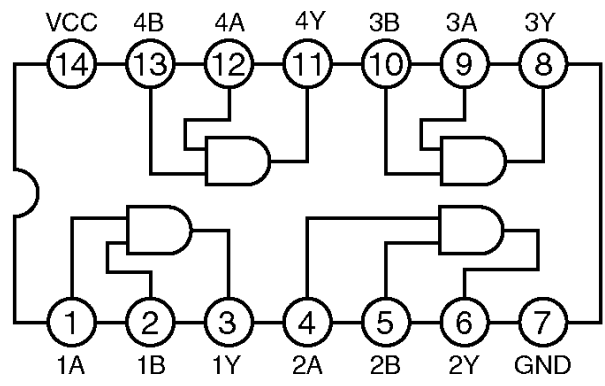
6 IC BLOCK DIAGRAM



IC51 : YEAMSBX8035F



IC102 : YEAMTC7W14UL



IC103 : C0JBAA000291

7 REPLACEMENT PARTS LIST

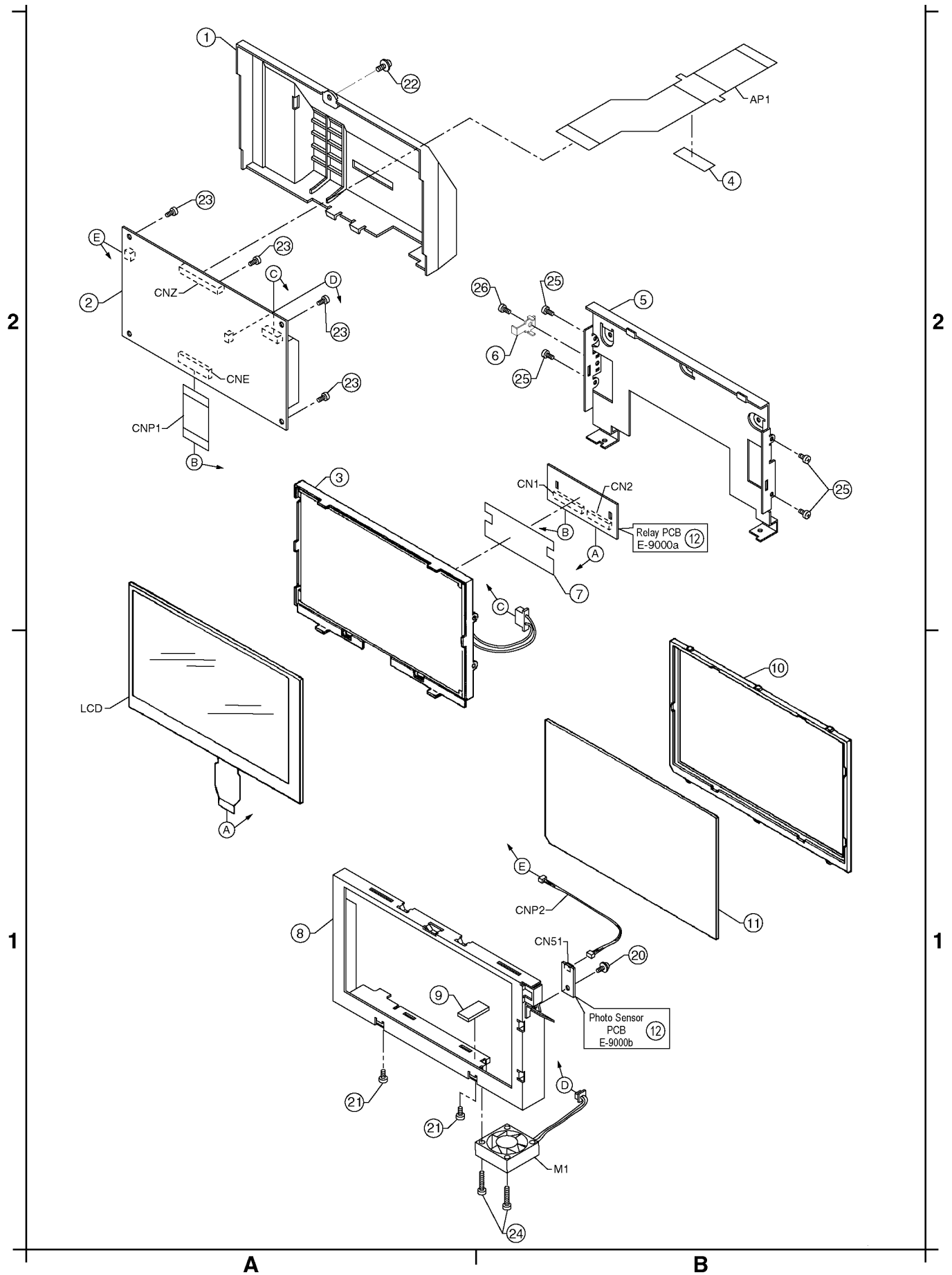
Notes :

1. Be sure to make your orders of replacement parts according to this list.
2. Important safety notice: Components, identified by Δ mark have special characteristics important for safety. When replacing any of these components, use only manufacturer's specified parts.
3. Location keys in the remarks column indicates the general location of the parts shown in the exploded drawing, as in a road map.
4. The marking (RTL) indicates that Retention Time is limited for this item. After the discontinuation of assembly in production, the item will continue to be available for a specific period of time. The retention period of availability is dependent on the type of assembly, and in accordance with the laws governing part and product retention. After the end of this period, the assembly will no longer be available.
5. "MCC" marks in remarks column are indicated supply parts of Matsushita Communication Industrial Corp. of America (MCC).

Ref. No.	Part No.	Part Name & Description	Remarks
[E9000]			
IC's and TRANSISTORS			
IC51	YEAMSBX8035F	IC	
IC101	COJBAB000149	IC	
IC102	YEAMTC7W14UL	IC	
IC103	COJBAA000291	IC	
DIODES			
D1	YEAD1SS355T1	Diode	
D2	YEAD1SS355T1	Diode	
D3	YEAD1SS355T1	Diode	
D4	MA2J72900L	Diode	
D5	MA2J72900L	Diode	
CAPACITORS			
C1	YECUZ1H221JC	Ceramic, 220PF 50WV	
C2	YECUZ1H332KX	Ceramic, 0.0033 μ F 50WV	
C3	F1H1H152A201	Ceramic, 0.0015 μ F 50WV	
C4	YECUZ1C104KX	Ceramic, 0.1 μ F 16WV	
C5	YECUZ1C104KX	Ceramic, 0.1 μ F 16WV	
C6	YECUZ1C104KX	Ceramic, 0.1 μ F 16WV	
C7	YECUZ1C104KX	Ceramic, 0.1 μ F 16WV	
C8	F1L1E2250002	Ceramic, 2.2 μ F 25WV	
C9	F1L1C4750006	Ceramic, 4.7 μ F 16WV	
C10	YECUV0J106KX	Ceramic, 10 μ F 6.3WV	
C11	YECUV0J106KX	Ceramic, 10 μ F 6.3WV	
C12	YECUV0J106KX	Ceramic, 10 μ F 6.3WV	
C13	F1L1C4750006	Ceramic, 4.7 μ F 16WV	
C14	F1L1E2250002	Ceramic, 2.2 μ F 25WV	
C15	YECUV0J106KX	Ceramic, 10 μ F 6.3WV	
C52	YECUV0J106KX	Ceramic, 10 μ F 6.3WV	
RESISTORS			
J1	ERJ3GEY0R00V	Chip, 0 Ω 1/16W	
J2	ERJ3GEY0R00V	Chip, 0 Ω 1/16W	
J3	ERJ3GEY0R00V	Chip, 0 Ω 1/16W	
J7	ERJ3GEY0R00V	Chip, 0 Ω 1/16W	
R1	ERJ3GEYJ152V	Chip, 1.5k Ω 1/16W	
R2	ERJ3GEYJ122V	Chip, 1.2k Ω 1/16W	
R3	ERJ3GEYJ331V	Chip, 330 Ω 1/16W	

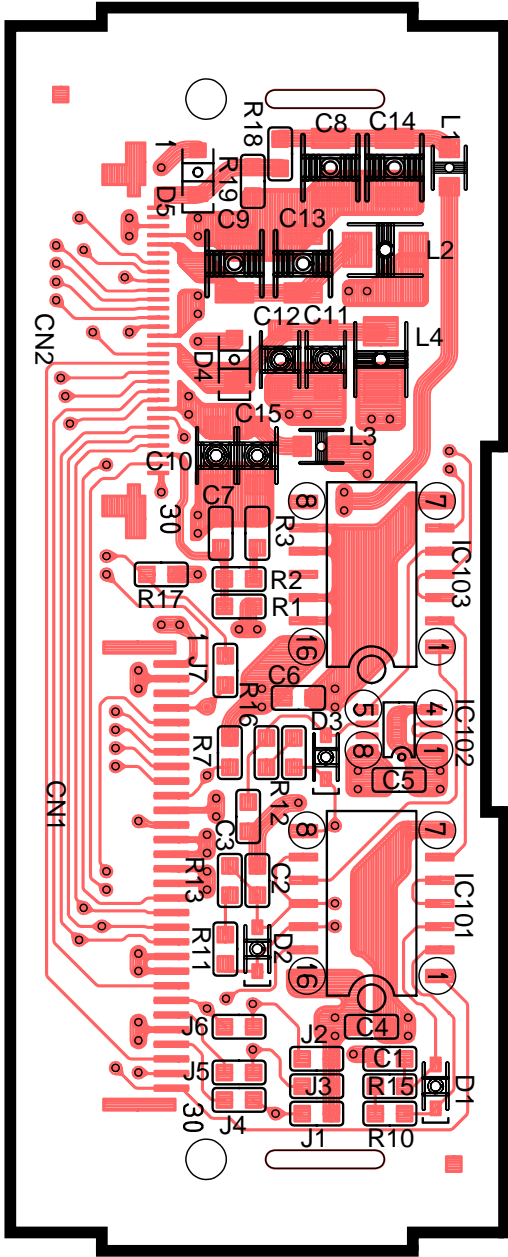
Ref. No.	Part No.	Part Name & Description	Remarks
R7	ERJ3GEYJ912V	Chip, 9.1k Ω 1/16W	
R10	ERJ3GEYJ222V	Chip, 2.2k Ω 1/16W	
R11	ERJ3GEYJ152V	Chip, 1.5k Ω 1/16W	
R12	ERJ3GEYJ102V	Chip, 1k Ω 1/16W	
R13	ERJ3GEYJ221V	Chip, 220 Ω 1/16W	
R15	ERJ3GEYJ391V	Chip, 390 Ω 1/16W	
R16	ERJ3GEYJ561V	Chip, 560 Ω 1/16W	
R18	ERJ3GEYJ821V	Chip, 820 Ω 1/16W	
R19	ERJ3GEYJ822V	Chip, 8.2k Ω 1/16W	
R51	ERJ6GEYJ471	Chip, 470 Ω 1/10W	
CONNECTORS			
CN1	YEAE5FR30R1E	Connector, 30P	
CN2	YEAE5243730	Connector, 30P	
CN51	K1KA03A00153	Connector, 3P	
COILS			
L1	YELTBLM21A10	Coil	
L2	G1C101R00009	Coil	
L3	YELTBLM21A10	Coil	
L4	G1C100R00005	Coil	
Mechanical Parts			
MISCELLANEOUS			
AP1	YEAP2777B	FPC, 30P	
EX1	EDTCA40QA0	LCD	
M1	L6FAGB9D0004	DC Motor	
CNP1	K9ZZ00000836	Connector, 30P	
CNP2	K1HB039D0003	Connector, 3P	
1	YEFA05801	Bottom Cover	
2	YEFX9992523	Drawing PCB Ass'y	
3	A4LBHF000005	Back Light	
4	YEFX9992668	Conductive Tape	
5	YEFX0215135A	Bracket	
6	YEFX0215166	Bracket, GND	
7	YEFV012083	Insulator	
8	YEFA07544	Front Plate Ass'y	
9	YEF5011823	Pad	
10	YEF5011762	Pad	
11	YEFJ011878	Ornament Plate	
12	YEP0PT9000B0	PCB w/Component	RTL
20	YEJS06119	Screw, M2.6x4mm	
21	YEJS06027	Screw, M3x4mm	
22	YEJT03007	Screw, M3x5mm	
23	YEJT03015	Tapping Screw, M3x6mm	
24	XSB3+16FX	Screw, M3x16mm	
25	XSB2+3FX	Screw, M2x3mm	
26	XTB26+4FFX	Tapping Screw, M2.6x4mm	

8 EXPLODED VIEW (Unit)

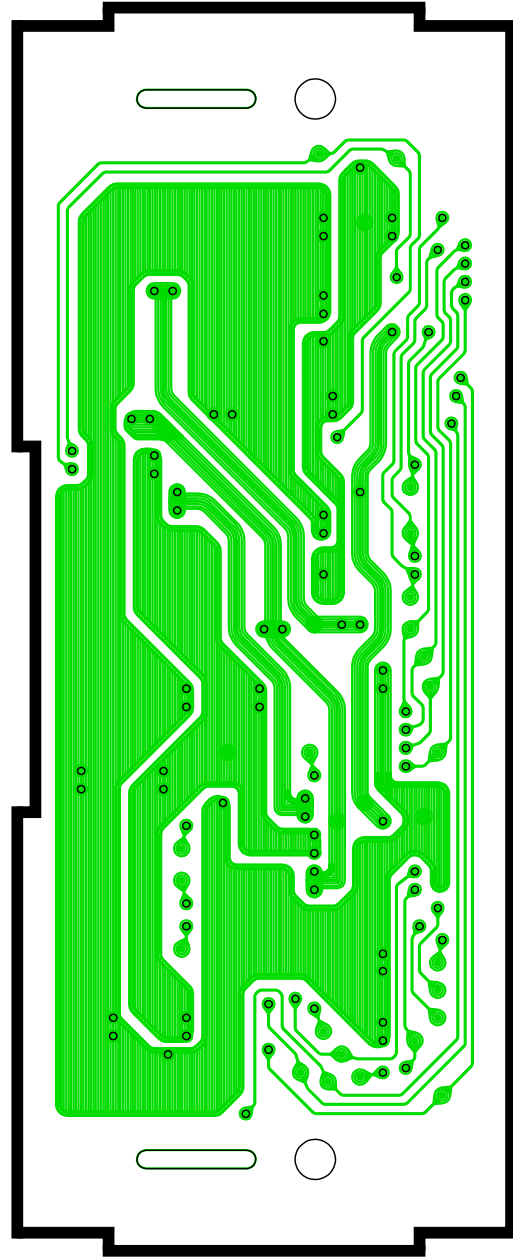


9 WIRING DIAGRAM

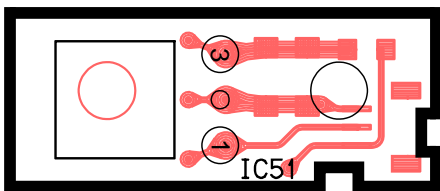
9.1. Main / Photo Sensor Block



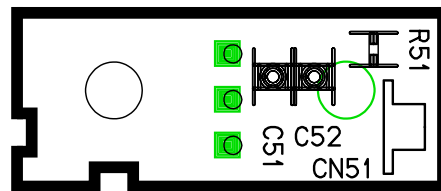
[E-9000a][Top View]



[E-9000a][Bottom View]



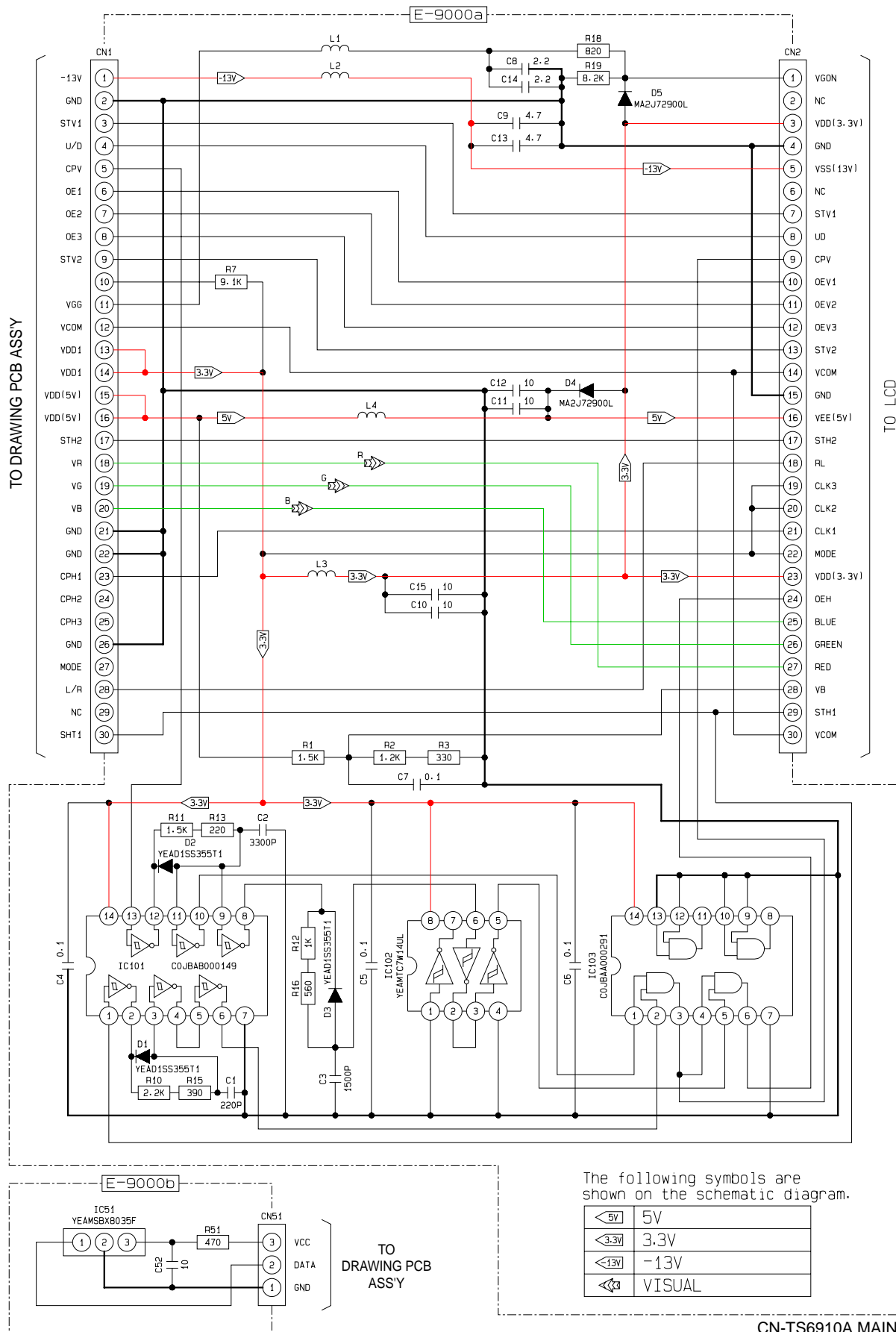
[E-9000b][Top View]



[E-9000b][Bottom View]

10 SCHEMATIC DIAGRAM

10.1. Main Block



PARTS AVAILABILITY

HOW TO ORDER REPLACEMENT PARTS

Replacement parts can be ordered from either a Parts Depot or directly from Toyota Motor Corporation. When ordering, please refer to the Replacement Parts List in this service manual to insure that you receive the correct part. Please enter not only part number(s) but also unit number of TOYOTA car radio / car stereo in a REMARKS column of the order sheet.

DISPONIBILIDAD DE PARTES DE REPUESTO

METODO DE HACER PEDIDOS DE PARTES DEREPUETO

Partes de repuesto pueden pedirse tanto a un Depósito de Partes de Repuesto (Parts Depot) como directamente a la Toyota Motor Corporation. En hacer los pedidos, refiérase a la Lista de Partes de Repuesto que se encuentra en este manual de servicio a fin de asegurarse de su recibo de las partes correctas.

Favor llenar la columna OBSERVACIONES de la hoja de pedido no solamente con el (los) número(s) de part(s) sino también con el número de la unidad de radio/estéreo de carro, TOYOTA.

DISPONIBILITE DE PIECES

MOYEN DE COMMANDER DES PIECES DE RECHANGE.

Les pièces de rechange seront commandées au Dépôt de Pièces (Parts Depot) ou directement à Toyota Motor Corporation. Lors d'une commande, veuillez consulter le Liste de pièces de rechange dans ce manuel d'atelier pour être sûr que vous recevez la pièce exacte. Veuillez écrire non seulement le(s) numéro(s) de pièce mais aussi le numéro d'unité de TOYOTA auto-radio/auto-stéréo dans la colonne REMARQUES du bulletin de commande.

TOYOTA PARTS AND ACCESSORIES ORDER										PAGE NO _____ OF _____																		
TO OVERSEAS PARTS DEPARTMENT TOYOTA MOTOR CORPORATION NAGOYA, JAPAN										DATE _____																		
<input type="checkbox"/> WEEKLY AIR ORDER					<input type="checkbox"/> EMERGENCY AIR ORDER					B O ORDER NO _____ <h1 style="font-size: 2em; margin: 0;">AIR FREIGHT</h1>																		
<input type="checkbox"/> NEW PARTS ORDER FOR MODEL: _____					<input type="checkbox"/> PRINTED MATTER																							
<input type="checkbox"/> OTHERS: _____																												
TOYOTA'S COLUMNS	1	CD		3	4	DIST F/D CODE				10	11	ORDER NO		18	19	H/I												
↓	D	A 5		9								2																
↓	20	ITEM NO	23	24	PART NO				38	39	QTY	44	45	TRF	47	48	LOCATION	55	56	指定価格		64	65	引当指示日	70	REMARKS		
↓					YEFC021421																						86120-32040	
↓					TOYOTA'S COLUMNS																							

U.S.A. ————— PANASONIC PARTS DEPOT

EASTERN REGIONAL PARTS DEPOT
1225 NORTHBROOK PARKWAY SUITE 2-400
SUWANEE, GA 30174
PHONE : (404) 388-6800

WESTERN REGIONAL PARTS DEPOT
20421 84TH AVE. SOUTH
KENT, WA 98032
PHONE : (206)-395-7343

CANADA ————— PANASONIC PARTS DEPOT

TRONTO
PANASONIC CANADA INC.
5770 AMBLER DRIVE, MISSISSAUGA, ONTARIO L4W 2T3
PHONE : (905)-624-5010

EUROPE ————— PANASONIC PARTS DEPOT

HAMBURG
PANASONIC SERVICE DEUTSCHLAND G.M.B.H.
2000 HAMBURG 28 AUSSCHLAGER BILLDEICH 32 F.R. GERMANY
PHONE : (040)-789511

SCANDINAVIA ————— PANASONIC PARTS DEPOT

STOCKHOLM
PANASONIC SERVICE SCANDINAVIAN A.B.
INSTRUMENTVAGEN 29-31, BOX 43047,
100 72 STOCKHOLM, SWEDEN
PHONE : 08-190180

AUSTRALIA ————— PANASONIC PARTS DEPOT

SYDNEY
PANASONIC AUSTRALIA PTY, LTD
1 GARIGAL ROAD, BELROSE, N.S.W. 2085
PHONE : (02)-986-7640

MELBOURNE
PANASONIC AUSTRALIA PTY, LTD
1 CARIBBEAN DRIVE, SCORESBY VIC. 3179
PHONE : (03)-213-8888

ADELAIDE
PANASONIC AUSTRALIA PTY, LTD
125 PORT ROAD, HINDMARSH S.A. 5007
PHONE : (08)-346-3999

BRISBANE
PANASONIC AUSTRALIA PTY, LTD
494 NUDGE ROAD, HENDRA QUEENSLAND. 4012
PHONE : (07)-268-6455

PERTH
PANASONIC AUSTRALIA PTY, LTD
37 KEWDALE ROAD, WELSHPOOL, W.A. 6106
PHONE : (09)-451-7211

OTHER COUNTRIES

Please order from the Overseas Parts Department, Toyota Motor Corporation, using the normal Parts & Accessories Order Form for ordering Automobile parts.

OTROS PAISES

Favor hacer pedidos al Departamento Partes al Ultramar (Overseas parts Department), Toyota Motor Corporation utilizando el formulario normal de pedido de partes y accesorios que se usa para pedir las partes de repuestos de automóviles.

AUTRES PAYS

Veillez commandes au département de pièces d'outre-mer (Overseas Parts Department), Toyota Motor Corporation, en vous servant du Bulletin de Commande Pièces & Accessoires pour des commandes de pièces d'automobile.



TOYOTA MOTOR CORPORATION

OVERSEAS SERVICE DIVISION

Printed in Japan (S)
2001.7
(Recycled Paper)