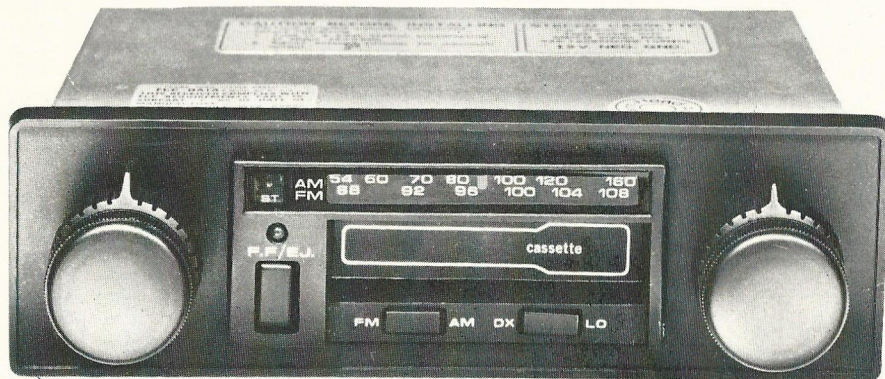


INSTRUCTION MANUAL FOR

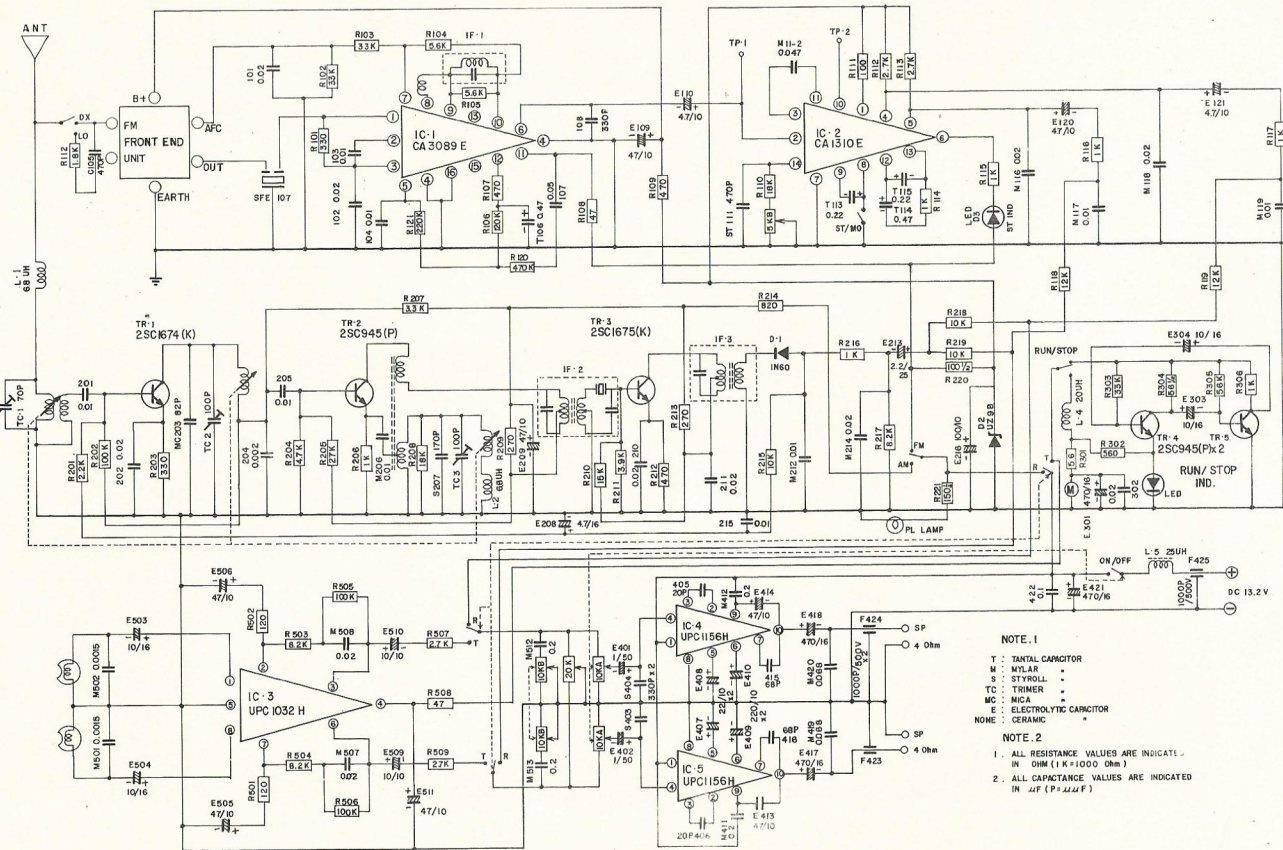
IN-DASH CAR STEREO CASSETTE TAPE PLAYER

with AM/FM/FM STEREO RADIO

Model C-215



SCHEMATIC CIRCUIT DIAGRAM



NOTE. 1

T : TANTAL CAPACITOR
 M : MTLR
 S : STYROL.
 T : TEMER
 MC : MICA
 m.m. : ELECTROLYTIC CAPACITOR
 NONE : CERAMIC

NOTE. 2

1. ALL RESISTANCE VALUES ARE INDICATED IN OHM (1K=1000 Ohm)
2. ALL CAPACITANCE VALUES ARE INDICATED IN μ F (P=PIEF)