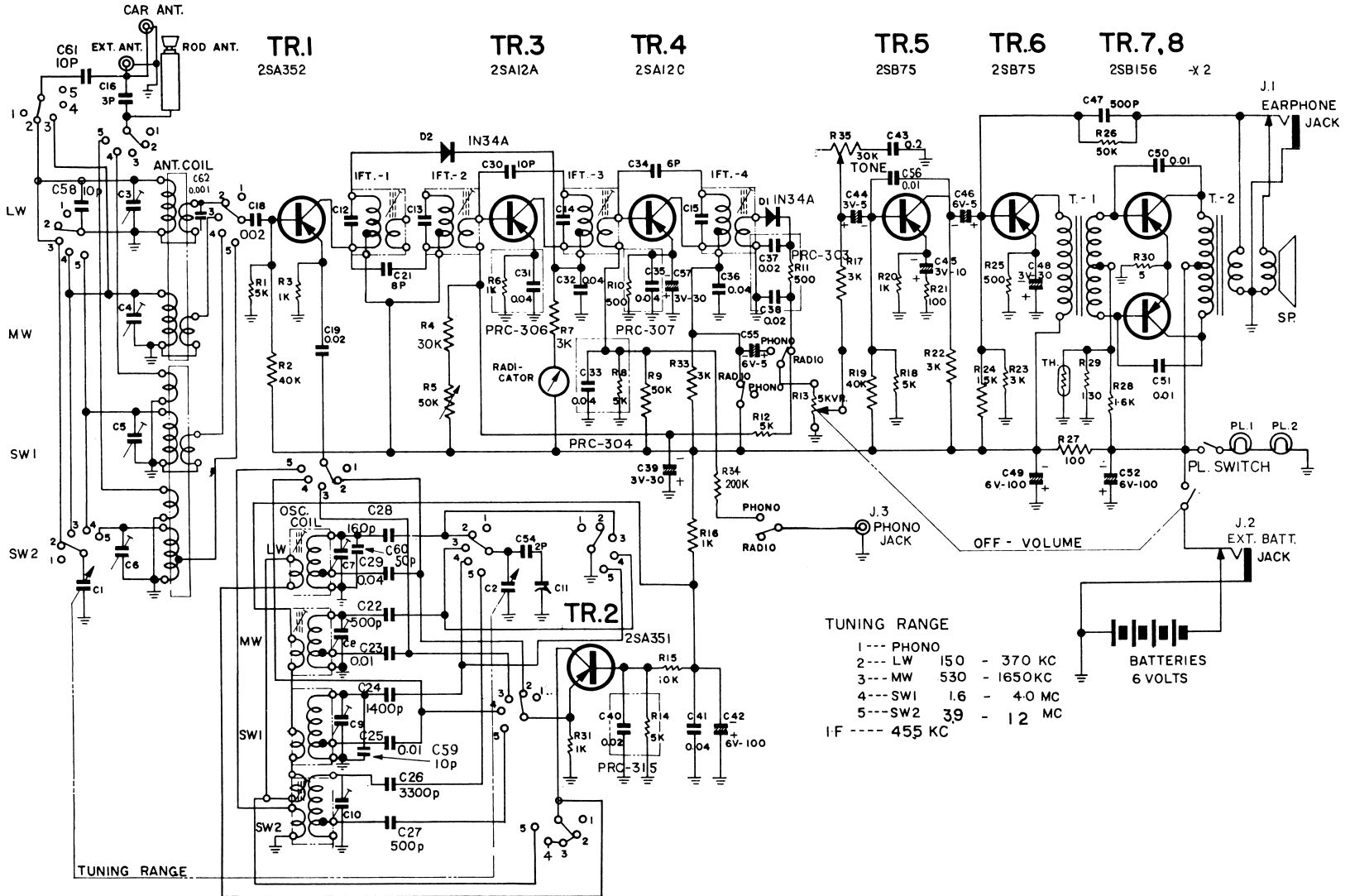


# SCHEMATIC DIAGRAM

SHARP BZL-580

TRANSISTOR COMPLEMENT

TR NO.	REF. NO	VOLTAGE		
		BASE	EMITT	COLLECT
TR 1	2SA-351B (OSC)	1.30	1.20	4.2
TR 2	2SA-352B (MIX)	0.64	0.6	5.5
TR 3	2SA-12A (IF-1)	0.55	0.40	4.5
TR 4	2SA-12C (IF-2)	0.60	0.50	3.73
TR 5	2SB-75B (AF-1)	0.55	0.45	4.1
TR 6	2SB-75B (AF-2)	0.80	0.70	5.4
TR 7,8	2SB-156A (OUT-PUT) x 2	0.2	0.02	6.0

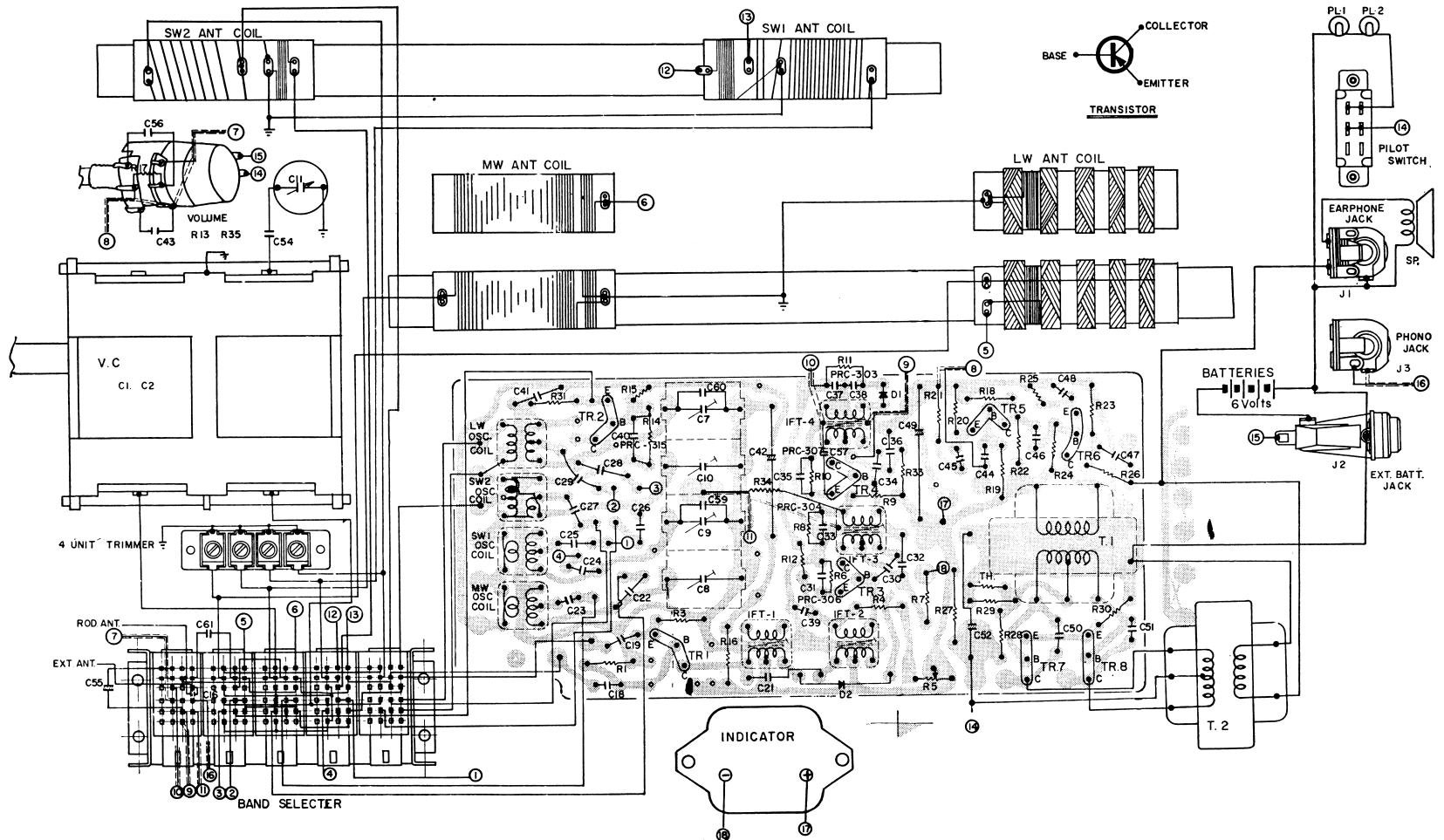


TUNING RANGE

- 1 --- PHONO 150 - 370 KC
- 2 --- LW 530 - 1650KC
- 3 --- MW 1.6 - 4.0 MC
- 4 --- SW1 39 - 12 MC
- 5 --- SW2 455 KC

BATTERIES  
6 VOLTS

# BOTTOM VIEW OF PRINTED CIRCUIT BOARD



SHARP BZL-580