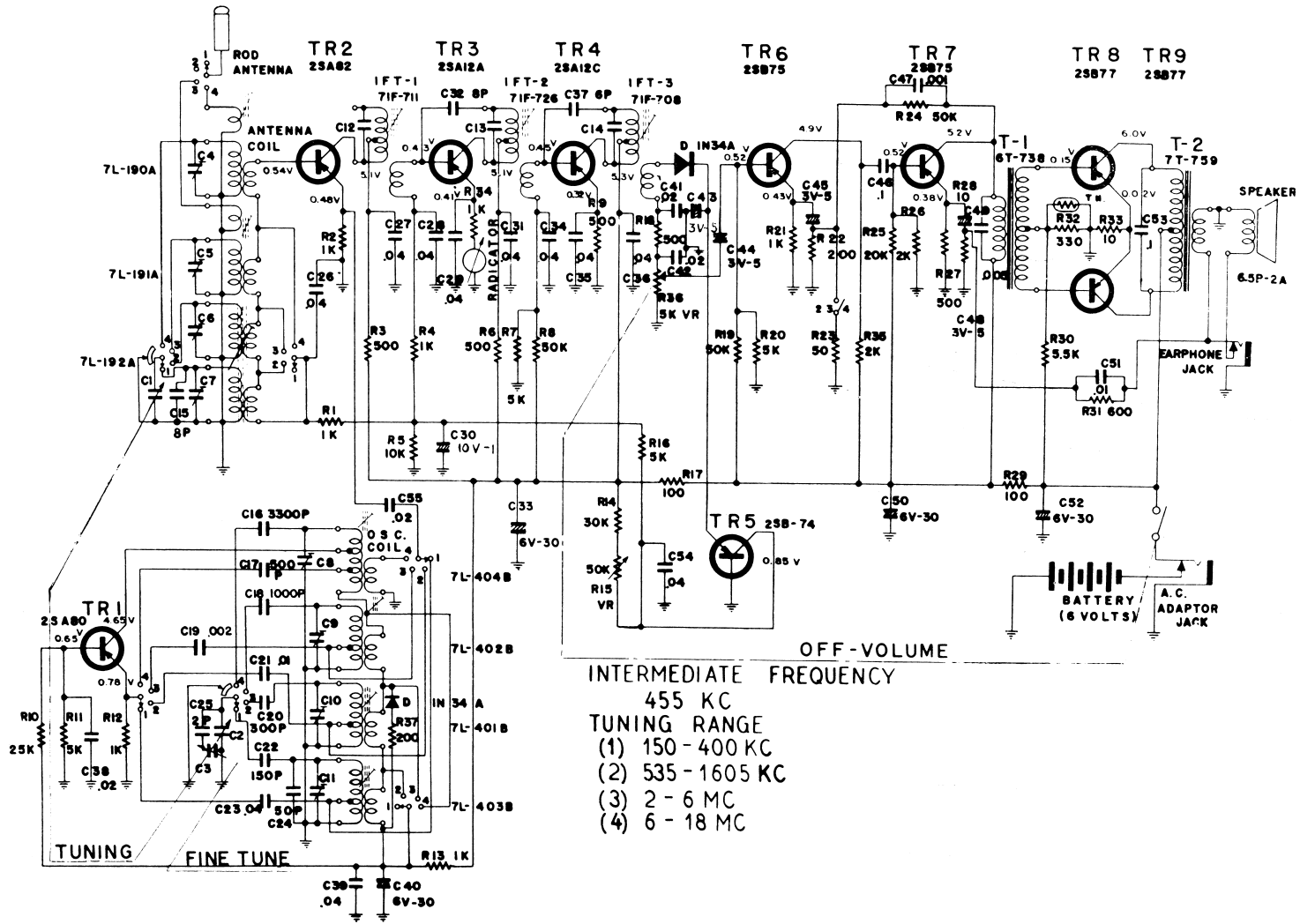


SCHEMATIC DIAGRAM



BOTTOM VIEW OF PRINTED CIRCUIT BOARD

