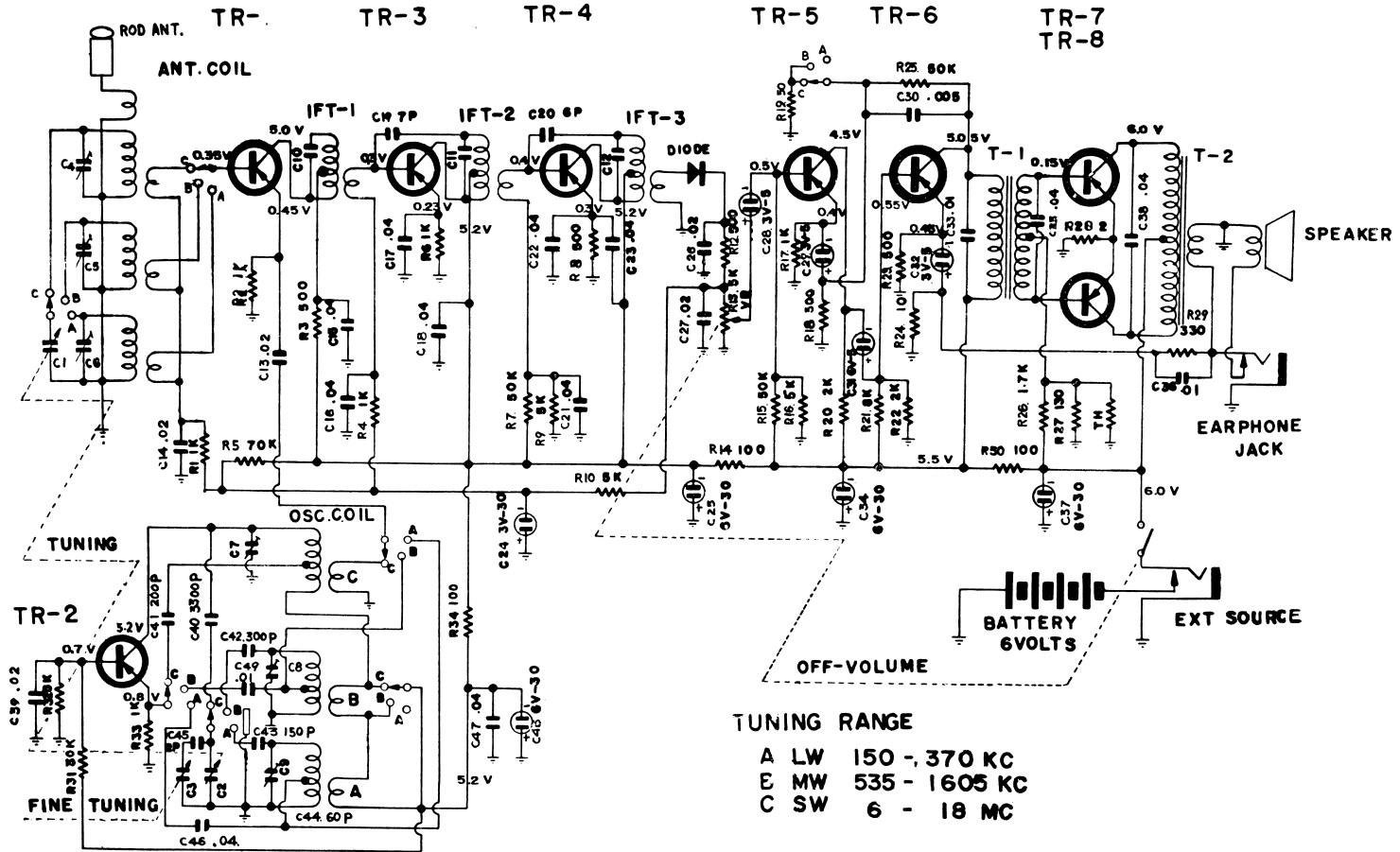


SCHEMATIC DIAGRAM



TUNING RANGE

A LW	150 - 370 KC
E MW	535 - 1605 KC
C SW	6 - 18 MC