

MISCELLANEOUS

M-1	Meter—1 Ma. (Indicate all numbers and letters following ME13 on meter face) Cal. F/Alum. Panel. .320-003-9-002	
D-1, 2 D-3, 4	Silicon Diode 50 Volt P.I.V. 500 ma.....	112-500-0-501
SR-1 SR-2		Silicon Diode 500 P.I.V. 500 ma..... 112-501-0-501
	Case with Handle.....	ASM-B-110
	Complete Printed Circuit Assembly, Less Tubes.....	ASM-B-107
	3' Red Test Prod Lead.....	ASM-127
	Two Red and Two Black Test Leads (Alligator Clips)	ASM-128
	Transistor Test Socket w/Ring.....	749-030-9-001
	Transistor Test Clips.....	741-009-9-001
	Red Transistor Clip Insulator.....	346-006-9-001
	Black Transistor Clip Insulator.....	346-006-9-002
	Blue Transistor Clip Insulator.....	346-006-9-003
	Yellow Transistor Clip Insulator.....	346-006-9-004
	Rubber Feet for Case.....	381-008-9-001
	Red Test Jack (Banana)	774-001-9-001
	Black Test Jack (Banana)	774-001-9-002
	"Selector" Knob	751-002-9-001
	"RF-IF Tuning" Knob.....	ASM-B-109
	"PNP-NPN" Knob	751-002-9-002
	"VTVM and Level" Knobs.....	751-002-9-003
V-1 V-2	12AU7 Tubes	235-120-1-217
		6 Ft. Line Cord.....
	Carton and Fillers (503-015-9-001).....	500-089-9-001
	Instruction Manual	480-031-9-001
	Schematic and Parts List.....	488-029-9-001

(Prices Subject to Change Without Notice)

NOTE: Standard value resistors and capacitors are not listed.

Values can be obtained from schematic diagram.

Orders will be shipped C.O.D. unless previous open account arrangements have been made or remittance accompanies order. Advance remittance must cover postage or express charges.

Specify Serial Number When Ordering Replacement Parts

CAPACITORS

C-1 C-2 C-17	500 MFD @ 25V Tubular Pigtail Electrolytic Cap....	022-005-9-001	
C-4 C-16		1.0 MFD @ 200V, ± 20% Paper Tubular Cap.	026-201-7-105
C-11			11.4 —299.5 MMF Variable Dual Capacitor with Trimmer (R.F.-I.F. Tuning)
C-13	10 MFD @ 175V Printed Circuit Mounting Electrolytic Cap.	021-002-9-001	
C-14	20 MFD @ 150V Pigtail Tubular Electrolytic Cap....	021-007-9-001	

RESISTORS—CONTROLS

R-1	30.2K Ohm ½ Watt ± 1% Deposited Carbon Resistor.....	004-024-9-001
R-14	123.5 Ohm ½ Watt ± 1% Deposited Carbon Resistor.....	004-025-9-001
R-17	1.5 Ohm ½ Watt ± 5% W. W. Resistor.....	006-102-5-159
R-18	50K Ohms ¼ Watt Potentiometer (Ohms Adj.)	008-001-9-006
R-19 R-22	Dual Control: 3K Ohm ¼ Watt Potentiometer (in Circuit Meter Set) and 1K Ohm ¼ Watt Potentiometer (VTVM Zero Adj.)	008-031-9-001
R-20 R-21		Dual Control with Switch, 100 Ohm ¼ Watt Potentiometer (RF Level), 50K Ohm ¼ Watt Potentiometer (Audio Level) and S.P. S.T. Modulation "On-Off" Switch.....
SW-5		
R-23	3K Ohm ¼ Watt Potentiometer (D.C. Cal.) (Internal)	008-039-9-001
R-29	1 Megohm ½ Watt ± 1% Deposited Carbon Resistor.....	002-102-3-105

SWITCHES

SW-1	"Selector" Switch	083-029-9-001
SW-2	"PNP-NPN" Switch	083-031-9-001
SW-3	"Leakage-Beta" Switch	084-001-9-002
SW-4	"RF-Off" Band Switch.....	084-001-9-003

TRANSFORMERS—COILS

T-1	Power Transformer	065-020-9-001
T-2	Aud.-Osc. Mod. Output Transformer.....	064-006-9-001
L-1	750 UH Low Band Osc. Coil, "A".....	041-002-9-001
L-2	115 UH High Band Osc. Coil, "B"	041-003-9-001

EVERYTHING 4 LESS

ENJOY YOUR BOOKS

PLEASE VISIT OUR STORE FOR EVEN MORE GREAT STUFF!

WWW.EVERYTHING4LESSSTORE.COM

COPYRIGHT NOTICE

ALL MATERIALS INCLUDING CD/DVD AND PDF FILES ARE COPYRIGHTED

WWW.EVERYTHING4LESSSTORE.COM VON WALTHOUR PRODUCTIONS AND MAY NOT BE REPRODUCED, COPIED OR RESOLD UNDER ANY CIRCUMSTANCES. YOU MAY HOWEVER MAKE A COPY FOR YOUR OWN PERSONAL BACKUP. MATERIALS ARE FOR PERSONAL USE ONLY.

IF YOU PURCHASED THIS FROM ANYWHERE BUT FROM US PLEASE NOTIFY US IMMEDIATELY SO THAT WE MAY CHECK IF YOU PURCHASED FROM AN AUTHORIZED RESELLER SO WE CAN LET YOU KNOW IF YOU NEED TO RETURN FOR FULL REFUND FROM AN UNAUTHORIZED SELLER.

THANKS AGAIN AND PLEASE TAKE THE TIME TO VISIT OUR STORE.

ATTENTION! EVERYTHING ON SALE NOW!!



HOT SALE!

EVERYTHING 4 LESS



ENJOY YOUR BOOKS



PLEASE VISIT OUR STORE FOR EVEN MORE GREAT STUFF!

WWW.EVERYTHING4LESSSTORE.COM

COPYRIGHT NOTICE

ALL MATERIALS INCLUDING CD/DVD AND PDF FILES ARE COPYRIGHTED

WWW.EVERYTHING4LESSSTORE.COM VON WALTHOUR PRODUCTIONS AND MAY NOT BE REPRODUCED, COPIED OR RESOLD UNDER ANY CIRCUMSTANCES. YOU MAY HOWEVER MAKE A COPY FOR YOUR OWN PERSONAL BACKUP. MATERIALS ARE FOR PERSONAL USE ONLY.

IF YOU PURCHASED THIS FROM ANYWHERE BUT FROM US PLEASE NOTIFY US IMMEDIATELY SO THAT WE MAY CHECK IF YOU PURCHASED FROM AN AUTHORIZED RESELLER SO WE CAN LET YOU KNOW IF YOU NEED TO RETURN FOR FULL REFUND FROM AN UNAUTHORIZED SELLER.

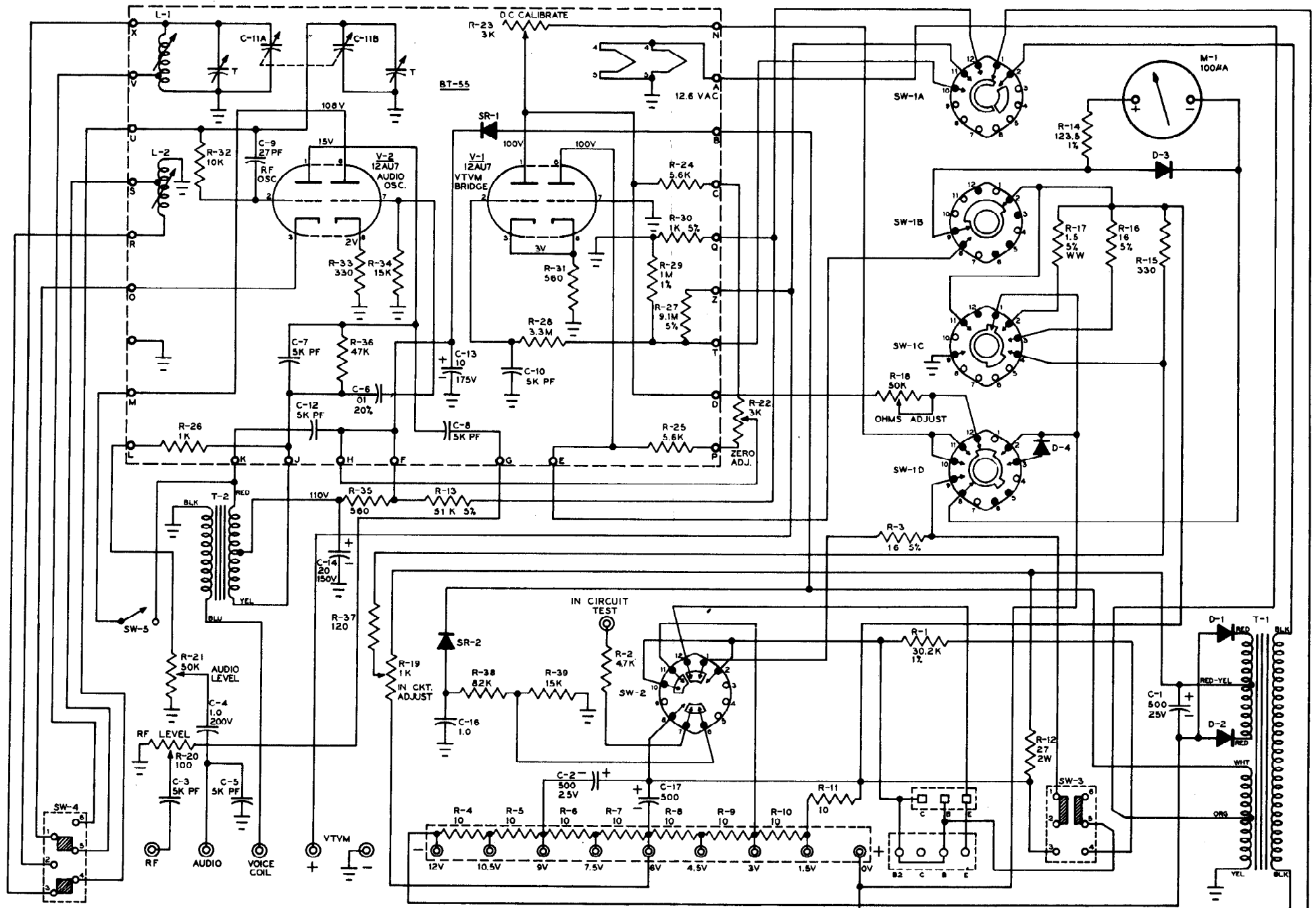
THANKS AGAIN AND PLEASE TAKE THE TIME TO VISIT OUR STORE.

ATTENTION! EVERYTHING ON SALE NOW!!



HOT SALE!

**THIS PAGE COPYRIGHT VON WALTHOUR PRODUCTIONS
WWW.EVERYTHING4LESSSTORE.COM**



ALL RESISTORS IN OHMS, 1/2W, 10% UNLESS OTHERWISE SPECIFIED.
 ALL CAPACITORS IN MFD, 10% UNLESS OTHERWISE SPECIFIED.
 ALL SWITCHES VIEWED IN POSITION ONE.

B&K MANUFACTURING COMPANY
 TRANSISTOR RADIO ANALYST
 MODEL 960 PM-273C
 488-029-9-001

117 VAC
 50/60 CP S